

**PLEASE CHECK WWW.MOLEX.COM FOR LATEST PART INFORMATION**

**Part Number:** [52559-3052](#)  
**Status:** **Active**  
**Overview:** FFC-FPC (SMT)  
**Description:** Easy-On™ Type FFC/FPC Connector, Vertical, SMT, ZIF, 30 Circuits, Lead-Free, Gold (Au) Contact Plating, High Barrier Packaging

**Documents:**

|  |  |
|--|--|
| <a href="#">3D Model</a>                                 | <a href="#">Application Specification AS-52559-001 (PDF)</a> |
| <a href="#">Drawing (PDF)</a>                            | <a href="#">Packaging Specification SPK-52559-003 (PDF)</a>  |
| <a href="#">Product Specification PS-52559-013 (PDF)</a> | <a href="#">RoHS Certificate of Compliance (PDF)</a>         |

**Agency Certification**

UL E29179

**General**

|                |                               |
|----------------|-------------------------------|
| Product Family | FFC/FPC Connectors            |
| Series         | <a href="#">52559</a>         |
| Overview       | <a href="#">FFC-FPC (SMT)</a> |
| Product Name   | Easy-On™                      |
| UPC            | 822348533763                  |

**Physical**

|                                |                       |
|--------------------------------|-----------------------|
| Circuits (Loaded)              | 30                    |
| Contact Position               | N/A                   |
| Durability (mating cycles max) | 20                    |
| Entry Angle                    | Vertical              |
| Flammability                   | 94V-0                 |
| Mated Height                   | 3.90mm                |
| Material - Metal               | Phosphor Bronze       |
| Material - Plating Mating      | Gold                  |
| Material - Plating Termination | Tin                   |
| Material - Resin               | Nylon                 |
| Net Weight                     | 370.072/mg            |
| Number of Rows                 | 1                     |
| Orientation                    | Vertical              |
| PCB Locator                    | No                    |
| PCB Retention                  | Yes                   |
| Packaging Type                 | Embossed Tape on Reel |
| Pitch - Mating Interface       | 0.50mm                |
| Polarized to PCB               | No                    |
| Stackable                      | No                    |
| Temperature Range - Operating  | -40°C to +85°C        |
| Termination Interface: Style   | Surface Mount         |
| Wire/Cable Type                | FFC/FPC               |

**Electrical**

|                               |                 |
|-------------------------------|-----------------|
| Current - Maximum per Contact | 0.5A            |
| Voltage - Maximum             | 50V AC (RMS)/DC |

**Material Info**

**Reference - Drawing Numbers**

|                           |   |
|---------------------------|---|
| Application Specification | AS-52559-001  |
| Packaging Specification   | SPK-52559-003   |
| Product Specification     | PS-52559-013, RPS-52559-062, RPS-52559-064, RPS-52559-068, RPS-52559-070, RPS-52559-072, RPS-52559-089, RPS-52559-092 |

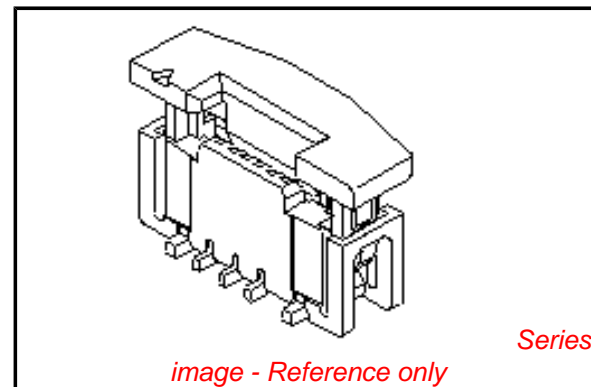


image - Reference only

**EU RoHS**

**ELV and RoHS Compliant**  
**REACH SVHC Contains SVHC: No**  
**Low-Halogen Status Not Low-Halogen**

**China RoHS**



**Need more information on product environmental compliance?**

Email [productcompliance@molex.com](mailto:productcompliance@molex.com)  
 For a multiple part number RoHS Certificate of Compliance, [click here](#)

Please visit the [Contact Us](#) section for any non-product compliance questions.

**Search Parts in this Series**

[52559Series](#)

This document was generated on 03/26/2014

**PLEASE CHECK [WWW.MOLEX.COM](http://WWW.MOLEX.COM) FOR LATEST PART INFORMATION**