

54011-1 ✓ ACTIVE

AMP | AMP CPC

TE Internal #: 54011-1

Circular Connector Seals, Cable Seal, Cable-to-Cable, .9375-20  
UNEF-2B, Sealable, Wire & Cable, Cable Mount (Free-Hanging),  
AMP CPC

[View on TE.com >](#)



Connectors > Circular Connectors > Circular Connector Accessories > Circular Connector Seals > HEAT SHRINK STRAIN RELIEFS-CPC



Connector Seal Type: **Cable Seal**

Connector System: **Cable-to-Cable**

Accepts Cable Diameter Range: **10.16 – 22.22 mm [ .4 – .875 in ]**

Screw & Hole Thread Size: **.9375-20 UNEF-2B**

Sealable: **Yes**

[All HEAT SHRINK STRAIN RELIEFS-CPC \(7\)](#)

## Features

### Product Type Features

Connector Seal Type	Cable Seal
Connector System	Cable-to-Cable
Sealable	Yes
Connector & Contact Terminates To	Wire & Cable

### Body Features

Color	Black
-------	-------

### Mechanical Attachment

Screw & Hole Thread Size	.9375-20 UNEF-2B
Connector Mounting Type	Cable Mount (Free-Hanging)

### Dimensions

Accepts Cable Diameter Range	10.16 – 22.22 mm [.4 – .875 in]
------------------------------	---------------------------------

### Usage Conditions



Operating Temperature Range	-55 – 110 °C[-67 – 230 °F]
-----------------------------	----------------------------

### Packaging Features

Packaging Quantity	50
Packaging Method	Carton

### Product Compliance

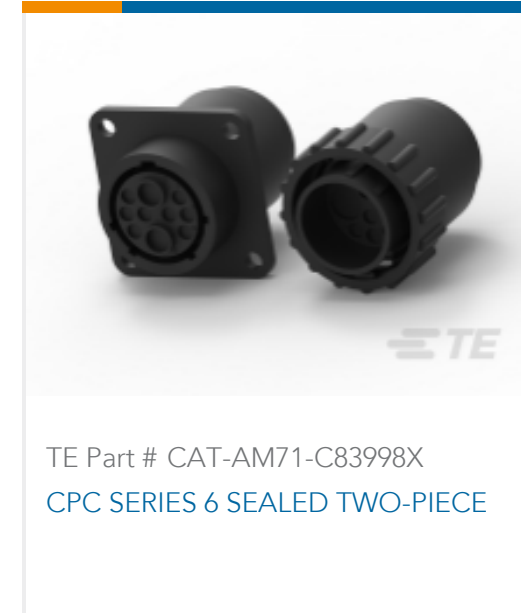
[For compliance documentation, visit the product page on TE.com>](#)

EU RoHS Directive 2011/65/EU	Compliant
EU ELV Directive 2000/53/EC	Compliant
China RoHS 2 Directive MIIT Order No 32, 2016	No Restricted Materials Above Threshold
EU REACH Regulation (EC) No. 1907/2006	Current ECHA Candidate List: JUNE 2022 (224) Candidate List Declared Against: JAN 2022 (223) SVHC > Threshold: Not Yet Reviewed
Halogen Content	Low Halogen - Br, Cl, F, I < 900 ppm per homogenous material. Also BFR/CFR/PVC Free
Solder Process Capability	Not applicable for solder process capability

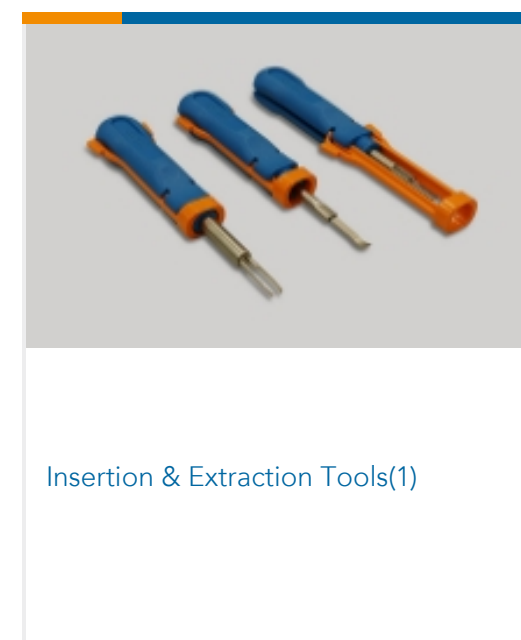
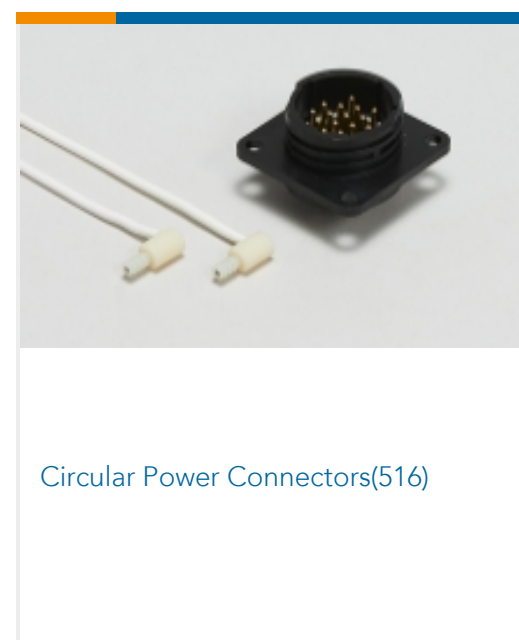
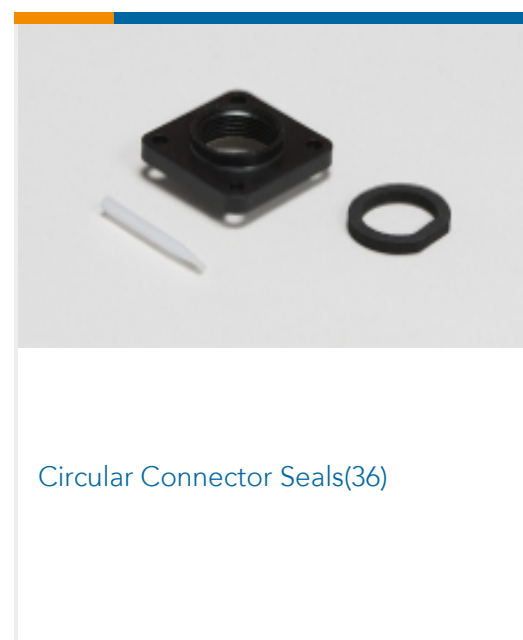
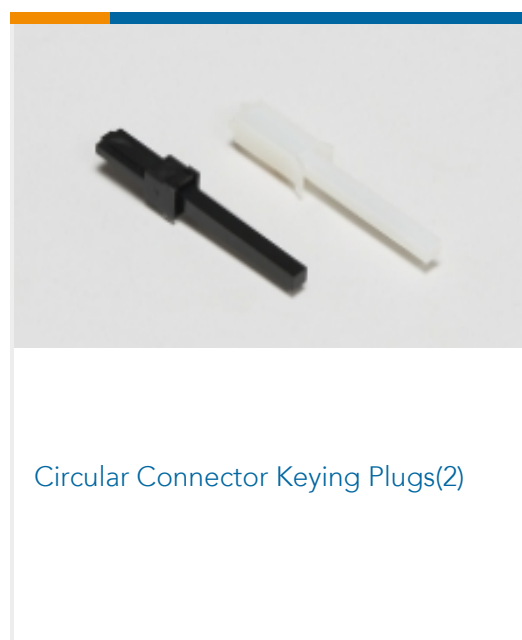
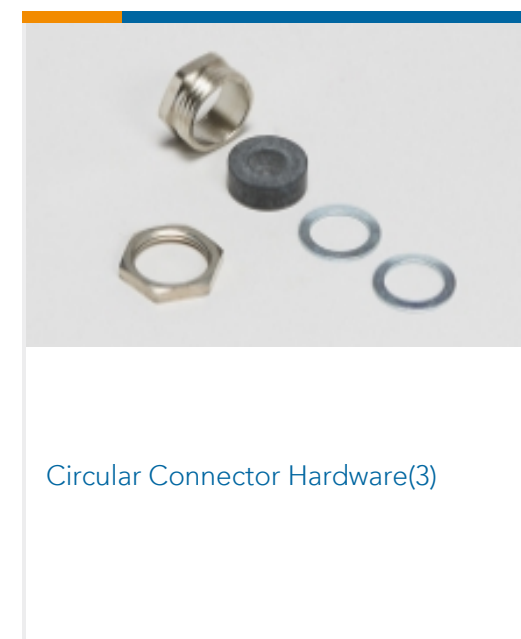
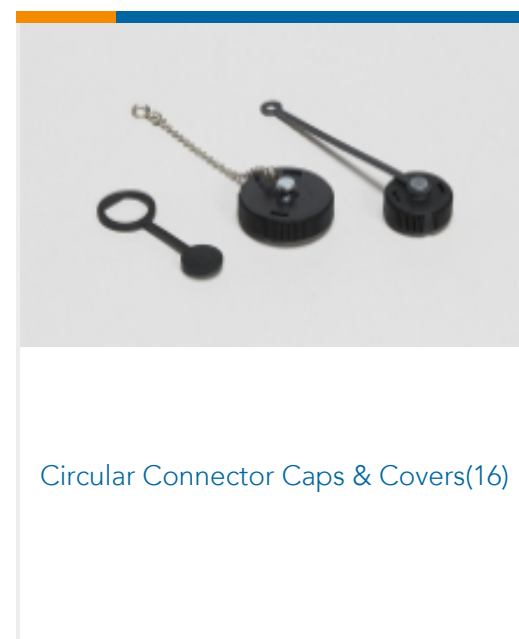
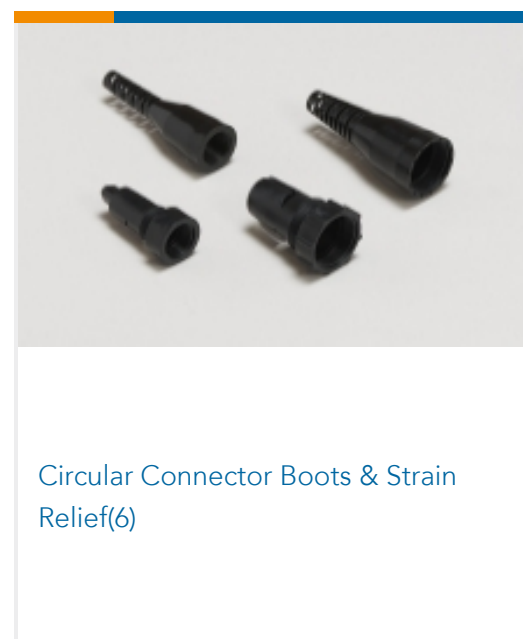
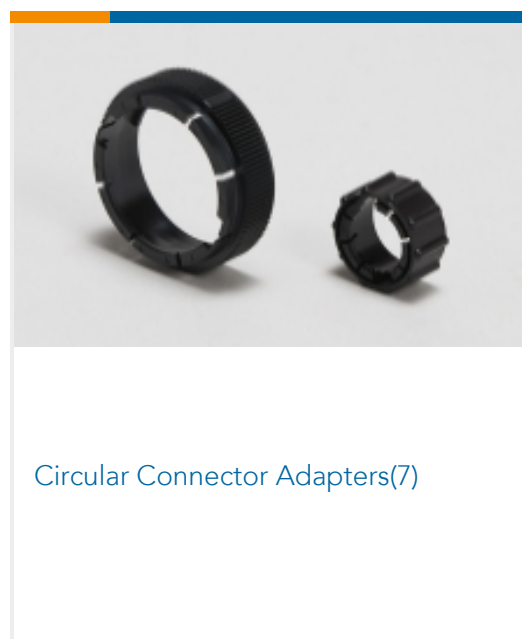
#### Product Compliance Disclaimer

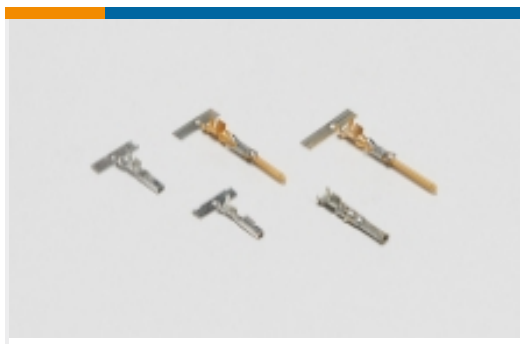
This information is provided based on reasonable inquiry of our suppliers and represents our current actual knowledge based on the information they provided. This information is subject to change. The part numbers that TE has identified as EU RoHS compliant have a maximum concentration of 0.1% by weight in homogenous materials for lead, hexavalent chromium, mercury, PBB, PBDE, DBP, BBP, DEHP, DIBP, and 0.01% for cadmium, or qualify for an exemption to these limits as defined in the Annexes of Directive 2011/65/EU (RoHS2). Finished electrical and electronic equipment products will be CE marked as required by Directive 2011/65/EU. Components may not be CE marked. Additionally, the part numbers that TE has identified as EU ELV compliant have a maximum concentration of 0.1% by weight in homogenous materials for lead, hexavalent chromium, and mercury, and 0.01% for cadmium, or qualify for an exemption to these limits as defined in the Annexes of Directive 2000/53/EC (ELV). Regarding the REACH Regulation, the information TE provides on SVHC in articles for this part number is based on the latest European Chemicals Agency (ECHA) 'Guidance on requirements for substances in articles' posted at this URL: <https://echa.europa.eu/guidance-documents/guidance-on-reach>

### Compatible Parts

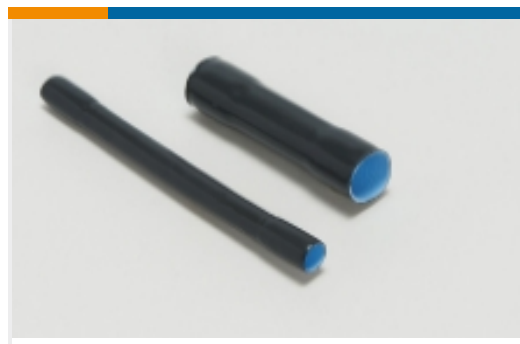


Also in the Series | AMP CPC





Power Contacts(6)



Sealing Sleeves(2)



Unscreened Circular Connector Backshells & Clamps(5)

## Customers Also Bought



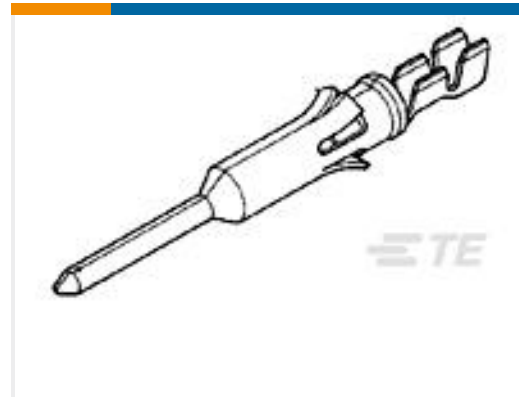
TE Part #205840-3  
CPC SERIES 2



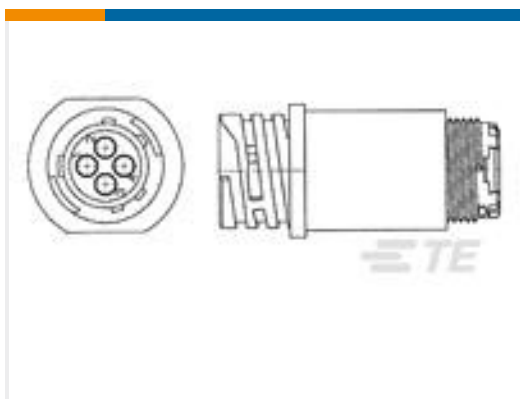
TE Part #86657-2  
FFC RECPT CONTACT-LP



TE Part #962936-1  
MPT REC 9.5 Contact SWS Sn



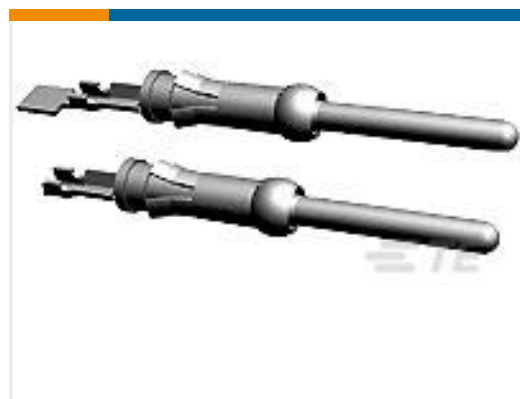
TE Part #66579-7  
TYPE VI PIN,MULTI-MATE



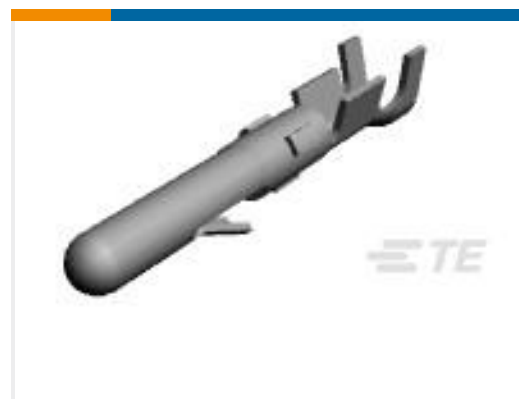
TE Part #796276-1  
SLD CPC RCPT ASSY,17-16,STD SX



TE Part #66180-1  
III+ PIN,SOLDER,30AU,10AU FLASH,LP



TE Part #1-66103-9  
III+ PIN,24-20,TIN,SMPACK



TE Part #61116-7  
CMNL PIN 24-18 AUNIBR



TE Part #2823066-1  
M16 NUT-M12 FRONT PANEL MOUNT CONNECTORS

## Documents

### Product Drawings

[CPC STRAIN RELIEF,SIZE 17](#)

English

### CAD Files

[3D PDF](#)

English

### Customer View Model

[ENG\\_CVM\\_54011-1\\_AB.3d\\_igs.zip](#)



English

**Customer View Model**

[ENG\\_CVM\\_54011-1\\_AB.3d\\_stp.zip](#)

English

**Customer View Model**

[ENG\\_CVM\\_54011-1\\_AB.2d\\_dxf.zip](#)

English

**3D PDF**

3D

**Customer View Model**

[ENG\\_CVM\\_CVM\\_54011-1\\_Z.2d\\_dxf.zip](#)

English

**Customer View Model**

[ENG\\_CVM\\_CVM\\_54011-1\\_Z.3d\\_igs.zip](#)

English

**Customer View Model**

[ENG\\_CVM\\_CVM\\_54011-1\\_Z.3d\\_stp.zip](#)

English

By downloading the CAD file I accept and agree to the [Terms and Conditions](#) of use.

---

### Datasheets & Catalog Pages

[AMP Circular Connectors for Commercial Signal & Power Applications Continued](#)

English

---

### Product Environmental Compliance

[Product Compliance](#)

English

[Product Compliance](#)

English

---

### Instruction Sheets

[Instruction Sheet \(U.S.\)](#)

English

---

### Agency Approvals

[CSA Certificate](#)

English