

5207908-7 ✓ ACTIVE

AMPLIMITE | AMPLIMITE Kit

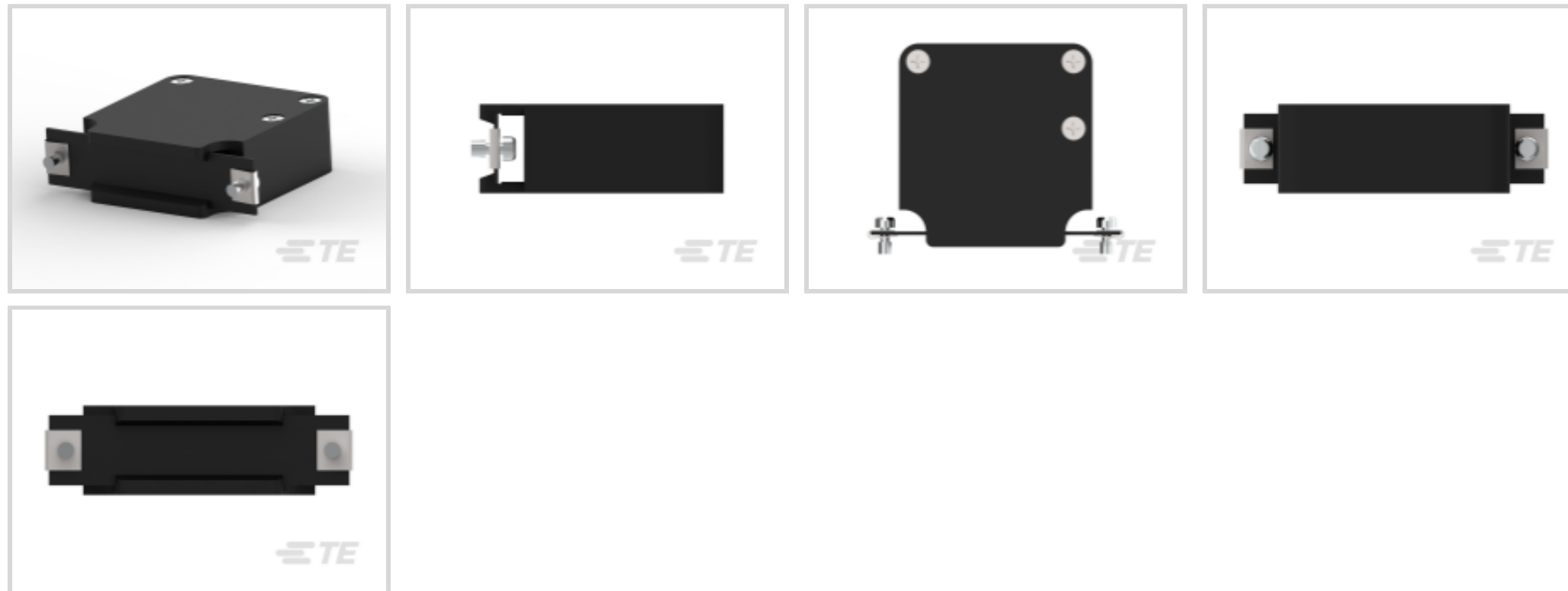
TE Internal #: 5207908-7

D-Sub Backshells & Clamps, Cable Clamp Kit, Box and Lid, Size 3,
Cable Exit Angle 180° (In-Line) / 90° (Right Angle), AMPLIMITE Kit

[View on TE.com >](#)



Connectors > D-Shaped Connectors > D-Sub Accessories > D-Sub Backshells & Clamps



D-Shaped Connector Accessories: **Cable Clamp Kit**

Cable Clamp Type: **Box and Lid**

Compatible With Connector Shell Size: **3**

Shielded: **No**

Cable Insulation Diameter Range: **9.91 mm [.39 in]**

Features

Product Type Features

Grommets	Without
Product Type	Accessory
D-Shaped Connector Accessories	Cable Clamp Kit

Body Features

Shield Plating Material	None
Cable Clamp Material	Polypropylene
Retainer Clip Material	Stainless Steel
Color	Black
Cable Clamp Type	Box and Lid
Cable Exit Angle	180° (In-Line), 90° (Right Angle)

Mechanical Attachment

Screw & Hole Thread Size	14702
--------------------------	-------

Dimensions

Cable Insulation Diameter Range	9.91 mm[.39 in]
---------------------------------	-----------------



Operation/Application

Compatible With Connector Shell Size	3
Shielded	No

Packaging Features

Packaging Quantity	1
Packaging Method	Kit

Other

Comment	All parts are packaged unassembled., Each kit is comprised of a cable clamp and male screw retainer hardware (2 each).
---------	--

Product Compliance

[For compliance documentation, visit the product page on TE.com>](#)

EU RoHS Directive 2011/65/EU	Compliant with Exemptions
EU ELV Directive 2000/53/EC	Compliant
China RoHS 2 Directive MIIT Order No 32, 2016	Restricted Materials Above Threshold
EU REACH Regulation (EC) No. 1907/2006	Current ECHA Candidate List: JUNE 2022 (224) Candidate List Declared Against: JUNE 2022 (224) SVHC > Threshold: Pb (.35% in Component part) Article Safe Usage Statements: Do not eat, drink or smoke when using this product. Wash thoroughly after handling. Recycle if possible and dispose of the article by following all applicable governmental regulations relevant to your geographic location.
Halogen Content	Not Low Halogen - contains Br or Cl > 900 ppm.
Solder Process Capability	Not applicable for solder process capability

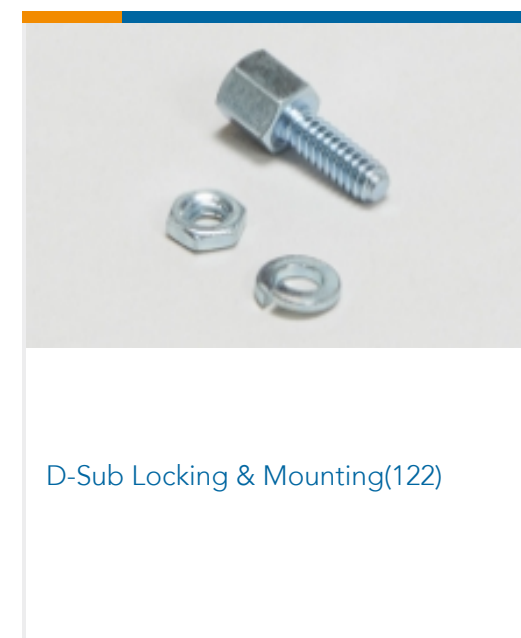
Product Compliance Disclaimer

This information is provided based on reasonable inquiry of our suppliers and represents our current actual knowledge based on the information they provided. This information is subject to change. The part numbers that TE has identified as EU RoHS compliant have a maximum concentration of 0.1% by weight in homogenous materials for lead, hexavalent chromium, mercury, PBB, PBDE, DBP, BBP, DEHP, DIBP, and 0.01% for cadmium, or qualify for an exemption to these limits as defined in the Annexes of Directive 2011/65/EU (RoHS2). Finished electrical and electronic equipment products will be CE marked as required by Directive 2011/65/EU. Components may not be CE marked. Additionally, the part numbers that TE has identified as EU ELV compliant have a maximum concentration of 0.1% by weight in homogenous materials for lead, hexavalent chromium, and mercury, and 0.01% for cadmium, or qualify for an exemption to these limits as defined in the Annexes of Directive 2000/53/EC (ELV). Regarding the REACH Regulation, the information TE provides on SVHC in articles for this part number is based on the latest European Chemicals Agency (ECHA) 'Guidance on requirements for substances in articles' posted at this URL: <https://echa.europa.eu/guidance-documents/guidance-on-reach>

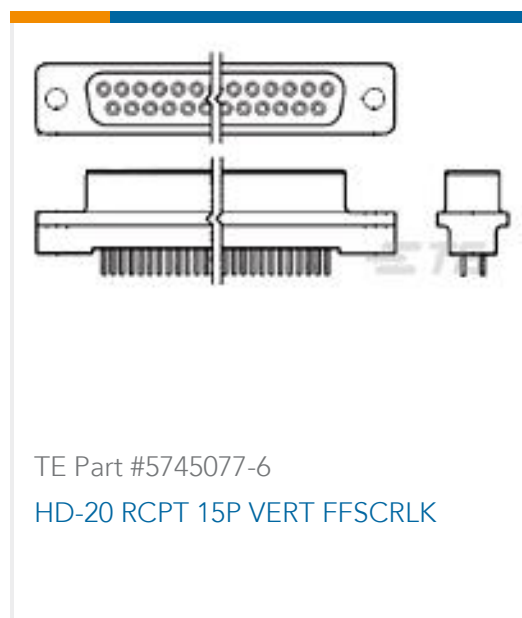
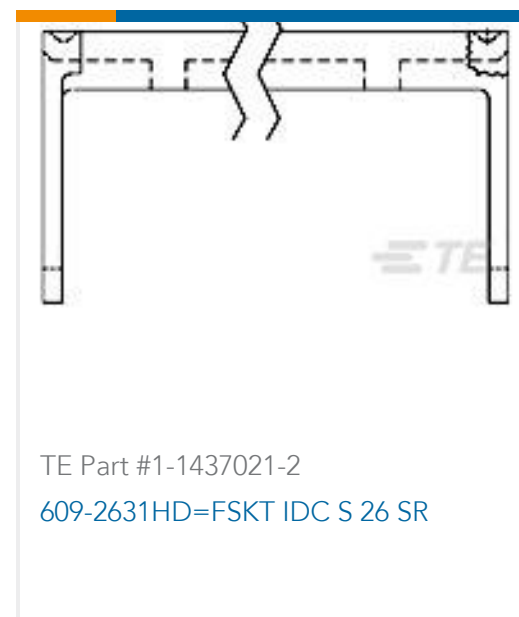
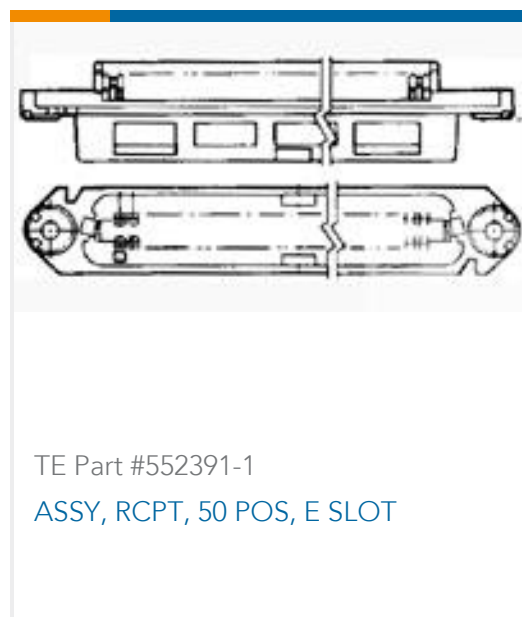
Compatible Parts



Also in the Series | AMPLIMITE Kit



Customers Also Bought





Documents

Product Drawings

[STRAIN REL W/SCRW RET KIT, SZ 3](#)

English

CAD Files

[3D PDF](#)

English

[Customer View Model](#)

[ENG_CVM_5207908-7_A.2d_dxf.zip](#)

English

[Customer View Model](#)

[ENG_CVM_5207908-7_A.3d_igs.zip](#)

English

[Customer View Model](#)

[ENG_CVM_5207908-7_A.3d_stp.zip](#)

English

By downloading the CAD file I accept and agree to the [Terms and Conditions](#) of use.

Datasheets & Catalog Pages

[AMPLIMITE Subminiature D Connectors - Cable Connectors](#)

English

[AMPLIMITE Cable Connectors and Shielding Hardware Kits QRG](#)

English

Product Environmental Compliance

[MD_5207908-7_07292013958_dmtec](#)

English

[MD_5207908-7_07292013958_dmtec](#)

English