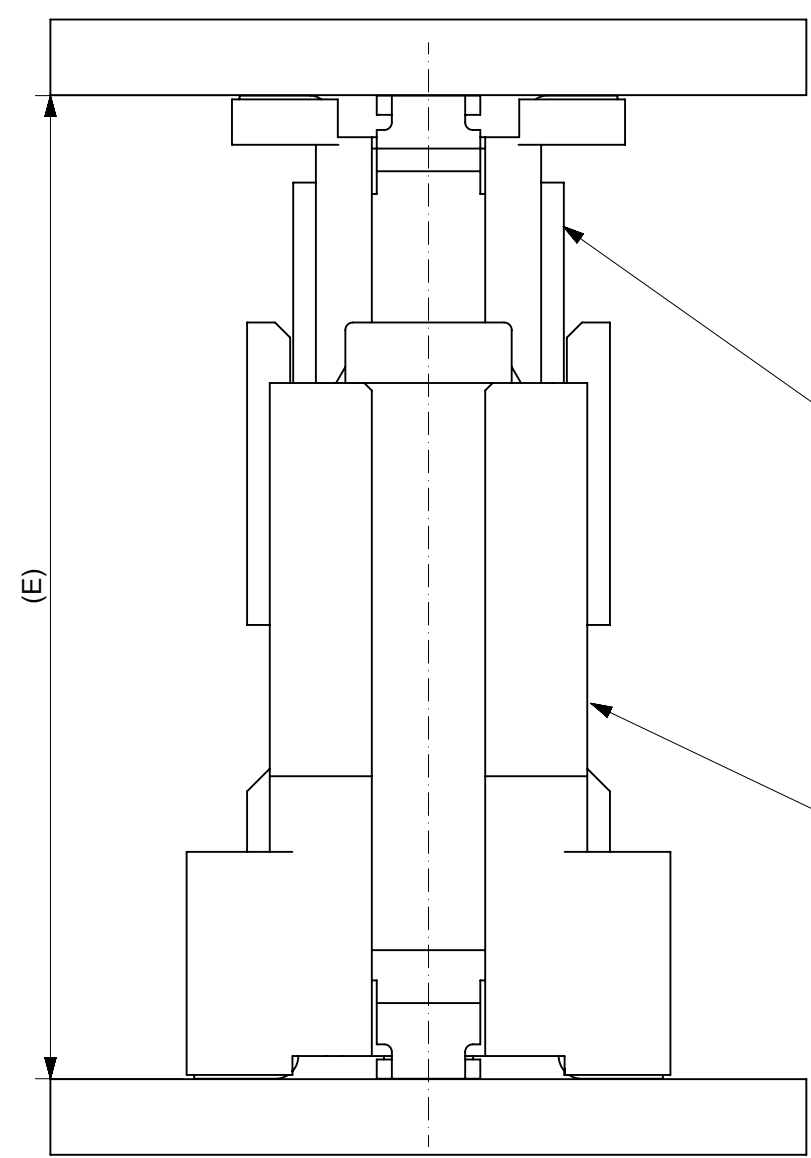


- 注) NOTES
- 材質 MATERIAL  
 ハウジング: ガラス入りLCP、白色、UL94V-0  
 HOUSING: G.F.LCP, WHITE, UL94V-0  
 ターミナル: 銅合金 (t=0.2)  
 TERMINAL: COPPER ALLOY  
 吸着カバー: ステンレス (t=0.2)  
 VACUUM COVER: STAINLESS STEEL  
 補強金具: 銅合金 (t=0.25)  
 FITTING NAIL: COPPER ALLOY
  - メッキ仕様 PLATING  
 ターミナル接点部: 金メッキ 0.25 μmMIN.  
 TERMINAL: CONTACT AREA: GOLD 0.25 μmMIN.  
 半田付け部: 錫メッキ 1 μmMIN.  
 SOLDER TAIL AREA: TIN 1 μmMIN.  
 下地メッキ: ニッケルメッキ 2 μmMIN.  
 UNDER-PLATING: NICKEL 2 μmMIN.  
 補助金具: 錫メッキ 1.0マイクロメートル以上  
 FITTING NAIL: OVER PLATING TIN 1.0 MICROMETER MINIMUM  
 下地メッキ ニッケルメッキ 1.0マイクロメートル以上  
 UNDER PLATING NICKEL 1.0 MICROMETER MINIMUM
  - テールのバラツキ寸法 TAIL COPLANARITY  
 テール平坦度は、0.1 MAX.とする。  
 TAILS COPLANARITY TO BE 0.1MAX.
  - エンボス対応済みの極数については、SD-52901-009を参照下さい。  
 FOR THE EMBOSSED PACKAGE PRODUCTS, SEE SD-52901-009.
  - 本製品は 52901-\*\*\*2 の鉛フリー品である。  
 THIS PRODUCT IS LEAD FREE OF 52901-\*\*\*2.

|                      |       |       |        |       |                              |                            |           |
|----------------------|-------|-------|--------|-------|------------------------------|----------------------------|-----------|
| 無し<br>WITHOUT        | 67.77 | 66.17 | 62.865 | 71.37 | 52901-2074                   | -                          | 200       |
|                      | 61.42 | 59.82 | 56.515 | 65.02 | 52901-1874                   | -                          | 180       |
|                      | 55.07 | 53.47 | 50.165 | 58.67 | 52901-1674                   | -                          | 160       |
|                      | 48.72 | 47.12 | 43.815 | 52.32 | 52901-1474                   | -                          | 140       |
|                      | 42.37 | 40.77 | 37.465 | 45.97 | 52901-1274                   | -                          | 120       |
|                      | 36.02 | 34.42 | 31.115 | 39.62 | 52901-1074                   | 52901-1075                 | 100       |
|                      | 32.85 | 31.25 | 27.94  | 36.45 | 52901-0974                   | 52901-0975                 | 90        |
| 有り<br>WITH           | 29.67 | 28.07 | 24.765 | 33.27 | 52901-0874                   | 52901-0875                 | 80        |
|                      | 26.5  | 24.90 | 21.59  | 30.1  | 52901-0774                   | 52901-0775                 | 70        |
|                      | 23.32 | 21.72 | 18.415 | 26.92 | 52901-0674                   | 52901-0675                 | 60        |
|                      | 20.15 | 18.55 | 15.24  | 23.75 | 52901-0574                   | -                          | 50        |
|                      | 16.97 | 15.37 | 12.065 | 20.57 | 52901-0474                   | 52901-0475                 | 40        |
|                      | 13.8  | 12.2  | 8.89   | 17.4  | 52901-0374                   | 52901-0375                 | 30        |
|                      | 10.62 | 9.02  | 5.715  | 14.22 | 52901-0274                   | 52901-0275                 | 20        |
| ハウジングロック<br>HSG LOCK | D     | C     | B      | A     | エンボス梱包<br>EMBOSSED PACKAGING | スティック梱包<br>STICK PACKAGING | 極数<br>CKT |
| オーダー番号<br>ORDER NO.  |       |       |        |       |                              |                            |           |

|  |        |   |                 |
|--|--------|---|-----------------|
| GENERAL TOLERANCES (UNLESS SPECIFIED)                |        | THIS DRAWING CONTAINS INFORMATION THAT IS PROPRIETARY TO MOLEX ELECTRONIC TECHNOLOGIES, LLC AND SHOULD NOT BE USED WITHOUT WRITTEN PERMISSION |                 |
| 10 UNDER   | ± 0.2  | DIMENSION UNITS   | SCALE           |
| 10 OVER 30 UNDER                                     | ± 0.25 | mm  | -               |
| 30 OVER  | ± 0.3  | CURRENT REV DESC:   |                 |
| ANGULAR  | ± 3 °  | EC NO: 602629   |                 |
| DRAFT WHERE APPLICABLE MUST REMAIN WITHIN DIMENSIONS |        | DRWN: RMIYAMOTO 2018/08/16  |                 |
|  |        | CHK'D: KSASAKI 2018/08/17   |                 |
|  |        | APPR: TKUSUHARA01 2018/08/17  |                 |
|  |        | INITIAL REVISION:   |                 |
|  |        | DRWN: MNINOMIYA 2004/03/23  |                 |
|  |        | APPR: MSASAO 2004/03/23   |                 |
|  |        | THIRD ANGLE PROJECTION  | DRAWING         |
|  |        | ⊕   | A3-SIZE         |
|  |        | SERIES  | MATERIAL NUMBER |
|  |        | 52901   | SEE CHART       |
|  |        | CUSTOMER  | SHEET NUMBER    |
|  |        | GENERAL MARKET  | 1 OF 2          |



55091 series  
53625 series  
53647 series  
53649 series  
53627 series  
Plug

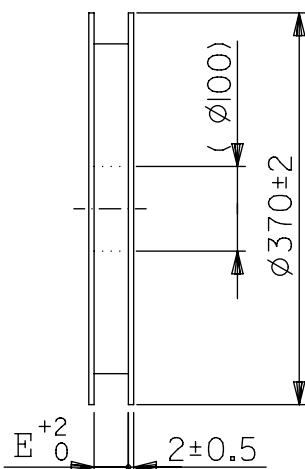
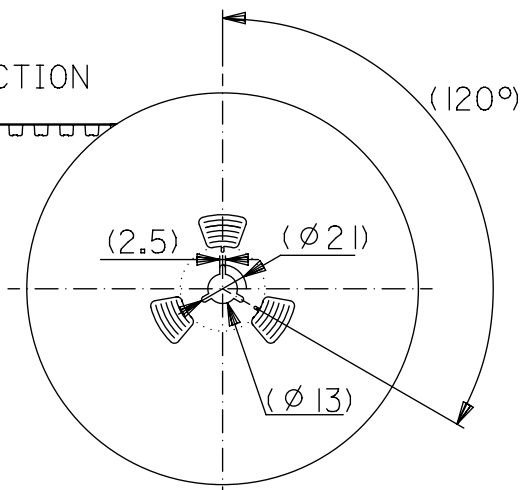
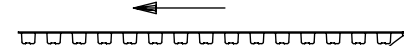
52885 series  
52901 series  
Receptacle

| 嵌合高さ一覧<br>Stacking Height variation |                           |                      |              |
|-------------------------------------|---------------------------|----------------------|--------------|
|                                     | 6                         | 52885 series         | 55091 series |
|                                     | 7                         |                      | 53625 series |
|                                     | 8                         |                      | 53647 series |
|                                     | 9                         |                      | 53649 series |
|                                     | 10                        |                      | 53627 series |
| ○                                   | 12                        | 52901 series         | 55091 series |
| ○                                   | 13                        |                      | 53625 series |
| ○                                   | 14                        |                      | 53647 series |
| ○                                   | 15                        |                      | 53649 series |
| ○                                   | 16                        |                      | 53627 series |
| 本図製品該当高さ<br>Height Application      | 嵌合高さ E<br>Stacking Height | リセプタクル<br>Receptacle | プラグ<br>Plug  |

|   |  |   |  |   |  |   |  |                      |  |
|---|--|---|--|---|--|---|--|----------------------|--|
| <b>GENERAL TOLERANCES<br/>(UNLESS SPECIFIED)</b><br>10 UNDER ± 0.2<br>10 OVER 30 UNDER ± 0.25<br>30 OVER ± 0.3<br>ANGULAR ± 3 °<br>DRAFT WHERE APPLICABLE<br>MUST REMAIN<br>WITHIN DIMENSIONS |  | THIS DRAWING CONTAINS INFORMATION THAT IS PROPRIETARY TO MOLEX ELECTRONIC TECHNOLOGIES, LLC AND SHOULD NOT BE USED WITHOUT WRITTEN PERMISSION<br>DIMENSION UNITS: mm SCALE: - |  | CURRENT REV DESC:<br>EC NO: 602629<br>DRWN: RMIYAMOTO 2018/08/16<br>CHK'D: KSASAKI 2018/08/17<br>APPR: TKUSUHARA01 2018/08/17<br>INITIAL REVISION:<br>DRWN: MNINOMIYA 2004/03/23<br>APPR: MSASAO 2004/03/23 |  | 0.635 PITCH B-TO-B CONN.<br>REC. HS'G COVER ASS'Y -LEAD FREE-<br>PRODUCT CUSTOMER DRAWING |  |                      |  |
|   |  | GENERAL TOLERANCES<br>(UNLESS SPECIFIED)<br>ANGULAR TOL ± 30 °<br>4 PLACES ± 0.2<br>3 PLACES ± 0.25<br>2 PLACES ± 0.3<br>1 PLACE ±<br>0 PLACES ±                              |  |   |  |   |  |                      | DOCUMENT NUMBER: SD-52901-008<br>DOC TYPE: PSD<br>DOC PART: 001<br>REVISION: F |
| DRAFT WHERE APPLICABLE<br>MUST REMAIN<br>WITHIN DIMENSIONS  |  | THIRD ANGLE PROJECTION<br>  |  | DRAWING: A3-SIZE<br>SERIES: 52901   |  | MATERIAL NUMBER: SEE CHART<br>CUSTOMER: GENERAL MARKET                                    |  | SHEET NUMBER: 2 OF 2 |  |

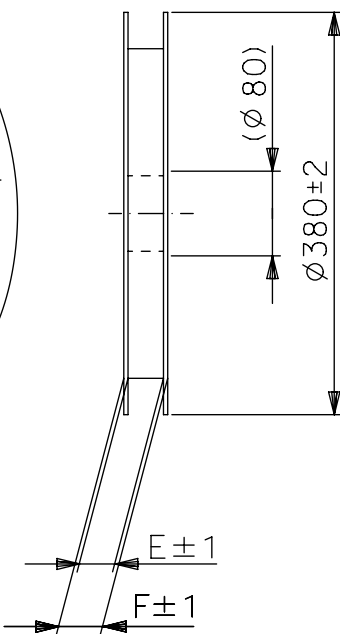
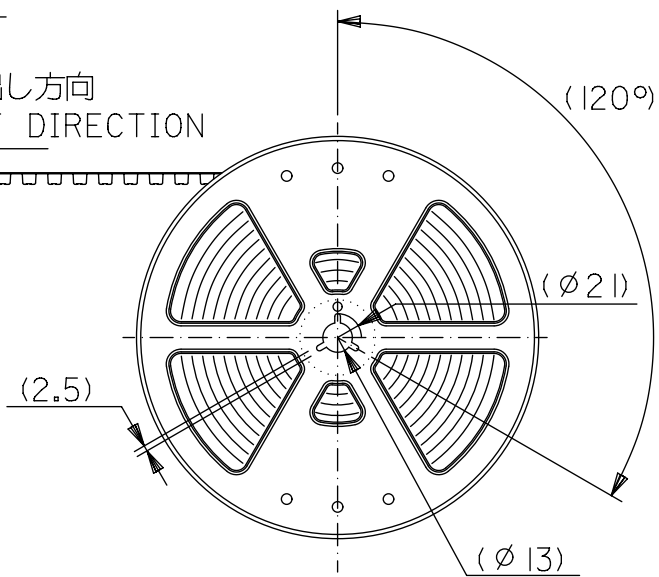
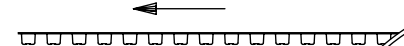
20 ~ 140CKT

引き出し方向  
PULL OUT DIRECTION



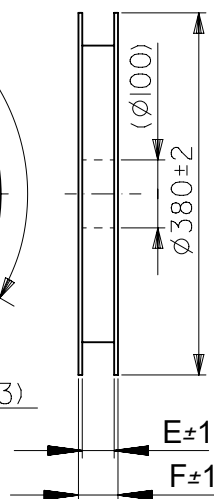
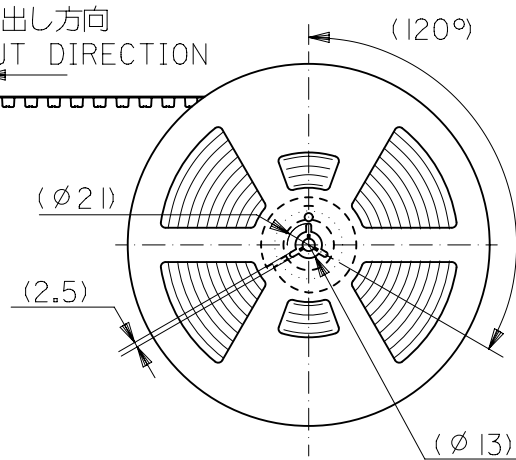
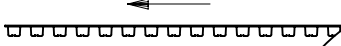
160CKT

引き出し方向  
PULL OUT DIRECTION



180 ~ 200CKT

引き出し方向  
PULL OUT DIRECTION

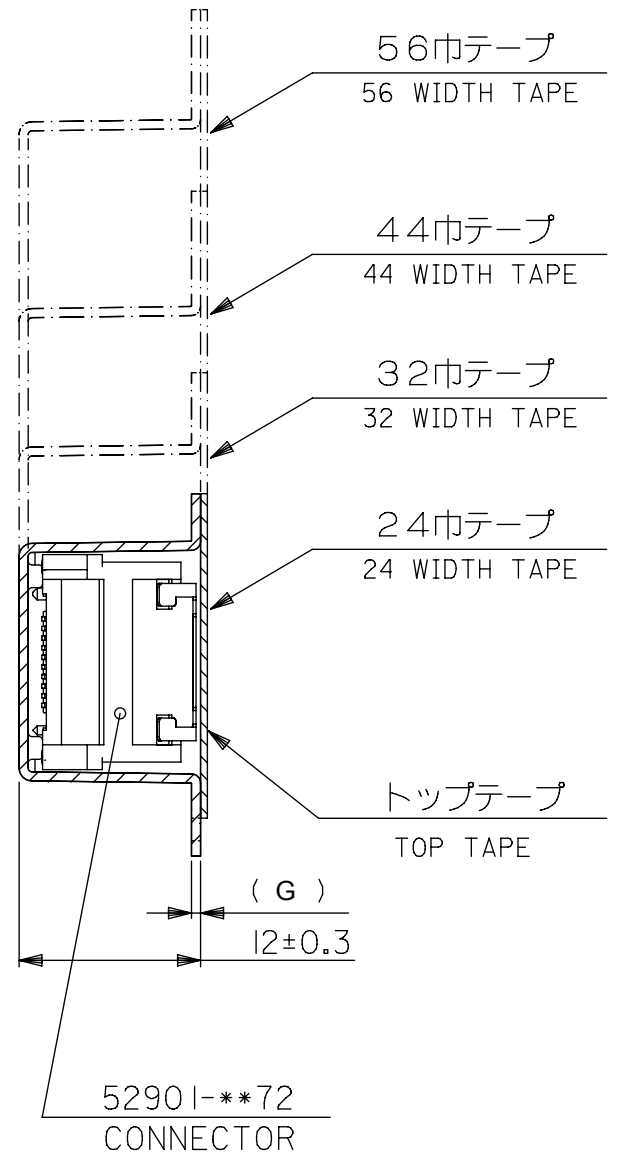
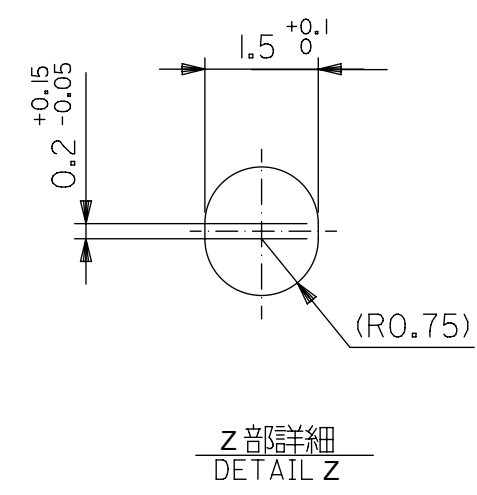
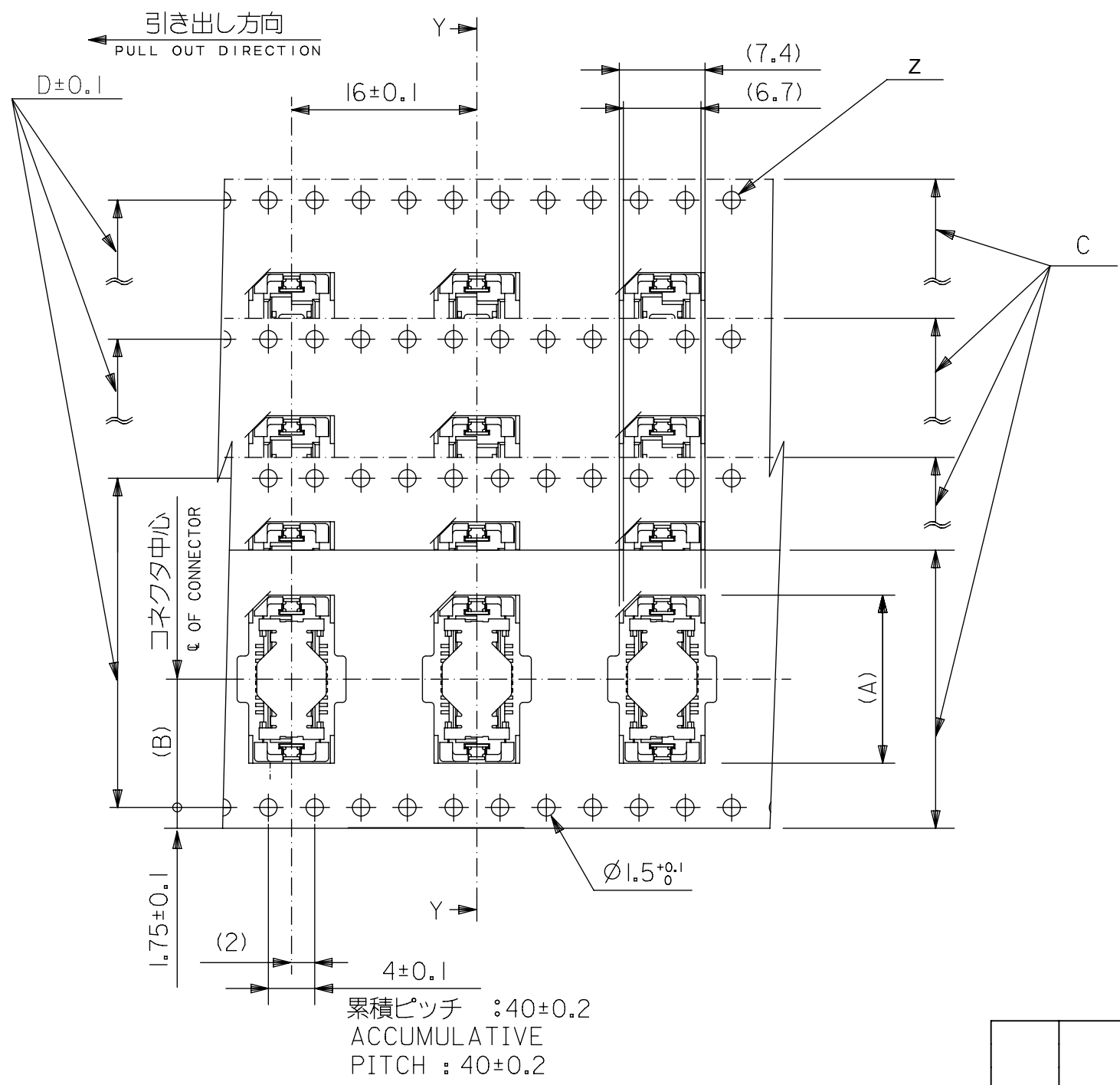


注)

NOTES

- 製品番号 52901-\*\*\*72 の詳細寸法については、SD-52901-008 を参照下さい。  
IN THE PACKAGE ,PART NO.52901-\*\*\*72 DETAILED DIMENSIONS ,SEE SD-52901-008
- 梱包数量 : 440 個/リール  
NUMBER OF CONNECTORS : 440 PCS/REEL
- リードテープ長さ  
LEAD TAPE LENGTH
- 材料  
MATERIAL  
 キャリアテープ : ポリプロピレン (20 ~ 160CKT)  
 ポリスチレン (180P , 200CKT)  
 CARRIER TAPE : POLYPROPYLENE (20 ~ 160CKT)  
 POLYSTYRRNE (180P , 200CKT)  
 トップテープ : PET, PE, PEF  
 TOP TAPE : PET , PE , PEF  
 リール : 紙 (20 ~ 140CKT)  
 ポリスチレン (160 ~ 200CKT)  
 REEL : CARD BOARD (20 ~ 140CKT)  
 POLYSTYRRNE (160 ~ 200CKT)
- 本製品は 52901-\*\*\*4 の鉛フリー品である。  
THIS PRODUCT IS LEAD FREE OF 52901-\*\*\*4.

|   |       |                            |         |                          |                |   |
|---|-------|----------------------------|---------|--------------------------|----------------|---|
| THIS DRAWING CONTAINS INFORMATION THAT IS PROPRIETARY TO MOLEX ELECTRONIC TECHNOLOGIES, LLC AND SHOULD NOT BE USED WITHOUT WRITTEN PERMISSION |       | CURRENT REV DESC:          |         | <b>molex</b>             |                |   |
| DIMENSION UNITS   | SCALE | EC NO: 176915              |         |                          |                | EMBOSSED TAPE PACKAGE FOR 52901-***72 -LEAD FREE- |
| mm  | -     | DRWN: RMIYAMOTO 2018/03/16 |         | PRODUCT CUSTOMER DRAWING |                |   |
| GENERAL TOLERANCES (UNLESS SPECIFIED)   |       | CHK'D: KSASAKI 2018/05/18  |         | DOCUMENT NUMBER          |                |   |
| ANGULAR TOL   | ± °   | APPR: RTAKEUCHI 2018/05/18 |         | SD-52901-009             |                |   |
| 4 PLACES  | ±     | INITIAL REVISION:          |         | DOC TYPE                 |                |   |
| 3 PLACES  | ±     | DRWN: MNINOMIYA 2004/03/23 |         | PSD                      |                |   |
| 2 PLACES  | ±     | APPR: MSASAO 2004/03/23    |         | DOC PART                 |                |   |
| 1 PLACE   | ±     | SERIES                     |         | 001                      |                |   |
| 0 PLACES  | ±     | 52901                      |         | C                        |                |   |
| DRAFT WHERE APPLICABLE MUST REMAIN WITHIN DIMENSIONS  |       | THIRD ANGLE PROJECTION     | DRAWING | MATERIAL NUMBER          | CUSTOMER       | SHEET NUMBER                                      |
|   |       |                            | A3-SIZE | SEE CHART                | GENERAL MARKET | 1 OF 3  |



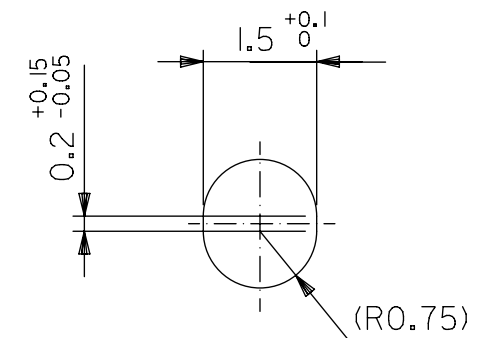
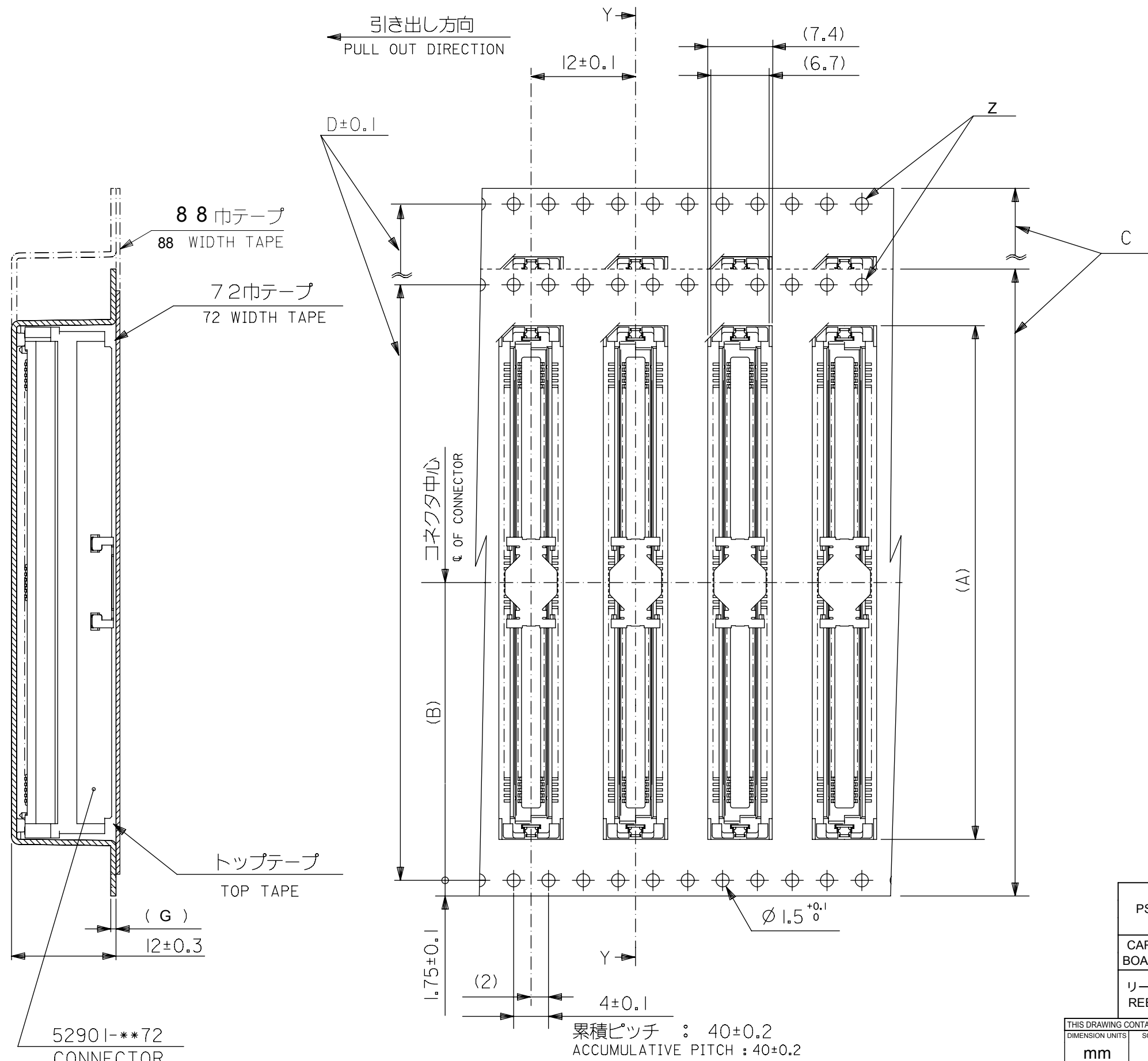
断面 Y-Y  
SECTION Y-Y

累積ピッチ : 40±0.2  
ACCUMULATIVE PITCH : 40±0.2

|            |                      |     |   |      |      |        |      |      |                             |        |      |                  |            |
|------------|----------------------|-----|---|------|------|--------|------|------|-----------------------------|--------|------|------------------|------------|
| CARD BOARD | PP                   | 0.6 | - | 56.4 | 52.4 | 56±0.3 | 26.2 | 39.9 | 52901-1074                  | 100    |      |                  |            |
|            |                      |     |   |      |      |        |      | 36.8 | 52901-0974                  | 90     |      |                  |            |
|            |                      |     |   |      |      |        |      | 33.6 | 52901-0874                  | 80     |      |                  |            |
|            |                      |     |   | 44.4 | 40.4 | 44±0.3 | 20.2 | 30.4 | 52901-0774                  | 70     |      |                  |            |
|            |                      |     |   |      |      |        |      | 27.2 | 52901-0674                  | 60     |      |                  |            |
|            |                      |     |   |      |      |        |      | 24.1 | 52901-0574                  | 50     |      |                  |            |
| リール REEL   | キャリアテープ CARRIER TAPE | G   | F | E    | D    | 32±0.3 | 14.2 | 20.9 | 52901-0474                  | 40     |      |                  |            |
|            |                      |     |   |      |      |        |      | 17.7 | 52901-0374                  | 30     |      |                  |            |
|            |                      |     |   |      |      |        |      | 24.4 | -                           | 24±0.3 | 11.5 | 14.5             | 52901-0274 |
|            |                      |     |   |      |      |        |      | C    | キャリアテープ幅 CARRIER TAPE WIDTH | B      | A    | オーダー番号 ORDER NO. | 極数 CKT     |

THIS DRAWING CONTAINS INFORMATION THAT IS PROPRIETARY TO MOLEX ELECTRONIC TECHNOLOGIES, LLC AND SHOULD NOT BE USED WITHOUT WRITTEN PERMISSION

|  |       |                        |            |   |                 |
|--|-------|------------------------|------------|---|-----------------|
| DIMENSION UNITS                                      | SCALE | CURRENT REV DESC:      |            | <b>molex</b>                                      |                 |
| mm   | -     |                        |            |   |                 |
| GENERAL TOLERANCES (UNLESS SPECIFIED)                |       | EC NO: 176915          |            | EMBOSSSED TAPE PACKAGE FOR 52901-**72 -LEAD FREE- |                 |
| ANGULAR TOL  | ± °   | DRWN: RMIYAMOTO        | 2018/03/16 | PRODUCT CUSTOMER DRAWING                          |                 |
| 4 PLACES   | ±     | CHK'D: KSASAKI         | 2018/05/18 | DOCUMENT NUMBER                                   |                 |
| 3 PLACES   | ±     | APPR: RTAKEUCHI        | 2018/05/18 | SD-52901-009                                      |                 |
| 2 PLACES   | ±     | INITIAL REVISION:      |            | DOC TYPE  | DOC PART        |
| 1 PLACE  | ±     | DRWN: MNINOMIYA        | 2004/03/23 | PSD   | 001             |
| 0 PLACES   | ±     | APPR: MSASAO           | 2004/03/23 | REVISION  |                 |
| DRAFT WHERE APPLICABLE MUST REMAIN WITHIN DIMENSIONS |       | THIRD ANGLE PROJECTION | DRAWING    | SERIES  | MATERIAL NUMBER |
|  |       |                        | A3-SIZE    | 52901   | CUSTOMER        |
|  |       |                        |            |   | GENERAL MARKET  |
|  |       |                        |            |   | SHEET NUMBER    |
|  |       |                        |            |   | 2 OF 3          |

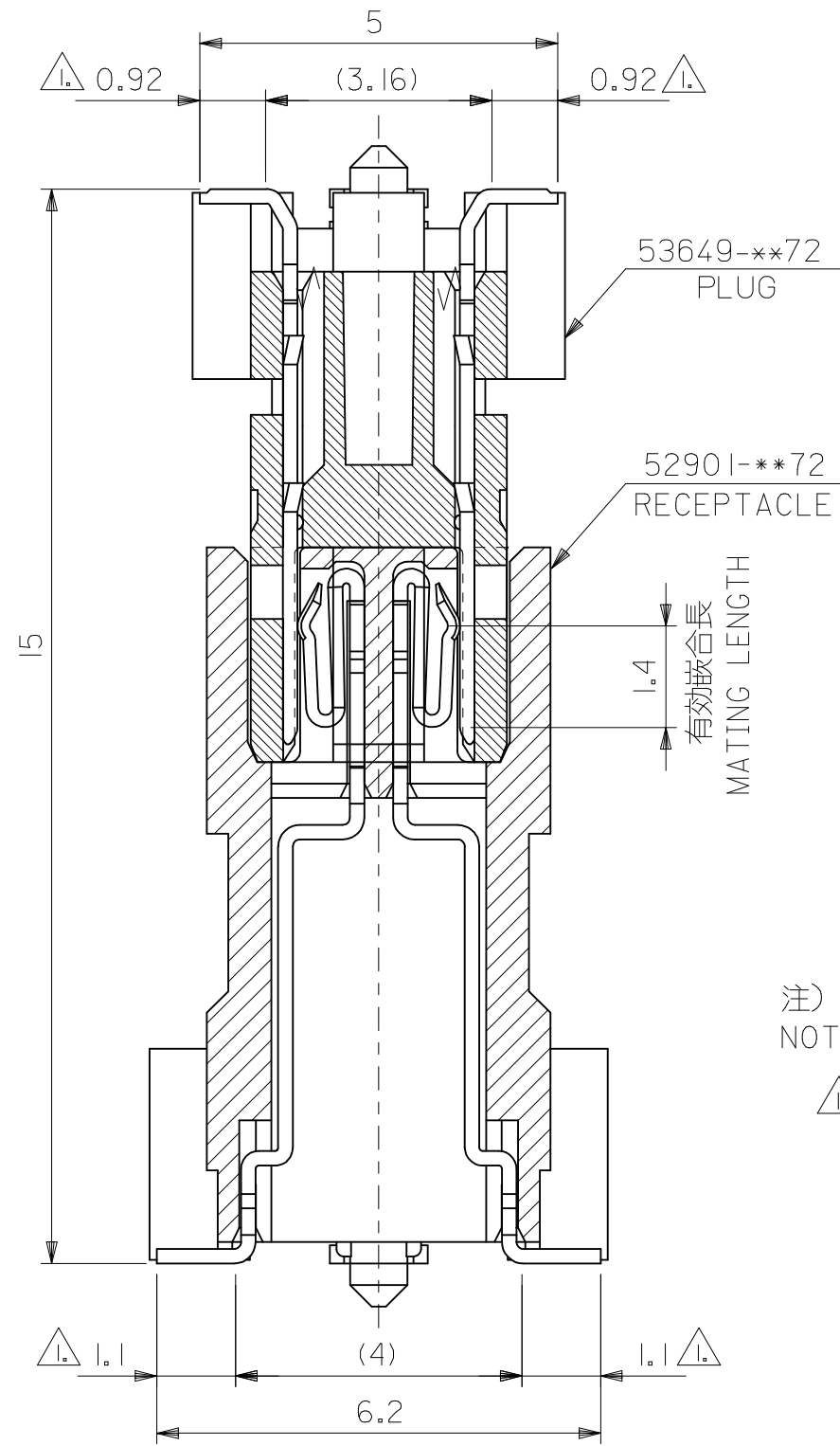


Z部詳細  
DETAIL Z

|            |                      |     |    |      |      |                                  |      |            |                  |        |
|------------|----------------------|-----|----|------|------|----------------------------------|------|------------|------------------|--------|
| PS         | PS                   | 0.5 | 94 | 90   | 84.4 | 88±0.3                           | 42.2 | 71.7       | 52901-2074       | 200    |
|            |                      |     | 78 | 74   | 65.4 |                                  |      | 52901-1874 | 180              |        |
| CARD BOARD | PP                   | 0.6 | -  | 72.4 | 68.4 | 72±0.3                           | 34.2 | 59.0       | 52901-1674       | 160    |
|            |                      |     | -  | -    | 46.3 |                                  |      | 52901-1274 | 120              |        |
| リール REEL   | キャリアテープ CARRIER TAPE | G   | F  | E    | D    | C<br>キャリアテープ幅 CARRIER TAPE WIDTH | B    | A          | オーダー番号 ORDER NO. | 極数 CKT |

THIS DRAWING CONTAINS INFORMATION THAT IS PROPRIETARY TO MOLEX ELECTRONIC TECHNOLOGIES, LLC AND SHOULD NOT BE USED WITHOUT WRITTEN PERMISSION

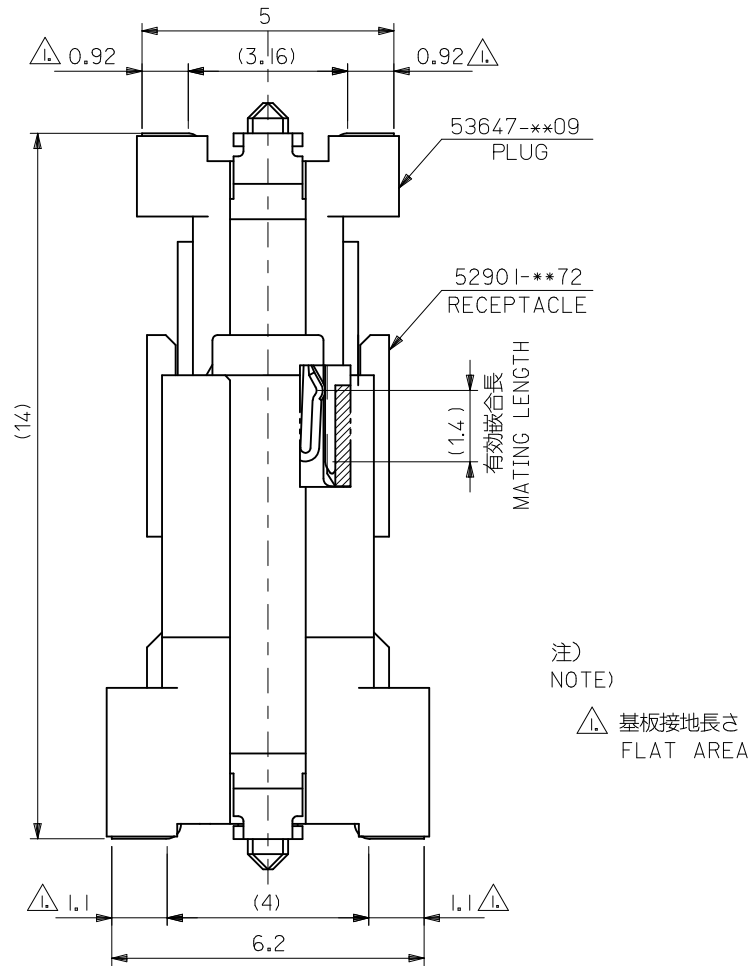
|  |       |                            |  |  |  |
|--|-------|----------------------------|--|--|--|
| DIMENSION UNITS                                      | SCALE | CURRENT REV DESC:          |  | <b>molex</b>                                     |  |
| mm   | -     |                            |  |  |  |
| GENERAL TOLERANCES (UNLESS SPECIFIED)                |       | EC NO: 176915              |  | EMBOSSED TAPE PACKAGE FOR 52901-**72 -LEAD FREE- |  |
| ANGULAR TOL  | ±     | DRWN: RMIYAMOTO 2018/03/16 |  | PRODUCT CUSTOMER DRAWING                         |  |
| 4 PLACES   | ±     | CHK'D: KSASAKI 2018/05/18  |  | DOCUMENT NUMBER                                  |  |
| 3 PLACES   | ±     | APPR: RTAKEUCHI 2018/05/18 |  | SD-52901-009                                     |  |
| 2 PLACES   | ±     | INITIAL REVISION:          |  | DOC TYPE   |  |
| 1 PLACE  | ±     | DRWN: MNINOMIYA 2004/03/23 |  | PSD  |  |
| 0 PLACES   | ±     | APPR: MSASAO 2004/03/23    |  | DOC PART   |  |
| DRAFT WHERE APPLICABLE MUST REMAIN WITHIN DIMENSIONS |       | THIRD ANGLE PROJECTION     |  | REVISION   |  |
|  |       | DRAWING                    |  | C  |  |
|  |       | SERIES                     |  | SHEET NUMBER                                     |  |
|  |       | A3-SIZE 52901              |  | 3 OF 3   |  |
|  |       | MATERIAL NUMBER            |  | CUSTOMER   |  |
|  |       | SEE CHART                  |  | GENERAL MARKET                                   |  |



注)  
NOTE)

△ 基板接地長さ  
FLAT AREA

|   |   |  |       |                             |                    |   |                        |                        |  |  |
|---|---|--|-------|-----------------------------|--------------------|---|------------------------|------------------------|--|--|
| RELEASED<br>EC NO: J2005-3798<br>DRWN: KENSUZUKI<br>CH'KD: NUKITA<br>APPR: NUKITA | DESCRIPTION<br>2005/06/20<br>2005/06/20<br>2005/06/23 | GENERAL TOLERANCES (UNLESS SPECIFIED)  |       | DIMENSION STYLE<br>MM ONLY  |                    | SCALE<br>10:1   | DESIGN UNITS<br>METRIC | THIRD ANGLE PROJECTION |  |  |
|   |   | 10 UNDER   | ±0.2  | DRAWN BY<br>KENSUZUKI       | DATE<br>2005/06/20 | TITLE<br>0.635 PITCH B TO B CONN.<br>52901/53649 SERIES<br>MATING CROSS SECTION |                        |                        |  |  |
|   |   | 10 <sup>OVER</sup> 30 UNDER  | ±0.25 | CHECKED BY<br>NUKITA        | DATE<br>2005/06/20 |   |                        |                        |  |  |
|   |   | 30 <sup>OVER</sup>   | ±0.3  | APPROVED BY<br>NUKITA       | DATE<br>2005/06/20 | MOLEX INCORPORATED  |                        |                        |  |  |
|   |   | ANGULAR ±3 °   |       | MATERIAL NO.<br>SEE DRAWING |                    |   |                        |                        |  |  |
| DRAFT WHERE APPLICABLE<br>MUST REMAIN<br>WITHIN DIMENSIONS                        |   | THIS DRAWING CONTAINS INFORMATION THAT IS PROPRIETARY TO MOLEX<br>INCORPORATED AND SHOULD NOT BE USED WITHOUT WRITTEN PERMISSION |       |                             |                    |   |                        |                        |  |  |



|   |                                       |  |                             |                              |   |                        |
|---|---------------------------------------|--|-----------------------------|------------------------------|---|------------------------|
| RELEASED<br>EC NO: J2012-1293<br>DRWN:TKAIHO 2012/04/09<br>CHKD:TASAKAWA 2012/04/10<br>APPR:MSASAO 2012/04/13                         | GENERAL TOLERANCES (UNLESS SPECIFIED) |  | DIMENSION STYLE<br>MM ONLY  | SCALE<br>10:1                | DESIGN UNITS<br>METRIC  | THIRD ANGLE PROJECTION |
|   | 10 UNDER                              | ±0.2   | DRAWN BY<br>TKAIHO          | DATE<br>2012/04/09           | TITLE<br>0.635 BB CONN.<br>52901/53647 SERIES<br>MATING DRAWING<br><b>molex</b> |                        |
|   | 10 OVER 30 UNDER                      | ±0.25  | CHECKED BY<br>TASAKAWA      | DATE<br>2012/04/10           |   |                        |
|   | 30 OVER                               | ±0.3   | APPROVED BY<br>MSASAO       | DATE<br>2012/04/13           |   |                        |
| 0   | ANGULAR ±3 °                          | DRAFT WHERE APPLICABLE MUST REMAIN WITHIN DIMENSIONS | MATERIAL NO.<br>SEE DRAWING | DOCUMENT NO.<br>SD-52901-017 | SHEET NO.<br>1 OF 1   |                        |
| SIZE A3 THIS DRAWING CONTAINS INFORMATION THAT IS PROPRIETARY TO MOLEX INCORPORATED AND SHOULD NOT BE USED WITHOUT WRITTEN PERMISSION |                                       |  |                             |                              |   |                        |