

10 9 8 7 6 5 4 3 2 1

F

F

E

E

D

D

C

C

B

B

A

A



53261-****	WAFER ASSY	MODEL NO./MATERIAL NO.
50079-****	TERMINAL	
51021-****	HOUSING	

RELEASED EC NO: J2006-2426 DRWN: A0YAGI 2006/02/02 CHKD: YMAEDA 2006/02/03 APPR: NUKITA 2006/02/07	GENERAL TOLERANCES (UNLESS SPECIFIED)		DIMENSION STYLE MM ONLY		SCALE ---	DESIGN UNITS METRIC	THIRD ANGLE PROJECTION	
	10 UNDER	± ---	DRAWN BY Y. A0YAGI	DATE 2006/01/30	TITLE 1.25 W-TO-B CONN. 51021,53261 MATING CROSS SECTION			
	10 OVER 30 UNDER	± ---	CHECKED BY Y. MAEDA	DATE 2006/01/30	MOLEX INCORPORATED			
	30 OVER	± ---	APPROVED BY N. UKITA	DATE 2006/01/30	DOCUMENT NO. SD-51021-002			
	ANGULAR	± --- °	MATERIAL NO. SEE CHART		SHEET NO. 1 OF 1			
0	DRAFT WHERE APPLICABLE MUST REMAIN WITHIN DIMENSIONS		SIZE A3		THIS DRAWING CONTAINS INFORMATION THAT IS PROPRIETARY TO MOLEX INCORPORATED AND SHOULD NOT BE USED WITHOUT WRITTEN PERMISSION			

9

8

7

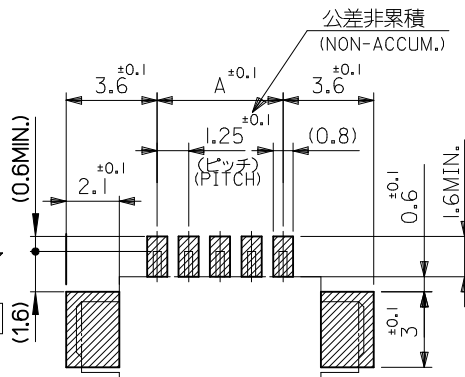
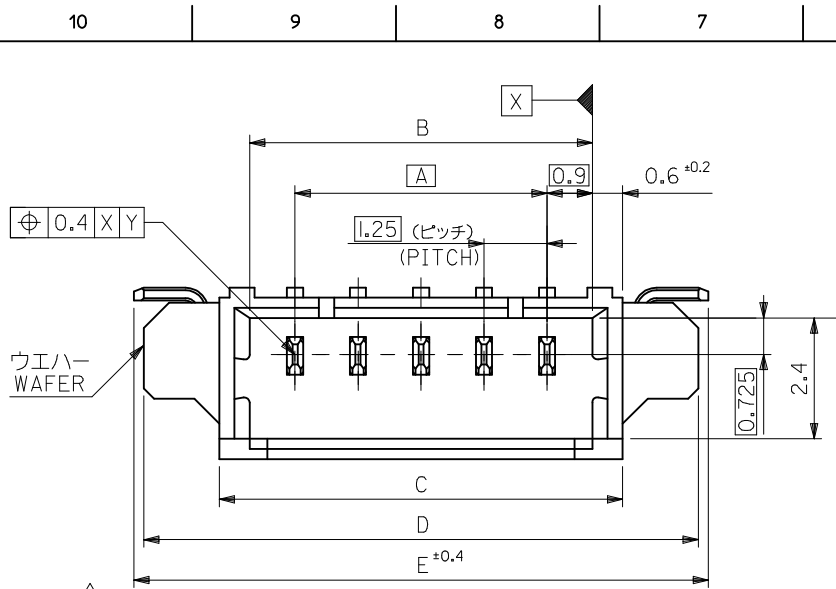
6

5

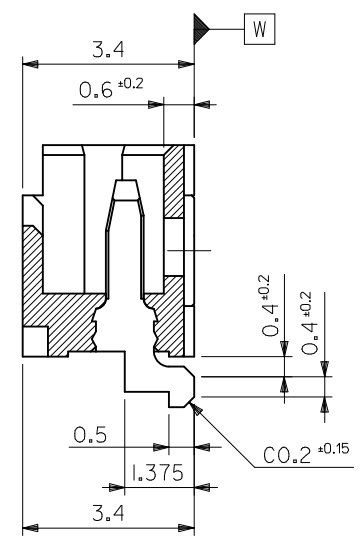
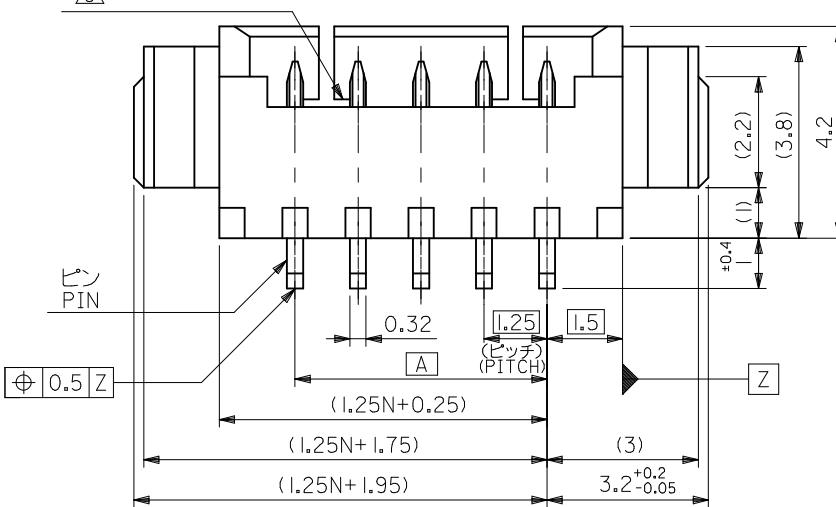
4

3

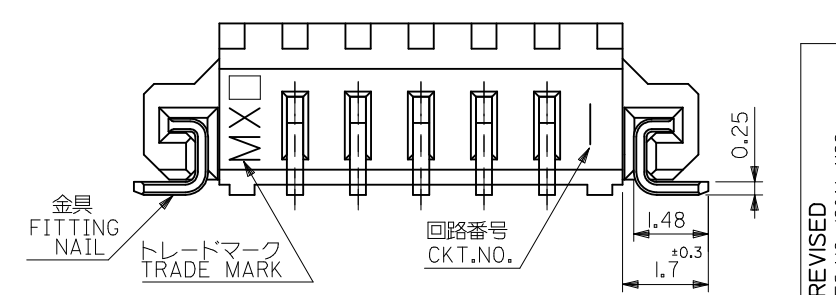
2



参考基板レイアウト
RECOMMENDED P.C.BOARD PATTERN DIM.(REF.)
(SCALE 5:1)



断面図 [CROSS SECTION]



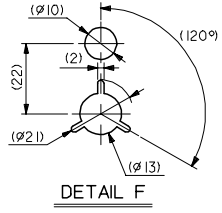
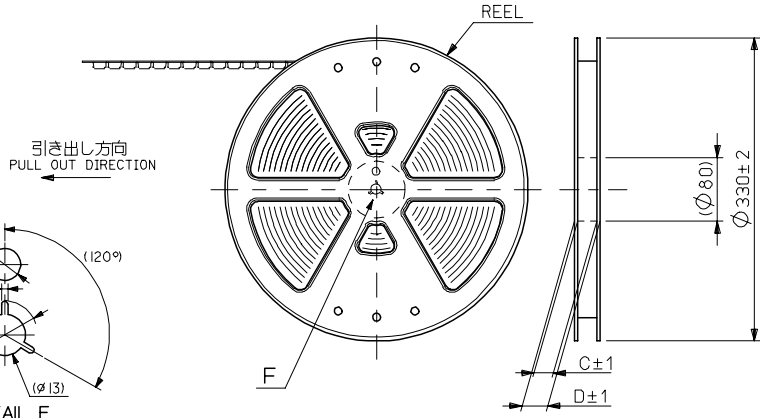
注記 NOTES

- 嵌合相手: 51021 シリーズ
MATES WITH: 51021 SERIES
- 材質 MATERIAL
ウエハー: NYLON46, UL94V-0
ピン: リン青銅
: PHOS-BRO
: 銅メッキ 1.0 マイクロメートル以上
: TIN 1.0 MICROMETER MINIMUM
: ニッケル下地 1.0 マイクロメートル以上
: NICKEL (UNDER PLATING) 1.0 MICROMETER MINIMUM
金具
FITTING NAIL: リン青銅
: PHOS-BRO
: 銅メッキ 1.0 マイクロメートル以上
: TIN 1.0 MICROMETER MINIMUM
: ニッケル下地 1.0 マイクロメートル以上
: NICKEL (UNDER PLATING) 1.0 MICROMETER MINIMUM
- ロック窓は2、3極は1箇所、4極以上は2箇所とする。
LOCKING WINDOW: ONE PLACE FOR 2 AND 3 CKT. AND TWO PLACES FOR MORE THAN 3 CKT.
- ソリダータール部のスレ量及び金具(補強板)のスレ量は基準面 W に対し、上方向 0.05MAX.、下方向に 0.1 MAX. とする。
OFFSET BETWEEN BASIS PLANE W TO SOLDER TAIL BOTTOM AND FITTING NAIL BOTTOM:
UPPER SIDE: 0.05MAX.
LOWER SIDE: 0.1MAX.
- 本製品は 53261-**-10 の鉛フリー品である。
THIS PRODUCT IS LEAD FREE OF 53261-**10
- ELV及びRoHS適合品
ELV AND RoHS COMPLIANT.
- ソルダータール及び金具の平坦度は0.1以下。
SOLDER TAIL & FITTING NAIL COPLANARITY TO BE 0.1 MAX.

26.4	26	23	21.8	20	53261-1771	53261-1719	17
23.9	23.5	20.5	19.3	17.5	-1571	-1519	15
22.65	22.25	19.25	18.05	16.25	-1471	-1419	14
21.4	21	18	16.8	15	-1371	-1319	13
20.15	19.75	16.75	15.55	13.75	-1271	-1219	12
18.9	18.5	15.5	14.3	12.5	-1171	-1119	11
17.65	17.25	14.25	13.05	11.25	-1071	-1019	10
16.4	16	13	11.8	10	-0971	-0919	9
15.15	14.75	11.75	10.55	8.75	-0871	-0819	8
13.9	13.5	10.5	9.3	7.5	-0771	-0719	7
12.65	12.25	9.25	8.05	6.25	-0671	-0619	6
11.4	11	8	6.8	5	-0571	-0519	5
10.15	9.75	6.75	5.55	3.75	-0471	-0419	4
8.9	8.5	5.5	4.3	2.5	-0371	-0319	3

53261-**-19	7.65	7.25	4.25	3.05	1.25	53261-0271	53261-0219	2
MODEL NO.	E	D	C	B	A	EMBOSSED TAPE PKG ORDER No.	MATERIAL NO.	極数 CKT.

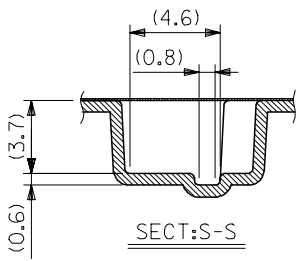
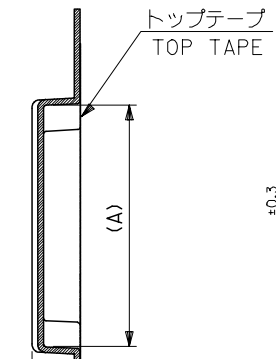
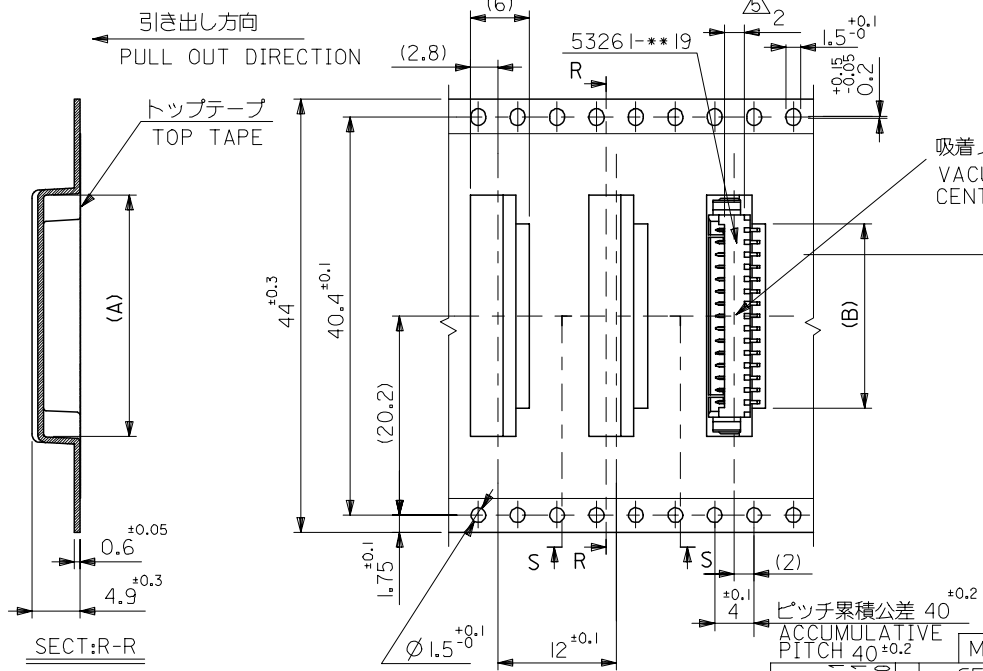
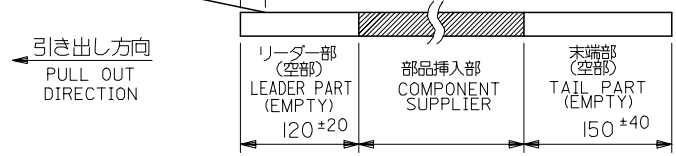
REVISED EC NO: J2016-1122 DRWN: QHE31 CHKD: SAKIYAMA APPR: IKANEKO	GENERAL TOLERANCES (UNLESS SPECIFIED)		DIMENSION STYLE		SCALE	DESIGN UNITS		THIRD ANGLE PROJECTION	
	0.25 UNDER	UNDER	±0.03	MM ONLY		10:1	METRIC		
	0.25 OVER	0.5 UNDER	±0.05	DRAWN BY	DATE	TITLE			
	0.5 OVER	1.0 UNDER	±0.1	HS HIMABU	04/02/06	1.25 WIRE TO BOARD WAFER ASS FOR SMT			
1.0 OVER	10 UNDER	±0.2	CHECKED BY	DATE					
10 OVER	30 UNDER	±0.25	KTOJO	04/02/06					
30 OVER		±0.3	APPROVED BY	DATE	SEE CHART		SD-53261-024	SHEET NO.	
ANGULAR	±3 °		MSASAO	04/02/06				1 OF 1	
DRAFT WHERE APPLICABLE MUST REMAIN WITHIN DIMENSIONS			SIZE	THIS DRAWING CONTAINS INFORMATION THAT IS PROPRIETARY TO MOLEX ELECTRONIC TECHNOLOGIES, LLC AND SHOULD NOT BE USED WITHOUT WRITTEN PERMISSION					
			A3						



注記
NOTES

- 53261-**-19 の詳細寸法については図面 SD-53261-024 を参照下さい。
RE DETAILED DIMENSIONS, SEE SD-53261-024
- 梱包数量: 1000個/リール
NUMBER OF CONNECTOR: 1000PCS/REEL
- リードテープ長さ LEAD TAPE LENGTH

トップテープリーダー部 TOP TAPE LEADER PART	トップテープ未接着部 TOP TAPE NON-BONDED PART
175 ±25	25 ±5
- 材料 (MATERIAL)
 キャリアテープ (CARRIER TAPE): ポリプロピレン (POLYPROPYLENE)
 トップテープ (TOP TAPE): PET, PE, PEF
 リール (REEL): ポリスチレン (PS) <リサイクル材含む>
 POLYSTYREN (PS) <RECYCLE MATERIAL CONTAINED>
- コネクタ、ハウジング平面部
CONNECTOR, HOUSING FLAT AREA
- 本製品は、シリカゲル入りポリ袋梱包とする。SPK-53261-002 参照。
THIS PRODUCT IS SILICAGEL PACKAGE. SEE SPK-53261-002.
- ELV 及び RoHS 適合品
ELV AND RoHS COMPLIANT



44mm幅キャリアテープ
44mm WIDTH CARRIER TAPE

ピッチ累積公差 40 ±0.2
ACCUMULATIVE PITCH 40 ±0.2

RELEASED	EC NO: J2008-0056	2007/07/31	2007/07/31	2007/08/10	GENERAL TOLERANCES (UNLESS SPECIFIED)	DIMENSION STYLE	SCALE	DESIGN UNITS	THIRD ANGLE PROJECTION
DRWN:KSAITO	CHKD:THARUYAMA	APPR:NUKITA	MODEL NO.	53261-**-71	10 UNDER ±0.2	MM ONLY	---	METRIC	☉ □
10 OVER ±0.25	30 UNDER ±0.25	30 OVER ±0.3	ANGULAR	±3 °	DRAFT WHERE APPLICABLE MUST REMAIN WITHIN DIMENSIONS	DRAWN BY DATE		TITLE	
K.SAITO 2007/07/06		T.HARUYAMA 2007/07/06		N.UKITA 2007/07/06		1.25 W/B CONN WAFER ASSY FOR SMT EMBSTP PKG		MATERIAL. NO. 極数	
MATERIAL NO.		DOCUMENT NO.		SHEET NO.		MOLEX INCORPORATED		1 OF 1	
SEE TABLE		SD-53261-048		1 OF 1		THIS DRAWING CONTAINS INFORMATION THAT IS PROPRIETARY TO MOLEX INCORPORATED AND SHOULD NOT BE USED WITHOUT WRITTEN PERMISSION			