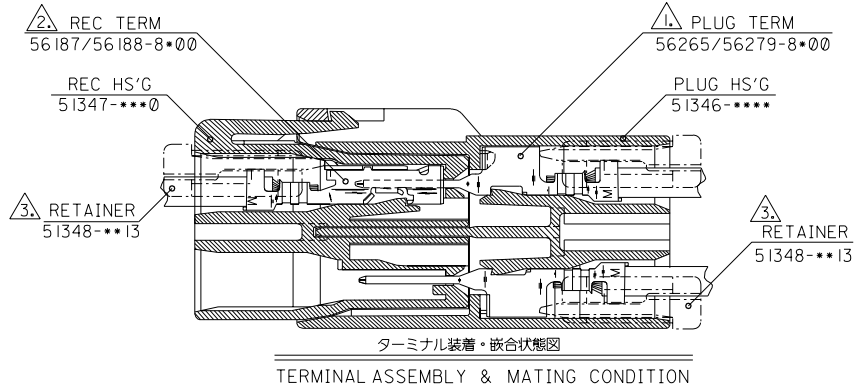
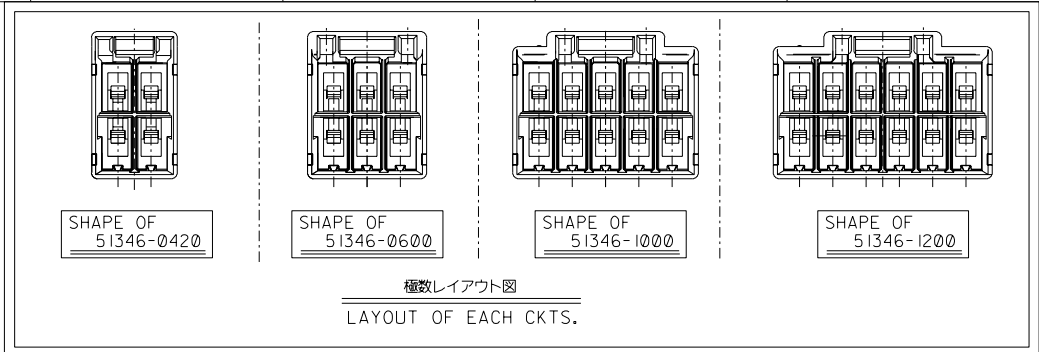
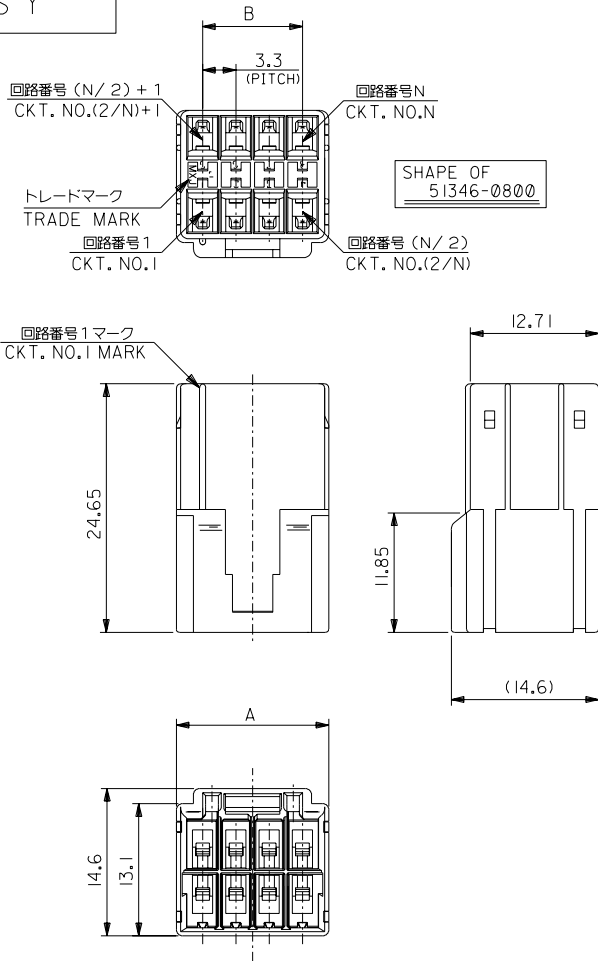


本図は2列品を示す
DUAL ROW ASS'Y



注記

NOTES

- ① 適合ターミナル：56265/56279シリーズ
APPLICABLE TERMINAL：56265/56279 SERIES
- ② 適合ターミナル：56187/56188シリーズ
APPLICABLE TERMINAL：56187/56188 SERIES
- ③ 適合リテーナー：51348-***1* シリーズ
APPLICABLE RETAINER：51348-***1* SERIES
- 4, 材料 : NYLON66, UL94V-0
MATERIAL

51347-1200	51348-0613	NATURAL	16.5	21.7	12	51346-1200	
-1000	-0513		13.2	18.4	10	-1000	51346-***
-0800	-0413		9.9	15.1	8	-0800	
-0600	-0313		6.6	11.8	6	-0600	
51347-0420	51348-0213	NATURAL	3.3	8.5	4	51346-0420	
MATE WITH	CONFORMABLE-RETAINER	COLOR	B	A	CKT.	MATERIAL NO.	MODEL NO.

DO NOT SCALE DRAWING

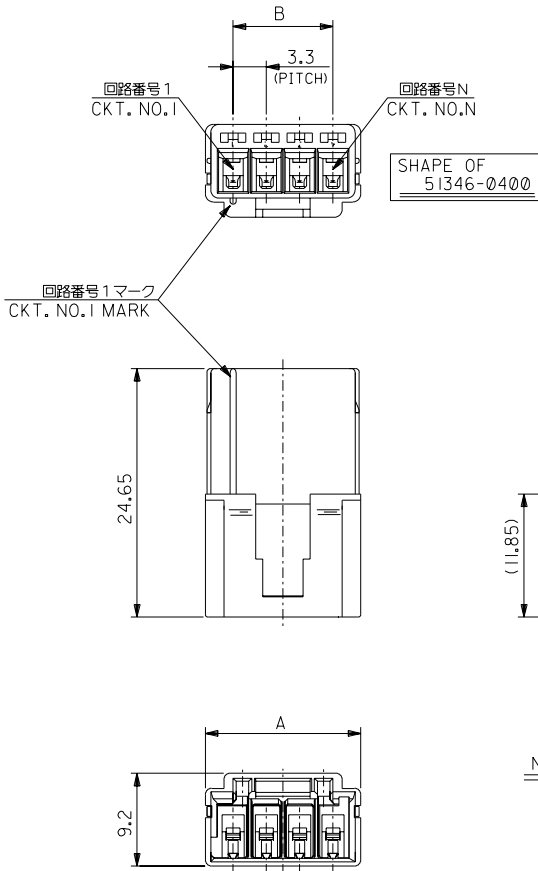
①6 NO. DRWN: CH'K: APPR:	①63 NO. DRWN: CH'K: APPR:	①62 NO. DRWN: CH'K: APPR:	①6 NO. DRWN: CH'K: APPR:	RELEASED ①6 NO. J2004-1974 DRWN: T.ODA '04/01/19 CH'K: S.ICHIKAWA APPR: YO.IITO	DESCRIPTION MATERIAL 材料	FINISH 仕上げ	WIRE RANGE 適用電線範囲	INS. RANGE 被覆外径
///	///	///	///	///	///	///	///	///

GENERAL TOLERANCES: (UNLESS SPECIFIED) 一般公差		SCALE 1/1	DESIGN UNITS <input checked="" type="checkbox"/> mm <input type="checkbox"/> INCH
10 UNDER 未満	±0.2	DRAWN BY & DATE <i>TODA</i> '04/01/15	
10 OVER 30 UNDER 以上 未満	±0.25	CHECKED BY & DATE <i>S. Ichikawa</i>	
30 OVER 以上	±0.3	APPROVED BY & DATE <i>Y. Ito</i>	
ANGLE 角度	±3°	CAD FILENAME SD-51347-001.S01	

DIMENSIONS: <input type="checkbox"/> mm <input type="checkbox"/> INCH		<input checked="" type="checkbox"/> mm ONLY	<input type="checkbox"/> INCH ONLY	SHT	REV
3.3 mm WIRE TO WIRE CONN. PLUG HOUSING		TITLE:			
MOLEX MOLEX INCORPORATED		MATERIAL NO.	DRAWING NO.	SHEET NO.	
		SEE CHART	SD-51346-001	1 OF 2	
DRAWING CONTAINS INFORMATION THAT IS PROPRIETARY TO MOLEX INCORPORATED AND SHOULD NOT BE USED WITHOUT WRITTEN PERMISSION.					SIZE B

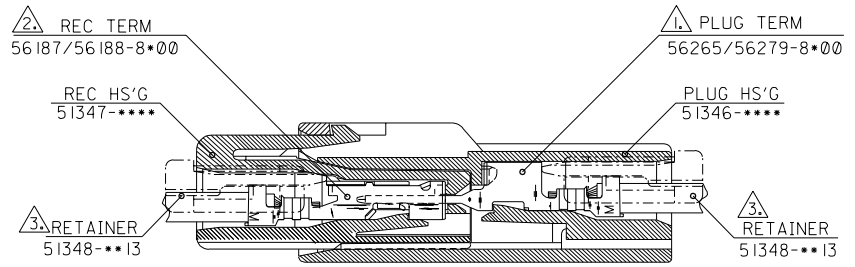
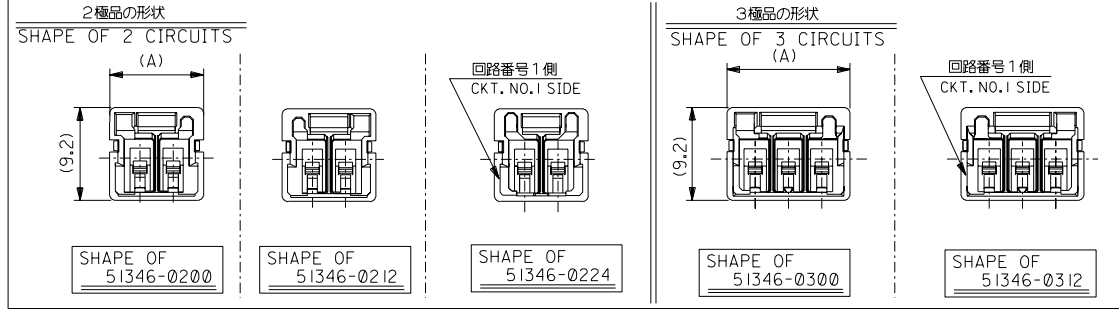
DO NOT SCALE DRAWING

本図は1列品を示す
SINGLE ROW ASS'Y



- 注記 NOTES
- △ 適合ターミナル: 56265/56279シリーズ
APPLICABLE TERMINAL: 56265/56279 SERIES
 - △ 適合ターミナル: 56187/56188シリーズ
APPLICABLE TERMINAL: 56187/56188 SERIES
 - △ 適合リテーナー: 51348シリーズ
APPLICABLE RETAINER: 51348 SERIES
4. 材料 MATERIAL : NYLON66, UL94V-0

各種形状を下記に示す。
尚、嵌合間口にて嵌合バリエーションを持たせている為組み合わせには注意して下さい。



ターミナル装着・嵌合状態図
TERMINAL ASSEMBLY & MATING CONDITION

51347-0400	51348-0413	NATURAL	9.9	15.1	4	51346-0400	51346-****
-0312	-0313	RED	6.6	12.1	3	-0312	
-0300	-0313	NATURAL	6.6	12.1		-0300	
-0224	-0213	BLUE	3.3	9.3		-0224	
-0212	-0213	RED	3.3	9.3	2	-0212	
51347-0200	51348-0213	NATURAL	3.3	9.3		51346-0200	
MATE WITH	CONFORMABLE-RETAINER	COLOR	B	A	CKT.	MATERIAL NO.	MODEL NO.

①	②	③	④	⑤	⑥	⑦	⑧
DRWN: CH'K: APPR:	DRWN: CH'K: APPR:	DRWN: CH'K: APPR:	DRWN: CH'K: APPR:	DRWN: CH'K: APPR:	DRWN: CH'K: APPR:	DRWN: CH'K: APPR:	DRWN: CH'K: APPR:
SEE SHEET 1							
DESCRIPTION							
MATERIAL 材料							
FINISH 仕上げ							
WIRE RANGE 適用電線範囲							
INS. RANGE 被覆外径							

GENERAL TOLERANCES: (UNLESS SPECIFIED) 一般公差	
10 UNDER 未満	±0.2
10 OVER 30 UNDER 未満	±0.25
30 OVER 以上	±0.3
ANGLE 角度	±3°

SCALE	DESIGN UNITS	TITLE: 3.3 mm WIRE TO WIRE CONN. PLUG HOUSING (SINGLE ROW)
DRAWN BY & DATE	FORWARD ANGLE PROJECTION	
CHECKED BY & DATE		
APPROVED BY & DATE		
CAD FILENAME	MATERIAL NO.	MATERIAL NO.
SD-51346-001.S02	SEE CHART	
DRAWING NO.		SHEET NO.
SD-51346-001		

MOLEX INCORPORATED

THIS DRAWING CONTAINS INFORMATION THAT IS PROPRIETARY TO MOLEX INCORPORATED AND SHOULD NOT BE USED WITHOUT WRITTEN PERMISSION.

SIZE B