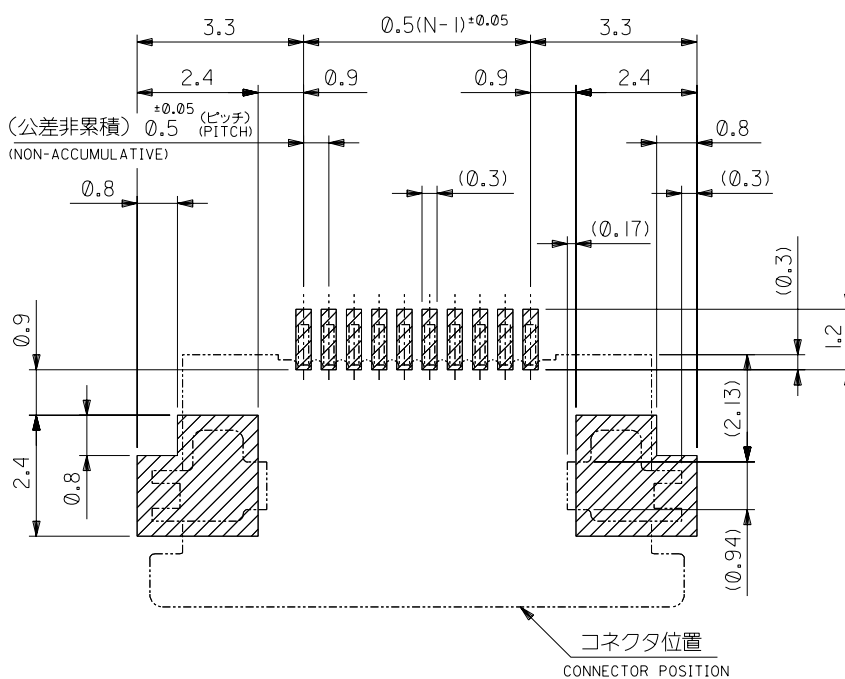


30.5	29.3	25.65	24.5	54104 - 5037	50
28.5	27.3	23.65	22.5	54104 - 4637	46
28.0	26.8	23.15	22.0	54104 - 4537	45
27.0	25.8	22.15	21.0	54104 - 4337	43
25.5	24.3	20.65	19.5	54104 - 4037	40
24.5	23.3	19.65	18.5	54104 - 3837	38
23.5	22.3	18.65	17.5	54104 - 3637	36
23.0	21.8	18.15	17.0	54104 - 3537	35
22.5	21.3	17.65	16.5	54104 - 3437	34
22.0	20.8	17.15	16.0	54104 - 3337	33
21.5	20.3	16.65	15.5	54104 - 3237	32
20.5	19.3	15.65	14.5	54104 - 3037	30
D	C	B	A	MATERIAL NO.	CKT.

DO NOT SCALE DRAWING

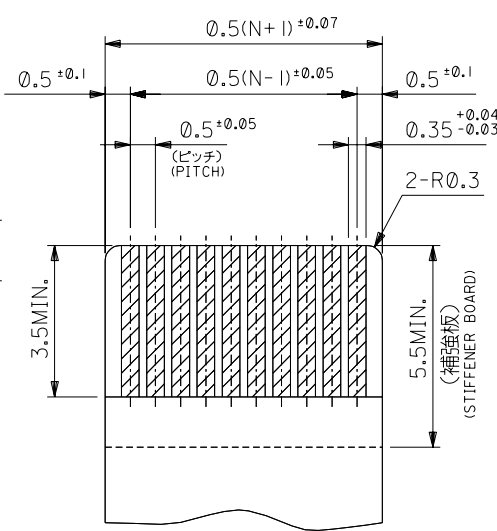
0.64 NO. DRWN: CH'K: APPR:	0.63 NO. DRWN: CH'K: APPR:	変更 REVISED 03/04/17 02003-2624 DRWN: K.TOJO CH'K: M.SASAO APPR: M.SASAO	変更 REVISED 02/10/15 02003-0977 DRWN: K.TOJO CH'K: M.SASAO APPR: M.SASAO	新規作成 RELEASED 00/12/13 02001-0415 DRWN: N.YANO CH'K: S.KUNISHI APPR: M.FUKUSHIMA	MATERIAL 材料 SHEET 2 OF 2 参照 SEE SHEET 2 OF 2
					FINISH 仕上げ //
WIRE RANGE 適用層線範囲 //	INS. RANGE 被覆外径 //	DESCRIPTION 0	GENERAL TOLERANCES: (UNLESS SPECIFIED) 一般公差	SCALE DESIGN UNITS <input checked="" type="checkbox"/> mm <input type="checkbox"/> INCH	DIMENSIONS: <input type="checkbox"/> mm <input type="checkbox"/> INCH <input checked="" type="checkbox"/> mm ONLY

10 UNDER 未満 0.2	10 OVER 30 UNDER 未満 0.25	30 OVER 以上 0.3	ANGLE 角度 *3°	DRAWN BY & DATE N.YANO 00/12/13	CHECKED BY & DATE S.KUNISHI 00/12/13	APPROVED BY & DATE M.FUKUSHIMA 00/12/13	CAD FILENAME SD-54104-023.S01	TITLE: 0.5 FPC Conn Zif Hsg Assy for SMT RA Upr Cont	MOLEX MOLEX INCORPORATED	MATERIAL NO. 54104-***37	DRAWING NO. SD-54104-023	SHEET NO. 1 OF 2
*BIBS DRAWING CONTAINS INFORMATION THAT IS PROPRIETARY TO MOLEX INCORPORATED AND SHOULD NOT BE USED WITHOUT WRITTEN PERMISSION.											SIZE B	

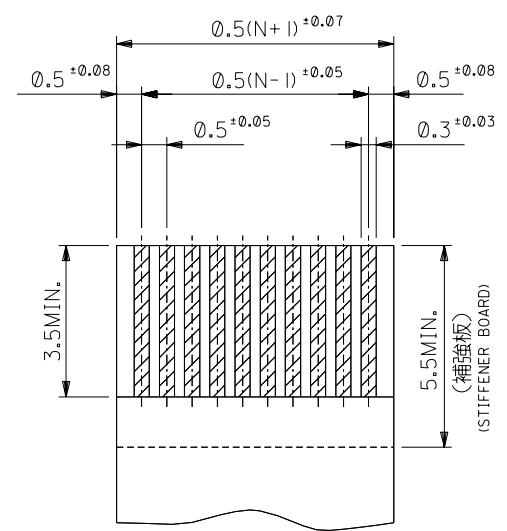


参考基板レイアウト
RECOMMENDED P.C.BOARD
PATTERN DIMENSION (REF.)

(マウント面)
(MOUNTING SIDE)



適合FPC推奨寸法
APPLICABLE FPC
RECOMMENDED DIMENSION
(仕上がり厚さ: 0.3±0.03)
(THICKNESS: 0.3±0.03)



適合FFC推奨寸法
APPLICABLE FFC
RECOMMENDED DIMENSION
(仕上がり厚さ: 0.3±0.03)
(THICKNESS: 0.3±0.03)

注記 NOTES

I. 使用材料 MATERIAL

ハウジング : 46ナイロン, UL 94V-0
HOUSING : 46NYLON

アクチュエータ : PPS, UL 94V-0
ACTUATOR

ターミナル : リン青銅, 銅下地半田メッキ (t=0.2)
TERMINAL : PHOS-BRO.TIN-LEAD(9:1) 3~5 MICRON METER OVER COPPER 1~2.5 MICRON METER PLATED

金具 : リン青銅, 銅下地半田メッキ (t=0.2)
FITTING NAIL : PHOS-BRO.TIN-LEAD(9:1) 3~5 MICRON METER OVER COPPER 1~2.5 MICRON METER PLATED

2. エンボステープ梱包時は、アクチュエータがロックした状態とする。
IN THE PACKAGE, ACTUATOR OF PART NO.54104-37 SHOULD BE LOCKED.

△ソルダーテール半田付け面のズレ量、及び金具半田付け面のズレ量は、基準面 H に対し上方向 0.1 MAX. 下方向 0.15 MAX. とし、相互のバラツキ量は、0.1 MAX. とする。
MISALIGNMENT OF SOLDER TAILS AND FITTING NAILS FROM UPPER DIRECTION: 0.1 MAX., LOWER DIRECTION: 0.15 MAX. OFFSET BETWEEN UPPER AND LOWER 0.1 MAX. H

△偶数極に適用。
APPLY FOR EVEN CIRCUIT.

△パターンはくり止め用金具
FITTING NAIL FOR PREVENTION OF PEELING OF P.C.B. PATTERN.

FPC/FFCについて

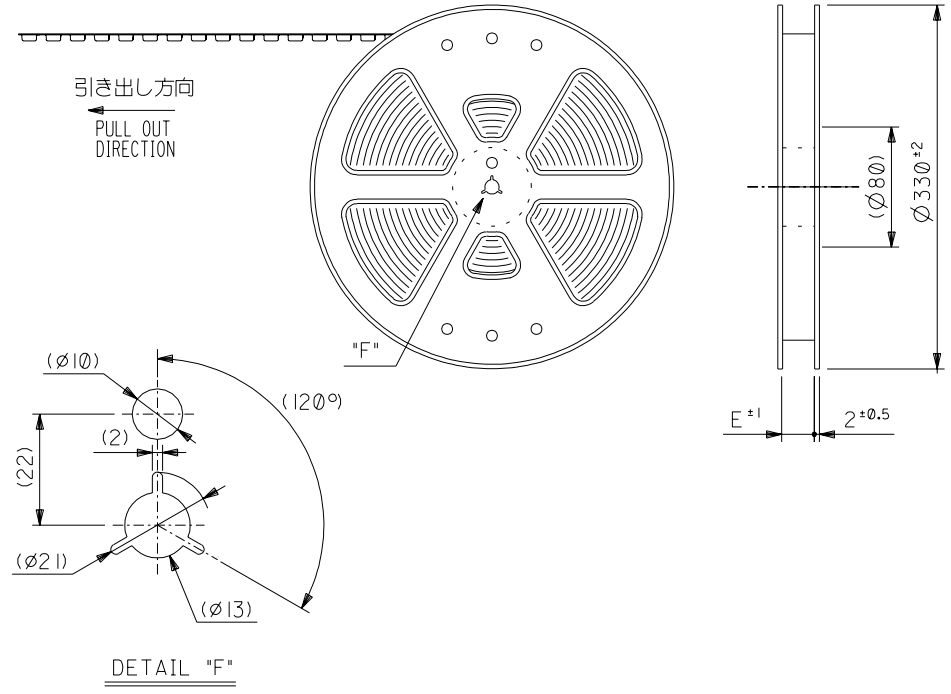
打抜き方向は導体側から補強板側を推奨いたします。
導体部については軟銅箔35マイクロメーターまたは50マイクロメーターメッキ厚 3~9マイクロメーター錫または半田メッキ (電気メッキ)
RECOMMENDED PUNCHER DIRECTION:
FROM CONDUCTOR SIDE TO STIFFENER BOARD SIDE.
RECOMMENDED CONDUCTOR SPEC.:
THICKNESS OF SOFT COPPER FOIL:
35 micrometer or 50 micrometer
TIN OR SOLDER PLATING:
3~9 micrometer (ELECTRICAL PLATING)

DO NOT SCALE DRAWING

図番 NO. DRAWN: CH'K: APPR:	図番 NO. DRAWN: CH'K: APPR:	変更 REVISED 図番 NO. J2003-2624 DRAWN: K.TOJO CH'K: M.SASAO APPR: M.SASAO	変更 REVISED 図番 NO. J2003-0977 DRAWN: K.TOJO CH'K: M.SASAO APPR: M.SASAO	新規作成 RELEASED 図番 NO. J2001-0415 DRAWN: N.YANO CH'K: S.KUNISHI APPR: M.FUKUSHIMA	MATERIAL 材料 FINISH 仕上げ WIRE RANGE 適用線径範囲 INS. RANGE 被覆外径	注記参照 SEE NOTES — —

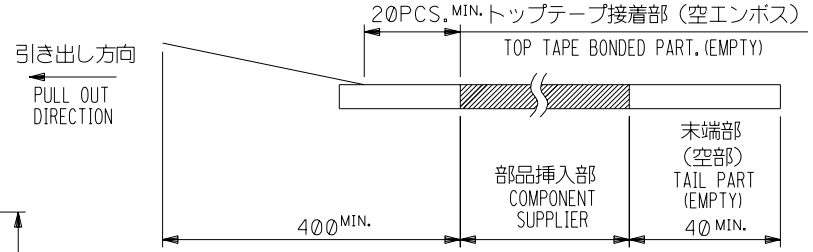
GENERAL TOLERANCES: (UNLESS SPECIFIED) 一般公差		SCALE	DESIGN UNITS <input checked="" type="checkbox"/> mm <input type="checkbox"/> INCH	DIMENSIONS: <input type="checkbox"/> mm <input type="checkbox"/> INCH <input checked="" type="checkbox"/> mm ONLY	SHT	REV		
10 UNDER 未満	±0.2	DRAWN BY & DATE N.YANO '00/12/13	PROJECTION <input checked="" type="checkbox"/> 1st ANGLE				TITLE: 0.5 FPC Conn Zif Hsg Assy for SMT RA Up Cont	
10 OVER 30 UNDER 未満	±0.25	CHECKED BY & DATE S.KUNISHI '00/12/13	MOLEX MOLEX INCORPORATED		CAD FILENAME SD-54104-023.S02	MATERIAL NO. 54104-37		DRAWING NO. SD-54104-023
30 OVER 以上	±0.3	APPROVED BY & DATE M.FUKUSHIMA '00/12/13	EN-02J(097) MXJ-54					
ANGLE 角度	±3°	THIS DRAWING CONTAINS INFORMATION THAT IS PROPRIETARY TO MOLEX INCORPORATED AND SHOULD NOT BE USED WITHOUT WRITTEN PERMISSION.				SIZE B		

SD-54104-023.S02

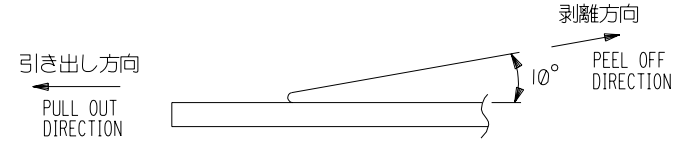


NOTES

- 梱包数量：1500個/リール
NUMBER OF CONNECTORS : 1500PCS/REEL
- リードテープ長さ LEAD TAPE LENGTH
20PCS. MIN. トップテープ接着部 (空エンボス)

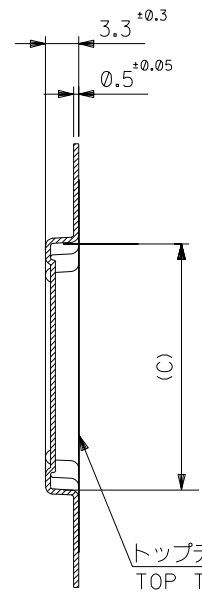


- トップテープの剥離強度：0.1N ~ 0.7N (10.2gf ~ 71.4gf)
(剥離方向は下図参照)
尚、本規格値は出荷時に適用。(但し、輸送時に剥離が発生しないこと。)
PEELING OFF FORCE OF TOP TAPE : 0.1N ~ 0.7N (10.2gf ~ 71.4gf)
(PEELING DIRECTION AS SHOWN IN FOLLOWING FIG.)
THIS REQUIREMENT SHOULD BE APPLIED AT SHIPMENT.
PEEL OFF SHOULD NOT BE ALLOWED , DURING TRANSPORTATION.



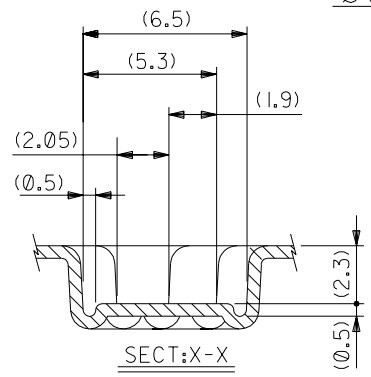
- 材料 (MATERIAL)
キャリアテープ (CARRIER TAPE) : ポリプロピレン (POLYPROPYLENE)
トップテープ (TOP TAPE) : PET, PE, PEF
リール (REEL) : ポリスチレン (PS) <リサイクル材を含む>
POLYSTYREN (PS) <RECYCLE MATERIAL CONTAINED>

②64 NO. DRWN: CH'K: APPR:	②63 NO. DRWN: CH'K: APPR:	②62 NO. DRWN: CH'K: APPR:	変更 REVISED '02/10/15 ②61 NO. JZ003-0977 DRWN: K.TOJO CH'K: M.SASAO APPR: M.SASAO	新規作成 RELEASED '00/12/13 ②60 NO. JC2001-0415 DRWN: N.YANO CH'K: S.KUNISHI APPR: M.FUKUSHIMA	MATERIAL 材料 注記参照 SEE NOTES	GENERAL TOLERANCES: (UNLESS SPECIFIED) 一般公差	SCALE	DESIGN UNITS <input checked="" type="checkbox"/> mm <input type="checkbox"/> INCH	DIMENSIONS: <input type="checkbox"/> mm <input type="checkbox"/> INCH <input checked="" type="checkbox"/> mm ONLY	SHT	REV	
			A	0	FINISH 仕上げ —//—	10 UNDER 未満 ±0.2	DRAWN BY & DATE N.YANO '00/12/13	TITLE: Embstp Pkg for 0.5 FPC Conn Zif Hsg Assy	10 OVER 30 UNDER 未満 ±0.25	CHECKED BY & DATE S.KUNISHI '00/12/13	④ 2θ 投影 PROJECTION	MOLEX MOLEX INCORPORATED
8	7	6	5	4	3	2	1	④ 2θ 投影 PROJECTION	CAD FILENAME SD-54104-024.S01	MATERIAL NO. 54104-**92	DRAWING NO. SD-54104-024	SHEET NO. 1 OF 2
THIS DRAWING CONTAINS INFORMATION THAT IS PROPRIETARY TO MOLEX INCORPORATED AND SHOULD NOT BE USED WITHOUT WRITTEN PERMISSION.										SIZE B	EN-02J(097) MXJ-54	



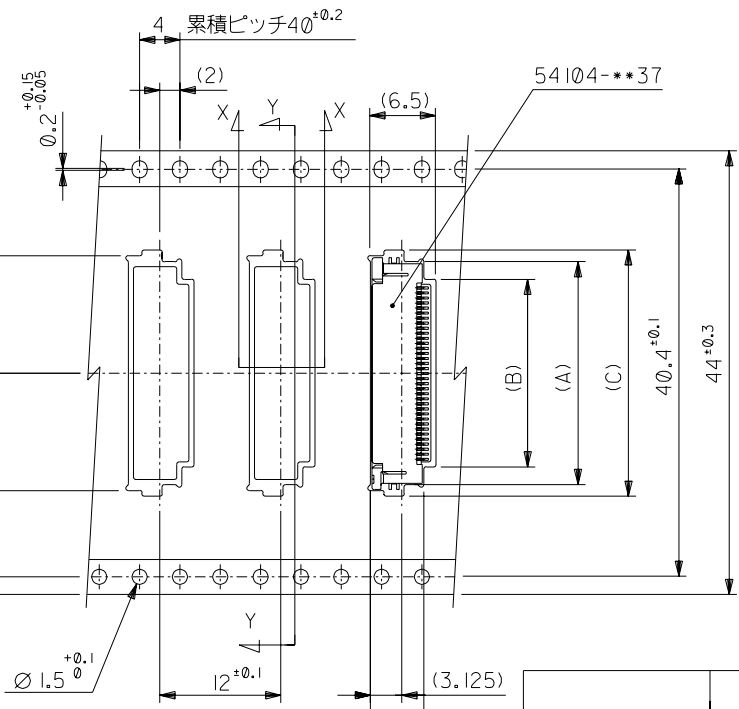
SECT:Y-Y

トップテープ
TOP TAPE



SECT:X-X
(SCALE:5-1)

引き出し方向



44	45.5	30.8	31.9	26.1	29.6	54104-5092	50
		28.8	29.9	24.1	27.6	-4692	46
		28.3	29.4	23.6	27.1	-4592	45
		27.3	28.4	22.6	26.1	-4392	43
		25.8	26.9	21.1	24.6	-4092	40
		24.8	25.9	20.1	23.6	-3892	38
		23.8	24.9	19.1	22.6	-3692	36
		23.3	24.4	18.6	22.1	-3592	35
		22.8	23.9	18.1	21.6	-3492	34
		22.3	23.4	17.6	21.1	-3392	33
		21.8	22.9	17.1	20.6	-3292	32
		20.8	21.9	16.1	19.6	54104-3092	30
キャリアテープ幅 CARRIER TAPE WIDTH	E	D	C	B	A	MATERIAL NO.	CKT.

DO NOT SCALE DRAWING

64 NO. DRWN: CH'K: APPR:	63 NO. DRWN: CH'K: APPR:	62 NO. DRWN: CH'K: APPR:	変更 REVISED 102/10/015 61 NO. JZ003-0977 DRWN: K.TOJO CH'K: M.SASAO APPR: M.SASAO	新規作成 RELEASED 00/12/13 60 NO. JC2001-0415 DRWN: N.YANO CH'K: S.KUNISHI APPR: M.FUKUSHIMA	MATERIAL 材料 SHEET 1 OF 2 参照 REFER TO SHEET 1 OF 2
WIRE RANGE 適用層線範囲	FINISH 仕上げ	INS. RANGE 被覆外径	〃	〃	〃
REV	DESCRIPTION				

GENERAL TOLERANCES: (UNLESS SPECIFIED) 一般公差	SCALE	DESIGN UNITS <input checked="" type="checkbox"/> mm <input type="checkbox"/> INCH	DIMENSIONS: <input type="checkbox"/> mm <input type="checkbox"/> INCH <input checked="" type="checkbox"/> mm ONLY	SHT 2 OF 2	REV 0
10 UNDER 未満 ±0.2 10 OVER 30 UNDER 未満 ±0.25 30 OVER 以上 ±0.3	DRAWN BY & DATE N.YANO '00/12/13	CHECKED BY & DATE S.KUNISHI '00/12/13	TITLE: Embstp Pkg for 0.5 FPC Conn Zif Hsg Assy	MOLEX INCORPORATED	CAD FILENAME SD-54104-024.S02
ANGLE 角度 ±3°	APPROVED BY & DATE M.FUKUSHIMA '00/12/13	MATERIAL NO. 54104-***92	DRAWING NO. SD-54104-024	SHEET NO. 2 OF 2	THIS DRAWING CONTAINS INFORMATION THAT IS PROPRIETARY TO MOLEX INCORPORATED AND SHOULD NOT BE USED WITHOUT WRITTEN PERMISSION.