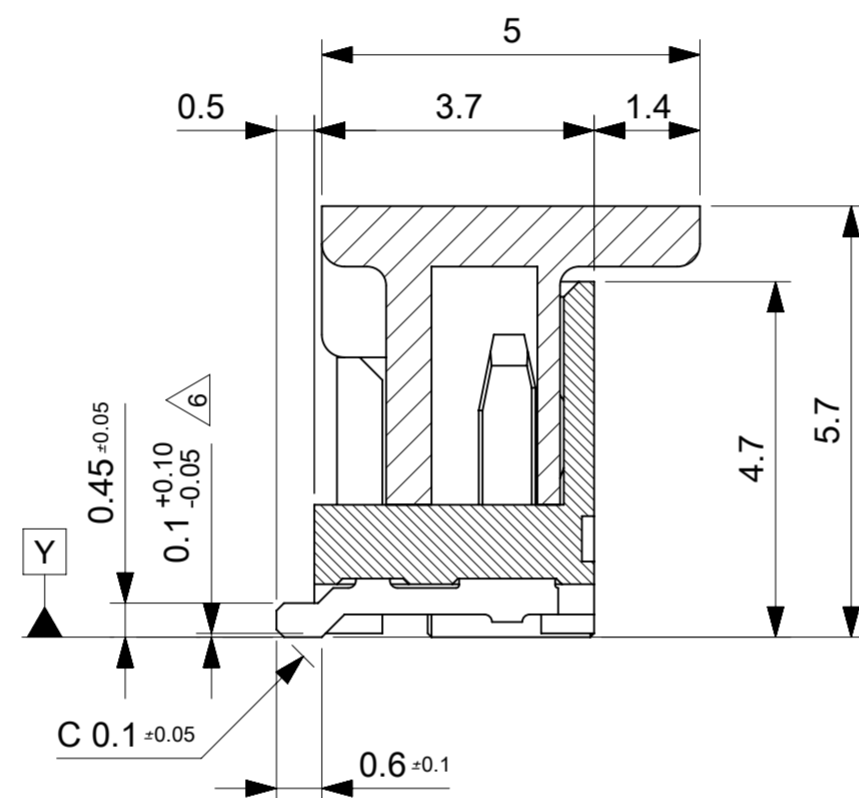
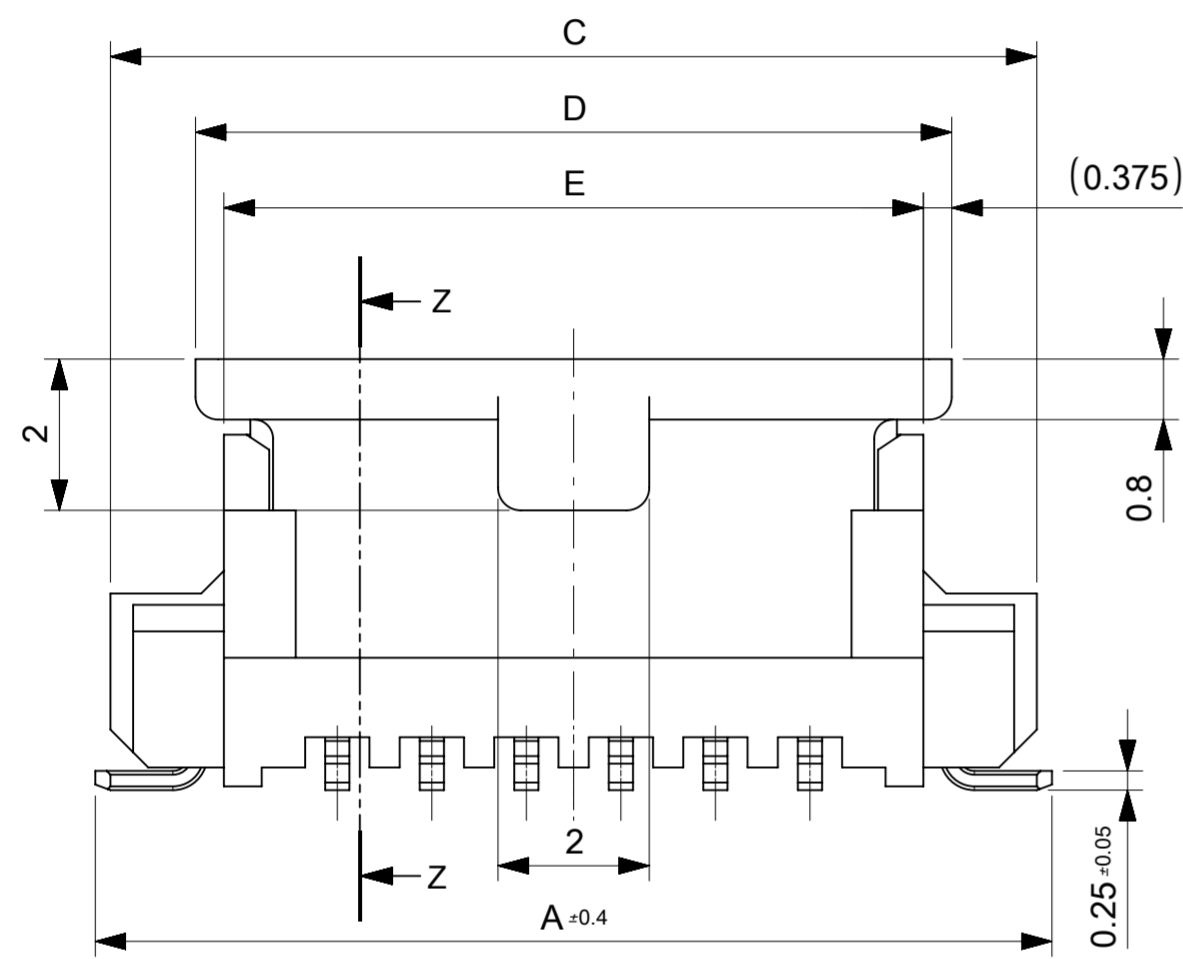
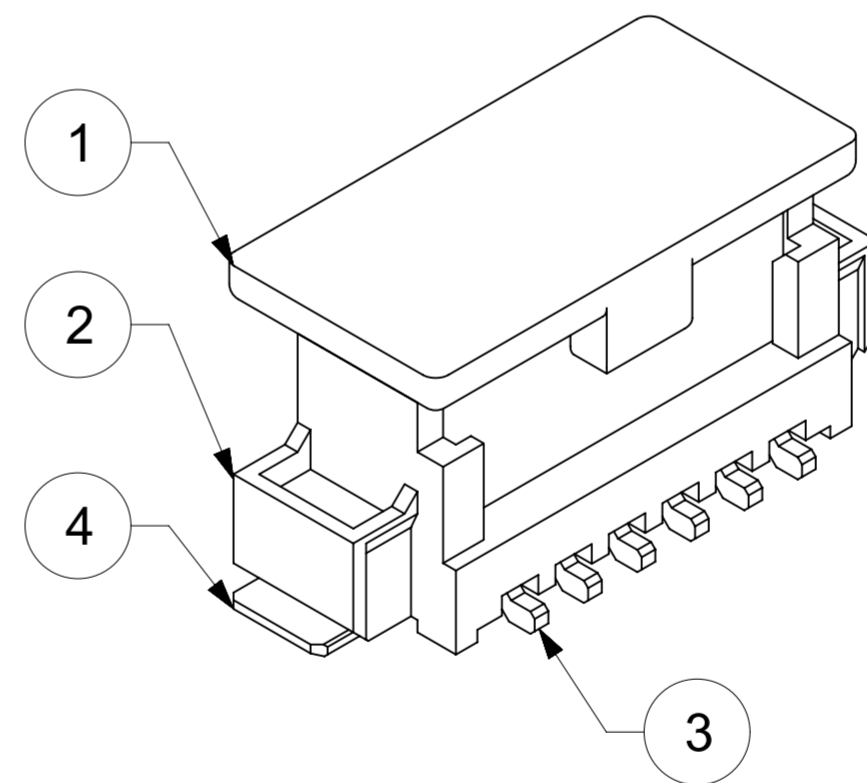


NOTES

- ① 材料および仕上げ (めっき仕様) : TABLE 1参照  
MATERIAL AND FINISHES : SEE TABLE 1
- 2. 製品仕様書 : PS-51021-025  
PRODUCT SPECIFICATION : PS-51021-025
- 3. 梱包形態 : SHEET 3 参照  
PACKAGING INFORMATION : SEE SHEET 3
- 4. アプリケーション仕様書 (取扱説明書) : 510210000-AS  
APPLICATION SPECIFICATION : 510210000-AS
- ⑤ 嵌合相手 : 51021 シリーズ  
MATE WITH : 51021 SERIES
- ⑥ 水平面上におけるハウジング底面 Y とソルダーテール及びネイル底面とのズレ量を示す。  
MISALIGNMENT OF SOLDER TAIL AND NAIL FROM Y
- 7. 端子テール部およびネイルの平坦度は0.1以下  
COPLANARITY OF TAIL AND NAIL TO BE 0.1 MAX



SECTION Z-Z



18.6	19.3	20.5	21.25	23.5	17.5	23.9	15
17.35	18.05	19.25	20	22.25	16.25	22.65	14
16.1	16.8	18	18.75	21	15	21.4	13
14.85	15.55	16.75	17.5	19.75	13.75	20.15	12
13.6	14.3	15.5	16.25	18.5	12.5	18.9	11
12.35	13.05	14.25	15	17.25	11.25	17.65	10
11.1	11.8	13	13.75	16	10	16.4	9
9.85	10.55	11.75	12.5	14.75	8.75	15.15	8
8.6	9.3	10.5	11.25	13.5	7.5	13.9	7
7.35	8.05	9.25	10	12.25	6.25	12.65	6
6.1	6.8	8	8.75	11	5	11.4	5
4.85	5.55	6.75	7.5	9.75	3.75	10.15	4
3.6	4.3	5.5	6.25	8.5	2.5	8.9	3
2.35	3.05	4.25	5	7.25	1.25	7.65	2
G	F	E	D	C	B	A	極数 CIRCUIT SIZE

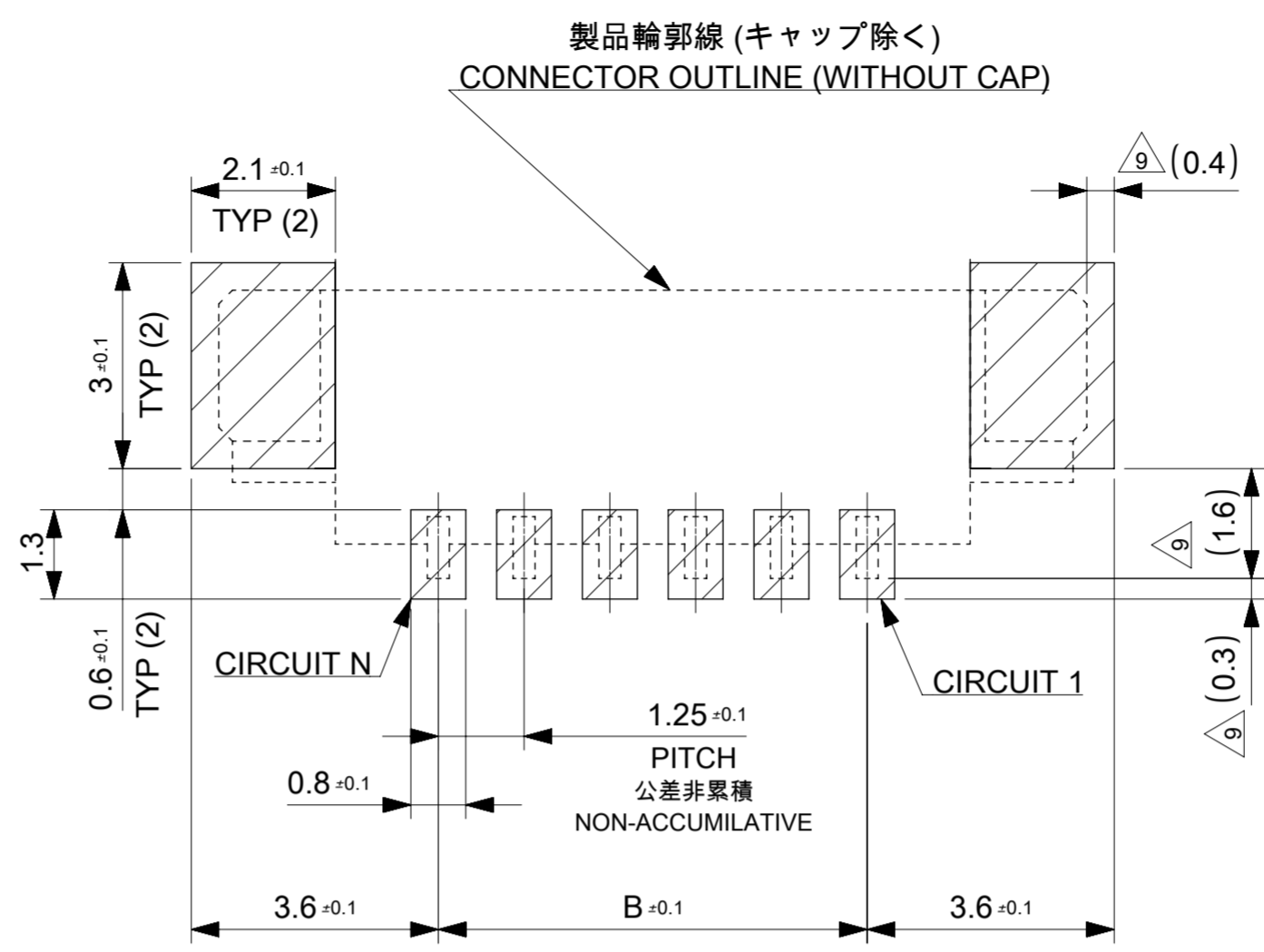
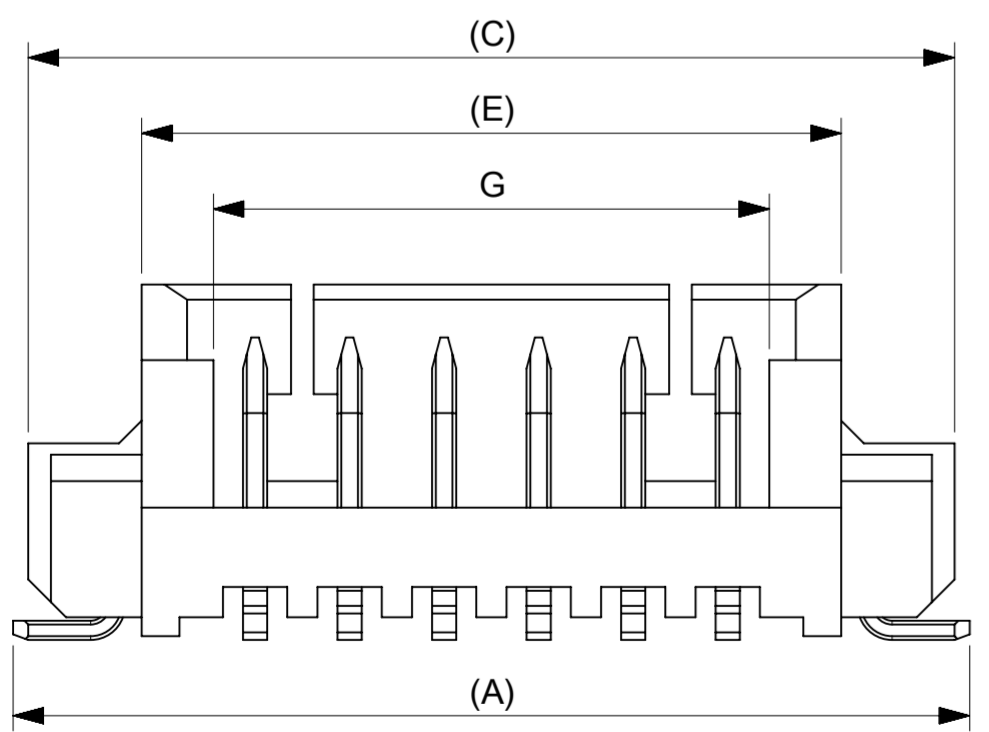
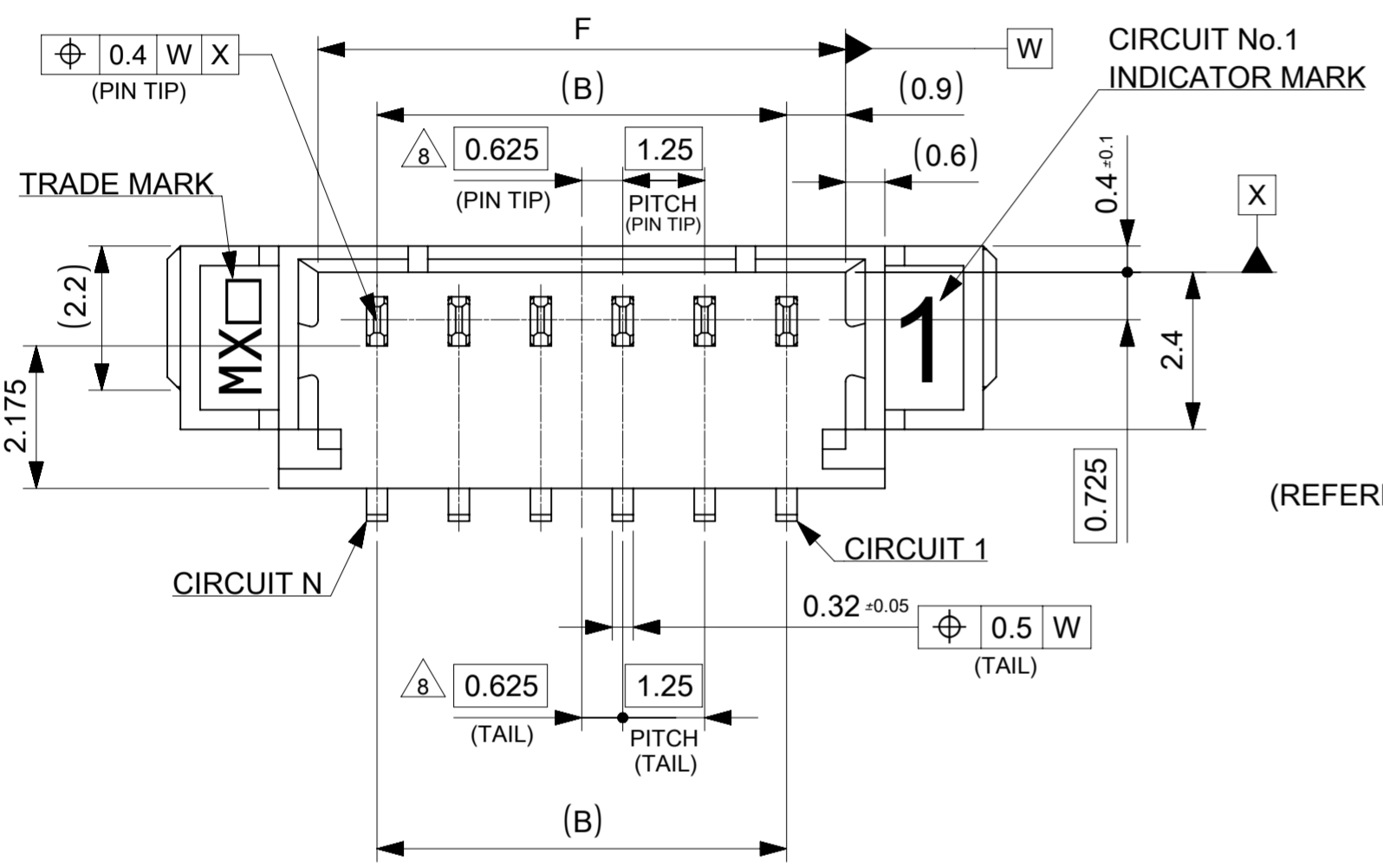
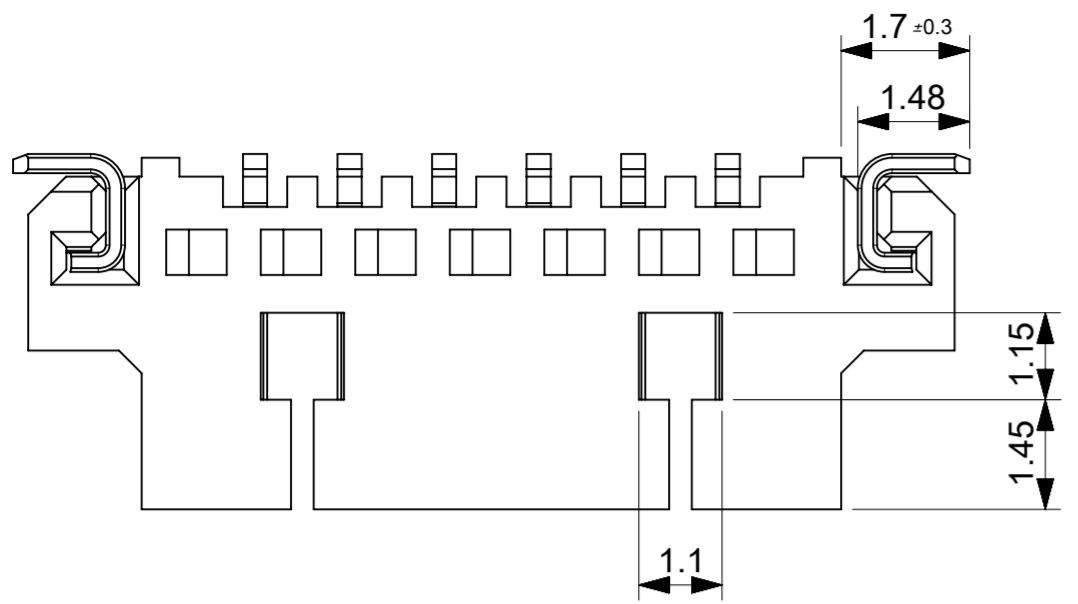
① TABLE 1

番号 NO.	部品 PART	材質 MATERIAL	
①	吸着キャップ VACUUM CAP	ポリアミド(PA), UL94V-0, GLASS-FILLED, 色: ナチュラル(ベージュ) POLYAMIDE(PA), UL94V-0, GLASS-FILLED, COLOR: NATURAL(BEIGE)	
②	ハウジング HOUSING	ポリアミド(PA), UL94V-0, GLASS-FILLED, 色: ナチュラル(ベージュ) POLYAMIDE(PA), UL94V-0, GLASS-FILLED, COLOR: NATURAL(BEIGE)	
③	ターミナル TERMINAL	母材 MATERIAL	りん青銅 PHOSPHOER BRONZE
		コンタクト部 CONTACT AREA	無光沢錫めっき 1.0 MICROMETER MINIMUM
		テール部 TAIL AREA	MATTE TIN PLATING 1.0 MICROMETER MINIMUM
④	ネイル NAIL	下地めっき UNDER PLATING	ニッケルめっき 1.0 MICROMETER MINIMUM NICKEL PLATING 1.0 MICROMETER MINIMUM
		母材 MATERIAL	りん青銅 PHOSPHOER BRONZE
		テール部 TAIL AREA	無光沢錫めっき 1.0 MICROMETER MINIMUM MATTE TIN PLATING 1.0 MICROMETER MINIMUM
		下地めっき UNDER PLATING	ニッケルめっき 1.0 MICROMETER MINIMUM NICKEL PLATING 1.0 MICROMETER MINIMUM

THIS DRAWING CONTAINS INFORMATION THAT IS PROPRIETARY TO MOLEX ELECTRONIC TECHNOLOGIES, LLC AND SHOULD NOT BE USED WITHOUT WRITTEN PERMISSION

DIMENSION UNITS	SCALE	CURRENT REV DESC:		<b>molex</b>			
mm	NTS						
GENERAL TOLERANCES (UNLESS SPECIFIED)				PICOBLADE 1.25 SMT VERTICAL TYPE WITH VACUUM CAP			
ANGULAR TOL	± 3.0°	EC NO: 626512		PRODUCT CUSTOMER DRAWING			
4 PLACES	± 0.2	DRWN: SOBARA01	2019/10/28	DOCUMENT NUMBER			
3 PLACES	± 0.2	CHK'D: KOMURAKAMI	2019/10/30	533980001-SD			
2 PLACES	± 0.2	APPR: AIDA	2019/10/30	DOC TYPE   DOC PART   REVISION			
1 PLACE	± 0.2	INITIAL REVISION:		PSD   000   B			
0 PLACES	± 0.2	DRWN: SOBARA01	2019/04/10	MATERIAL NUMBER			
DRAFT WHERE APPLICABLE MUST REMAIN WITHIN DIMENSIONS		APPR: SAKIYAMA	2019/04/25	CUSTOMER		SHEET NUMBER	
THIRD ANGLE PROJECTION		DRAWING	SERIES	GENERAL		1 OF 3	
A2-SIZE		53398	SEE CHART OF SHEET 3				

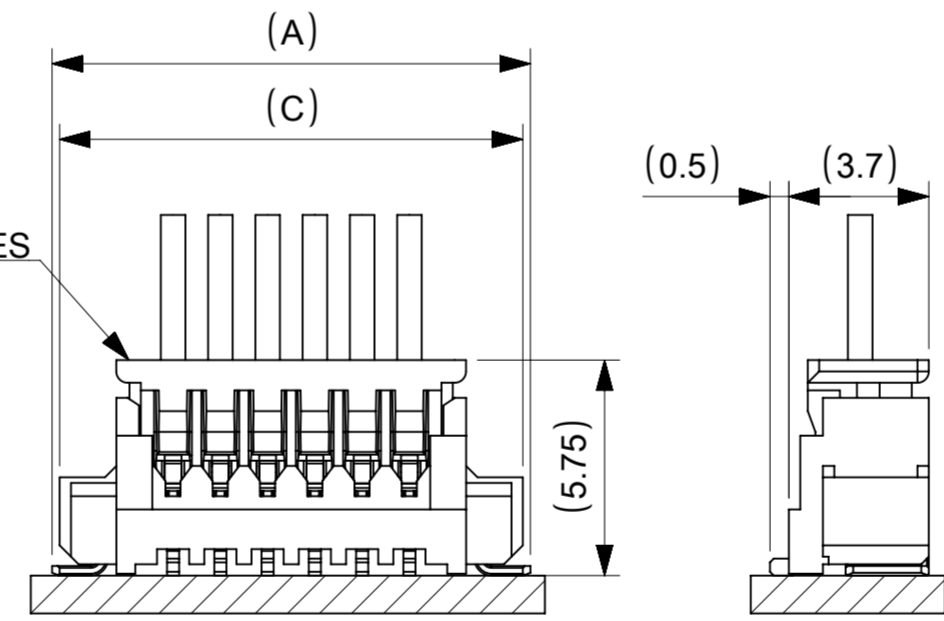
キャップを外した状態  
WITHOUT CAP



推奨基板レイアウト  
RECOMMENDED P.W.B. PATTERN

(参考 : 基板厚 1.0 MILLIMETER, メタルマスク厚さ: 0.15 MILLIMETER, マスク開口率:100%)  
(REFERENCE : P.W.B THICKNESS 1.0 MILLIMETER, STENCIL THICKNESS: 0.15 MILLIMETER, APERTURE:100%)

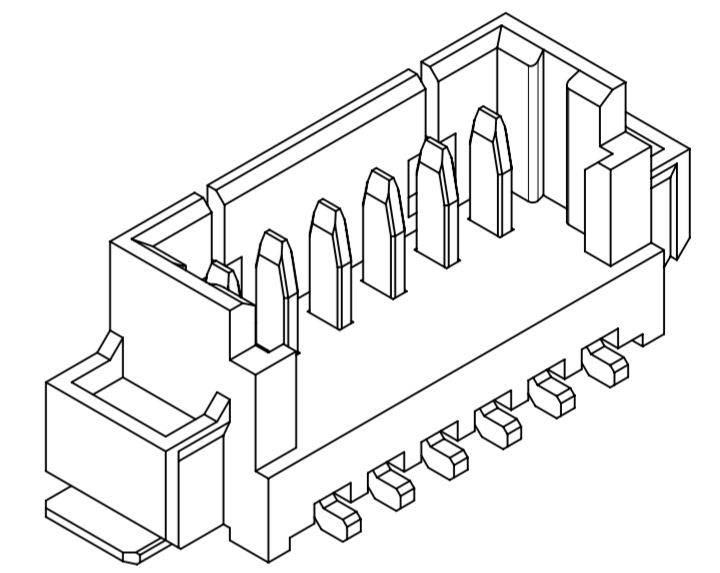
嵌合相手 : 51021 シリーズ  
MATE WITH : 51021 SERIES



嵌合図  
MATED CONNECTORS

NOTES

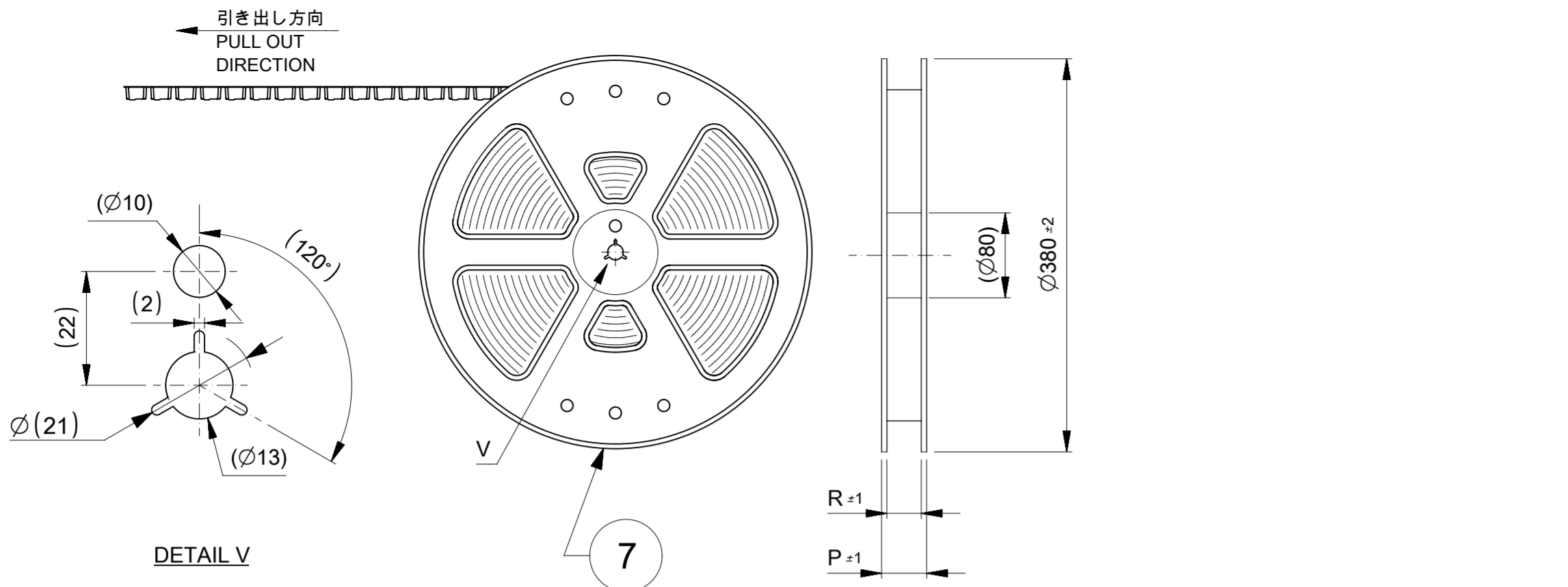
- △8 偶数極のみに適用  
APPLY TO EVEN CIRCUIT PRODUCTS.
- △9 製品輪郭線からパッドまでの寸法を示す。  
DIMENSIONS FROM CONNECTOR OUTLINE TO PAD
- △10 製品の基板実装部以外の金属露出部と基板パターンとの干渉、および製品と基板上の突起物との干渉が生じないようにご配慮をお願いいたします。  
PLEASE TAKE CARE NOT TO CAUSE INTERFERENCE BETWEEN EXPOSED METAL PARTS EXCLUDING MOUNTING PORTION OF PRODUCT AND PWB PATTERN, AND INTERFERENCE BETWEEN PRODUCT AND PROTRUSIONS ON PWB.



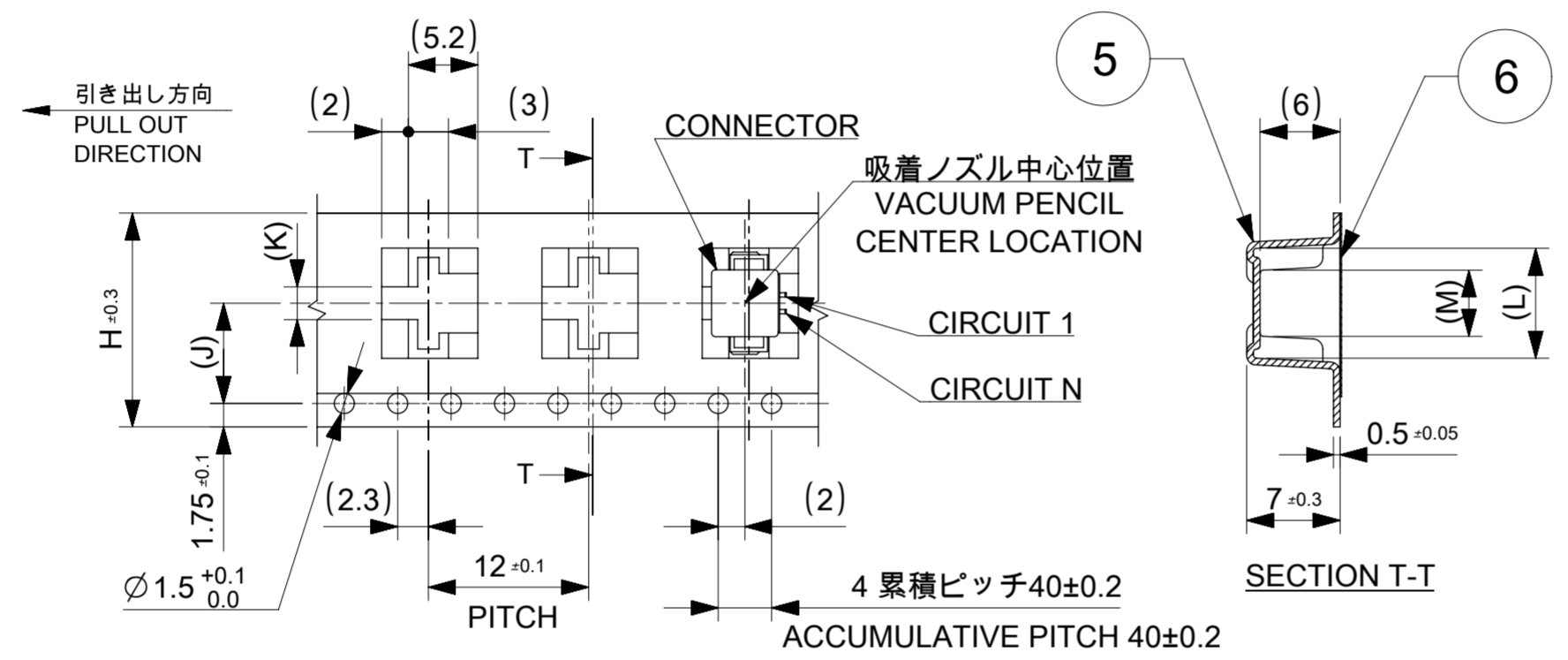
18.6	19.3	20.5	21.25	23.5	17.5	23.9	15
17.35	18.05	19.25	20	22.25	16.25	22.65	14
16.1	16.8	18	18.75	21	15	21.4	13
14.85	15.55	16.75	17.5	19.75	13.75	20.15	12
13.6	14.3	15.5	16.25	18.5	12.5	18.9	11
12.35	13.05	14.25	15	17.25	11.25	17.65	10
11.1	11.8	13	13.75	16	10	16.4	9
9.85	10.55	11.75	12.5	14.75	8.75	15.15	8
8.6	9.3	10.5	11.25	13.5	7.5	13.9	7
7.35	8.05	9.25	10	12.25	6.25	12.65	6
6.1	6.8	8	8.75	11	5	11.4	5
4.85	5.55	6.75	7.5	9.75	3.75	10.15	4
3.6	4.3	5.5	6.25	8.5	2.5	8.9	3
2.35	3.05	4.25	5	7.25	1.25	7.65	2
G	F	E	D	C	B	A	極数 CIRCUIT SIZE

THIS DRAWING CONTAINS INFORMATION THAT IS PROPRIETARY TO MOLEX ELECTRONIC TECHNOLOGIES, LLC AND SHOULD NOT BE USED WITHOUT WRITTEN PERMISSION

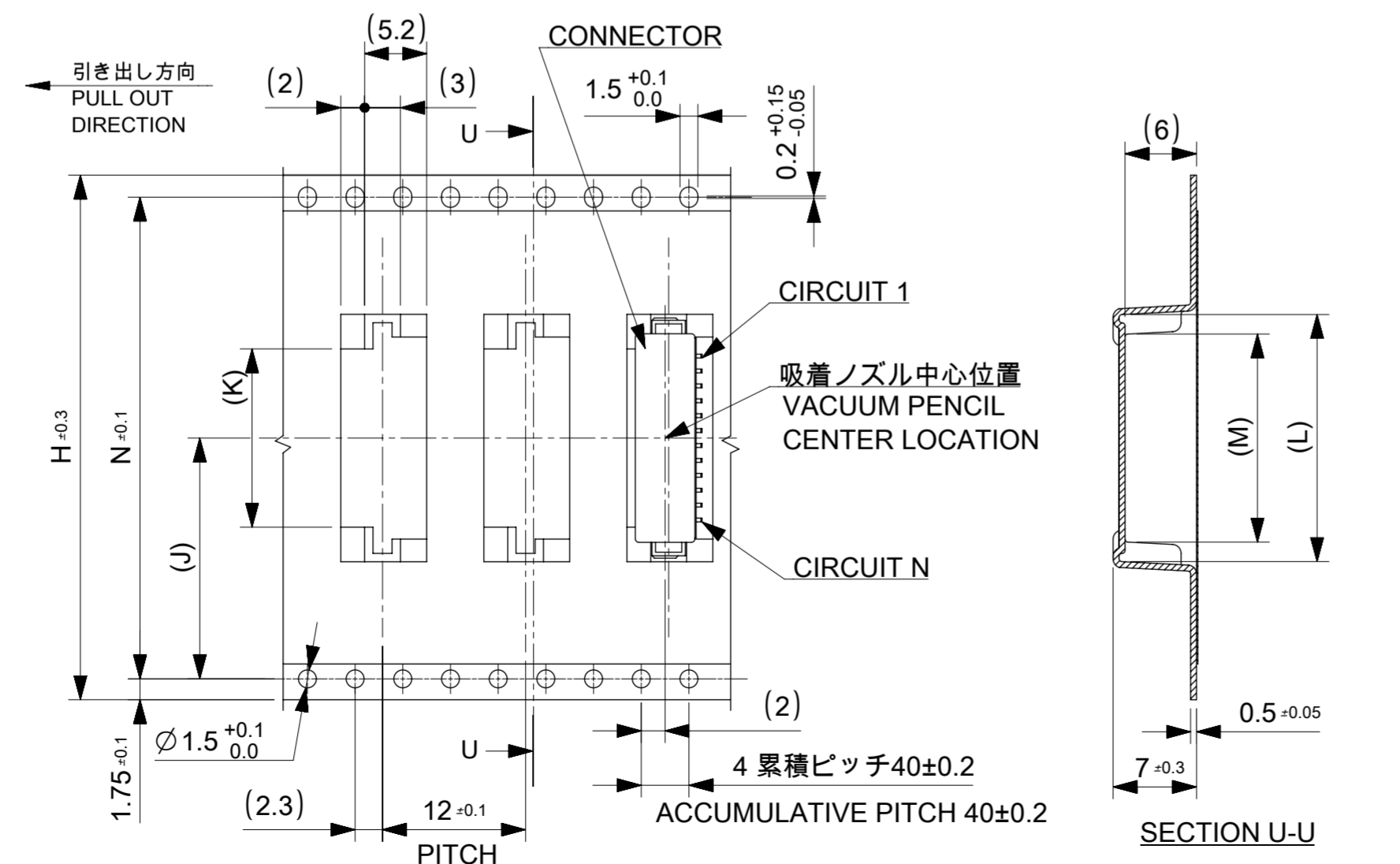
DIMENSION UNITS	SCALE	CURRENT REV DESC:	<b>molex</b>		
mm	NTS				
GENERAL TOLERANCES (UNLESS SPECIFIED)			PICOBLADE 1.25 SMT VERTICAL TYPE WITH VACUUM CAP		
ANGULAR TOL	± 3.0°	EC NO: 626512	PRODUCT CUSTOMER DRAWING		
4 PLACES	± 0.2	DRWN: SOBARA01 2019/10/28	DOCUMENT NUMBER		
3 PLACES	± 0.2	CHK'D: KOMURAKAMI 2019/10/30	533980001-SD		
2 PLACES	± 0.2	APPR: AIDA 2019/10/30	DOC TYPE   DOC PART   REVISION		
1 PLACE	± 0.2	INITIAL REVISION:	PSD   000   B		
0 PLACES	± 0.2	DRWN: SOBARA01 2019/04/10	MATERIAL NUMBER		
DRAFT WHERE APPLICABLE MUST REMAIN WITHIN DIMENSIONS			CUSTOMER		
THIRD ANGLE PROJECTION			GENERAL		
DRAWING			SHEET NUMBER		
A2-SIZE			2 OF 3		
SERIES			SEE CHART OF SHEET 3		
53398					



DETAIL V



16mm幅(2極用) および24mm幅(3~8極用)キャリアテープ  
16mm (FOR 2 CIRCUIT) OR 24mm (FOR 3-8 CIRCUIT) WIDTH CARRIER TAPE



32mm幅(9~11極用) および44mm幅(12~15極用)キャリアテープ  
32mm (FOR 9-11 CIRCUIT) OR 44mm (FOR 12-15 CIRCUIT) WIDTH CARRIER TAPE

NOTES

- 11. 梱包数量：1000個/リール  
NUMBER OF CONNECTOR : 1000PCS / REEL
- 12. リードテープ長さ  
LEAD TAPE LENGTH
- 13. 材料：TABLE 2 参照  
MATERIAL : REFER TO TABLE 2
- 14. トップテープの剥離強度はIEC60286-3に準拠  
TOP TAPE PELING FORCE IS DEFINED BY IEC60286-3.
- 15. 本製品は乾燥剤入り、ハイバリア梱包仕様による納品となります。  
THIS PRODUCT IS DELIVERED IN A HIGH BARRIER PACKAGE WITH DESICCANT.
- 16. 梱包仕様書：SPK-53398-002  
PACKAGING SPECIFICATION : SPK-53398-002

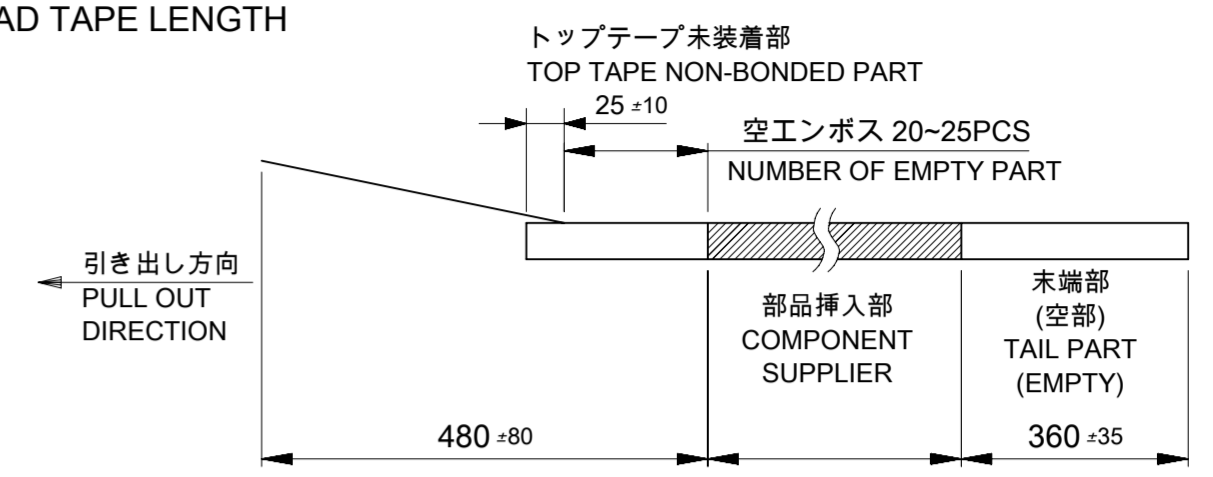


TABLE 2

番号 NO.	部品 PART	材質 MATERIAL
⑤	キャリアテープ CARRIER TAPE	ポリプロピレン(PP) POLYPROPYLENE(PP)
⑥	トップテープ TOP TAPE	ポリエチレン (PE)、その他 POLYETHYLENE (PE), ETC
⑦	リール REEL	ポリスチレン(PS) <リサイクル材を含む> POLYSTYRENE(PS) < RECYCLE MATERIAL CONTAINED >

17. 発注番号  
ORDER NUMBER  
**53398\*\*67**

極数  
CIRCUIT

533981567	15
533981467	14
533981367	13
533981267	12
533981167	11
533981067	10
533980967	9
533980867	8
533980767	7
533980667	6
533980567	5
533980467	4
533980367	3
533980267	2
発注番号 ORDER NO.	極数
PACKAGING : EMBOSSED TAPE AND REEL	CIRCUIT

THIS DRAWING CONTAINS INFORMATION THAT IS PROPRIETARY TO MOLEX ELECTRONIC TECHNOLOGIES, LLC AND SHOULD NOT BE USED WITHOUT WRITTEN PERMISSION

DIMENSION UNITS	SCALE	CURRENT REV DESC:	molex			
mm	NTS		PICOBLADE 1.25 SMT VERTICAL TYPE WITH VACUUM CAP			
GENERAL TOLERANCES (UNLESS SPECIFIED)						
ANGULAR TOL	± 3.0°	EC NO: 626512	PRODUCT CUSTOMER DRAWING			
4 PLACES	± 0.2	DRWN: SOBARA01 2019/10/28				
3 PLACES	± 0.2	CHK'D: KOMURAKAMI 2019/10/30	DOCUMENT NUMBER: 533980001-SD DOC TYPE: PSD DOC PART: 000 REVISION: B			
2 PLACES	± 0.2	APPR: AIDA 2019/10/30				
1 PLACE	± 0.2	INITIAL REVISION:	MATERIAL NUMBER: SEE CHART OF SHEET 3 CUSTOMER: GENERAL SHEET NUMBER: 3 OF 3			
0 PLACES	± 0.2	DRWN: SOBARA01 2019/04/10				
DRAFT WHERE APPLICABLE MUST REMAIN WITHIN DIMENSIONS		THIRD ANGLE PROJECTION	DRAWING: A2-SIZE	SERIES: 53398		