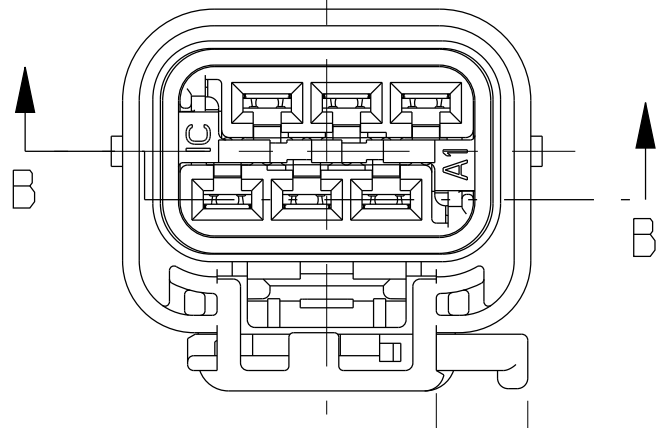
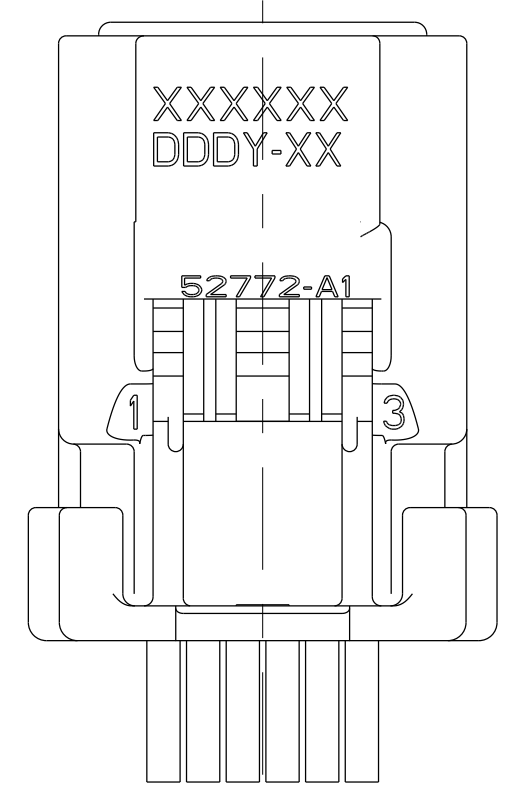


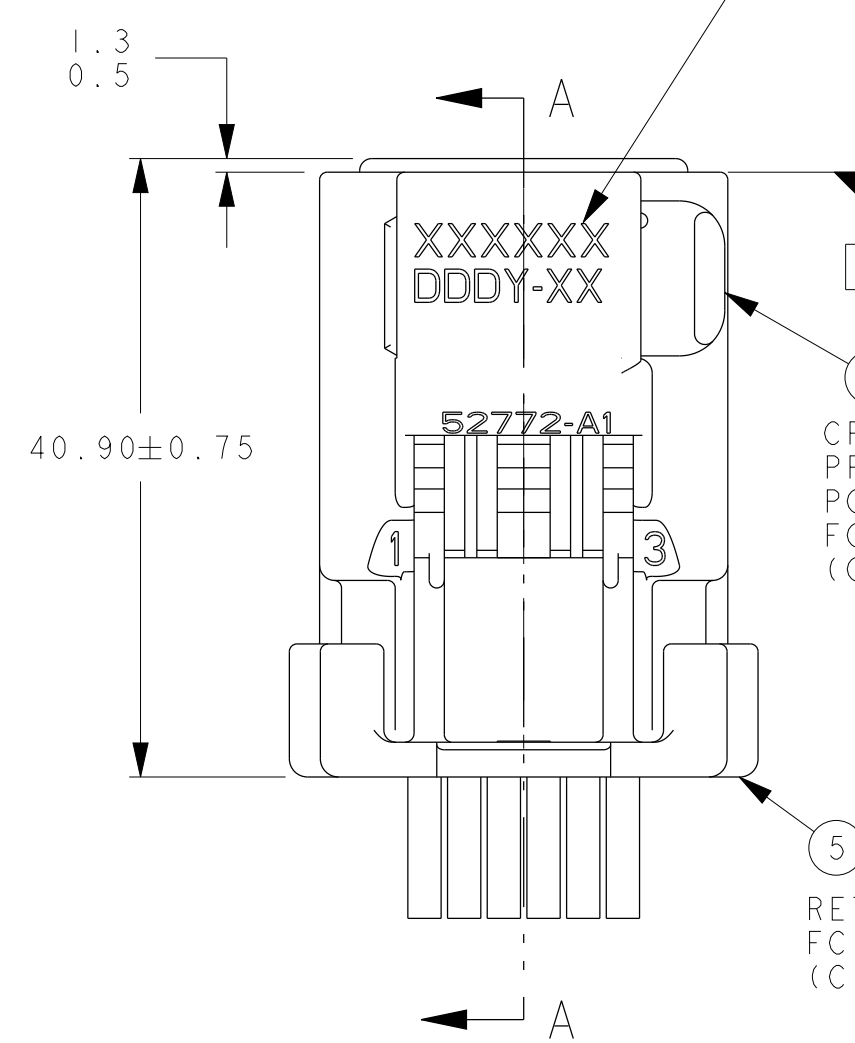
END VIEW
W/O CPA



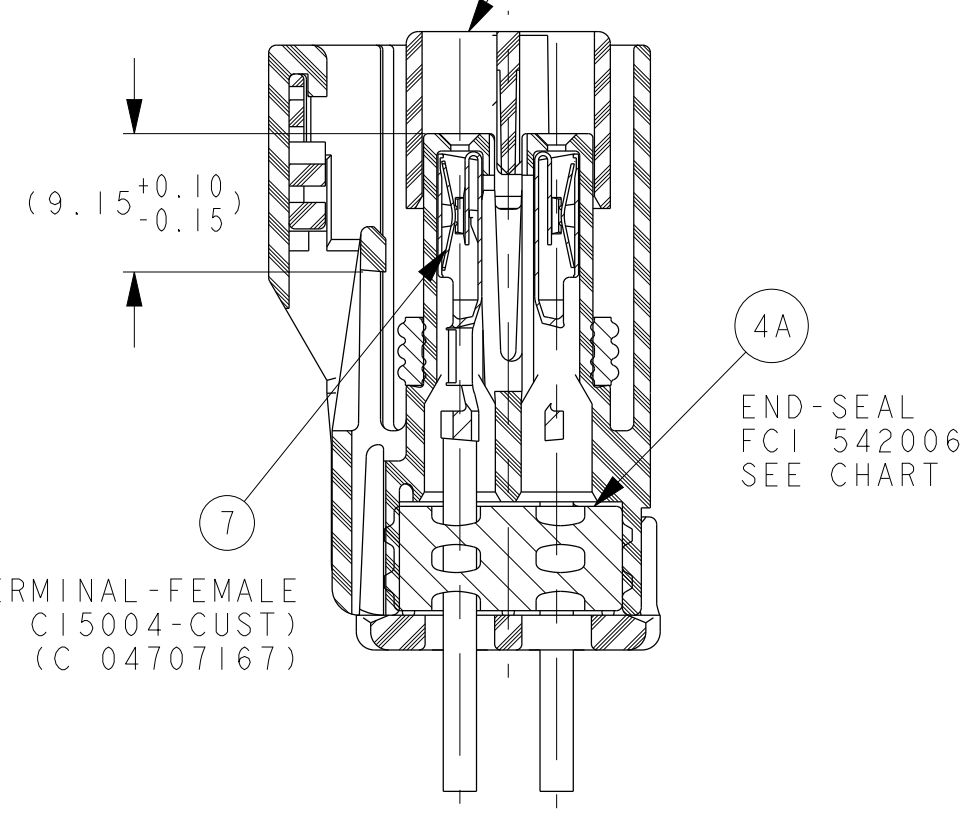
END VIEW
W/ CPA



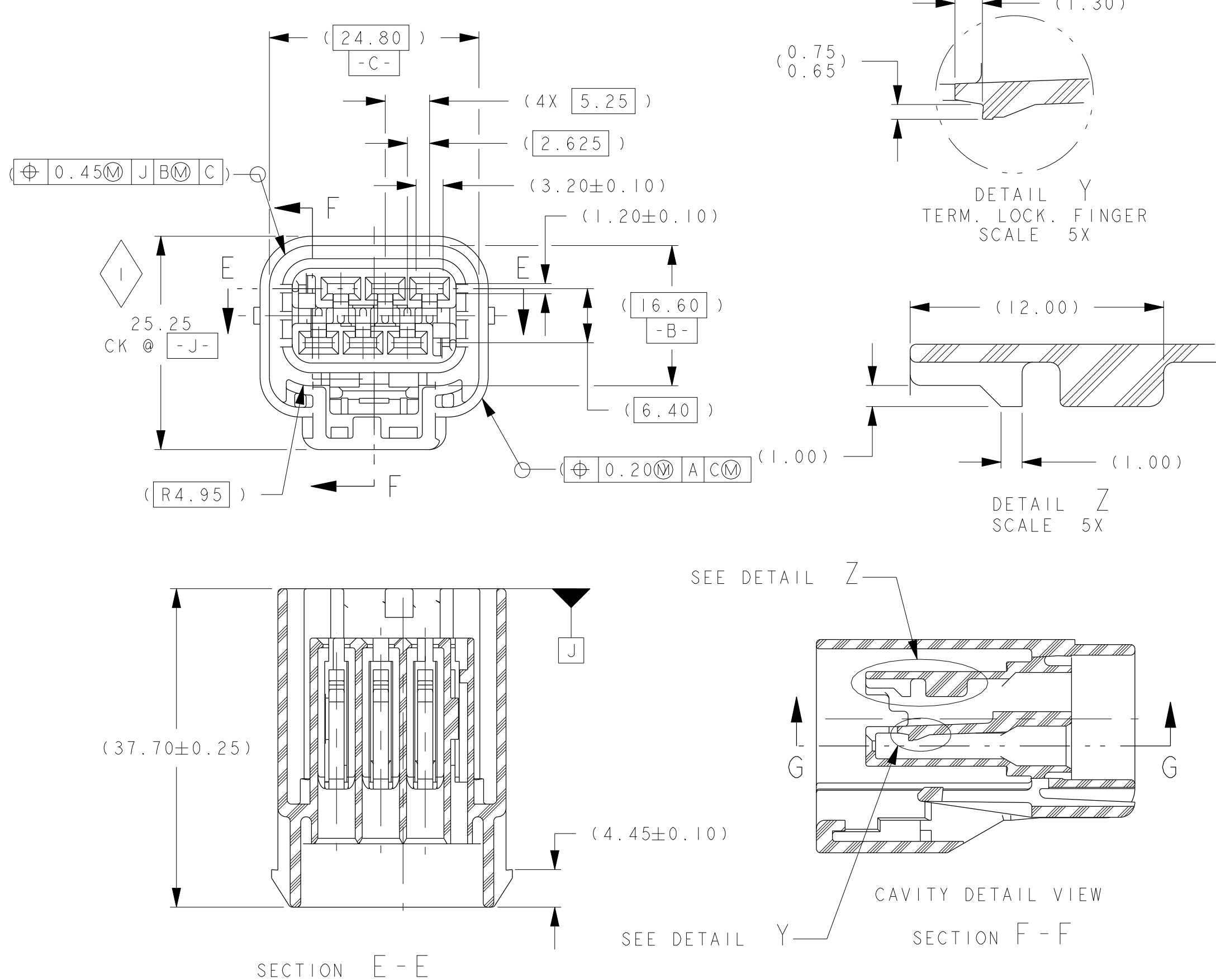
WITHOUT CPA
SEE P/N CHART
ALL DIMENSIONS SAME
AS WITH CPA



LAST 5 DIGITS OF 8 DIGIT P/N
& PART CHANGE LEVEL (PCL) OR
LAST 6 DIGITS OF 9 DIGIT P/N
OR 10 DIGIT P/N & PART CHANGE
LEVEL (PCL)
MFG. DAILY DATE CODE & ASSY
MACHINE NO. LETTERING MUST
BE LEGIBLE
OPTIONAL

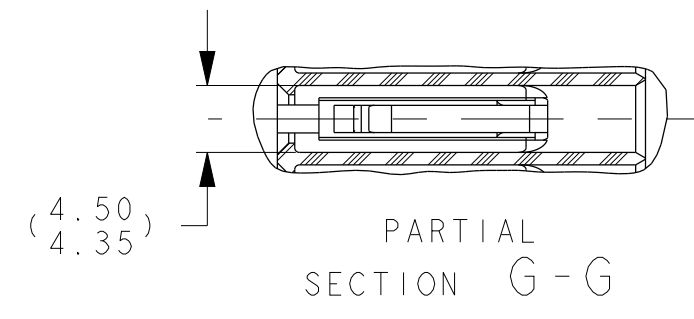


WEDGE - FEMALE
PRE-ASSEMBLED
POSITION
FCI 54200620
(C 04707305)
END-SEAL
FCI 54200659 OR
SEE CHART BELOW
(TERMINAL-FEMALE
FCI C15004-CUST)
(C 04707167)

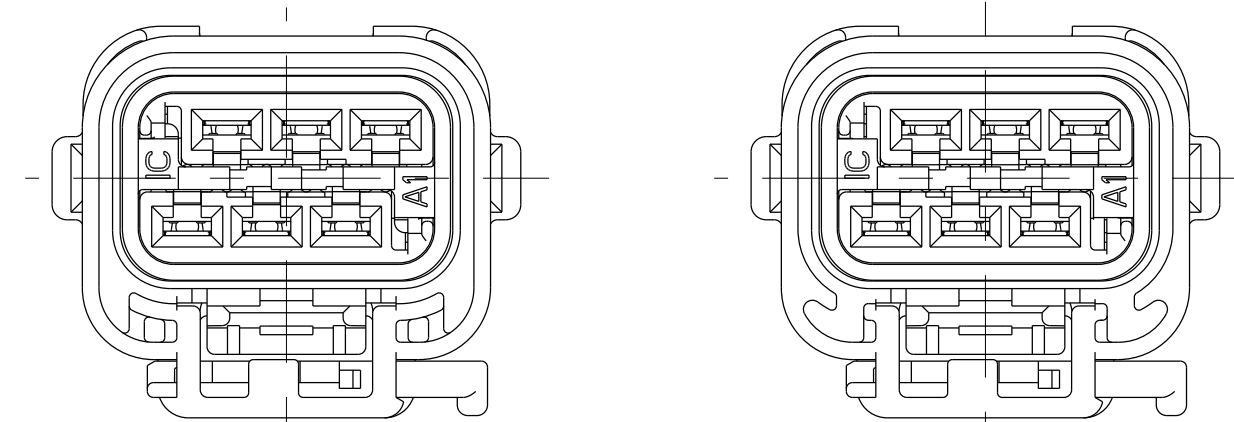


SECTION E-E

FOR REFERENCE ONLY
INSULATOR VIEWS

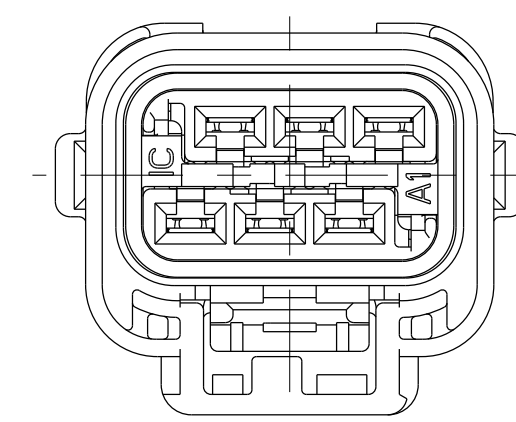


PARTIAL
SECTION G-G



TYPE A

TYPE B

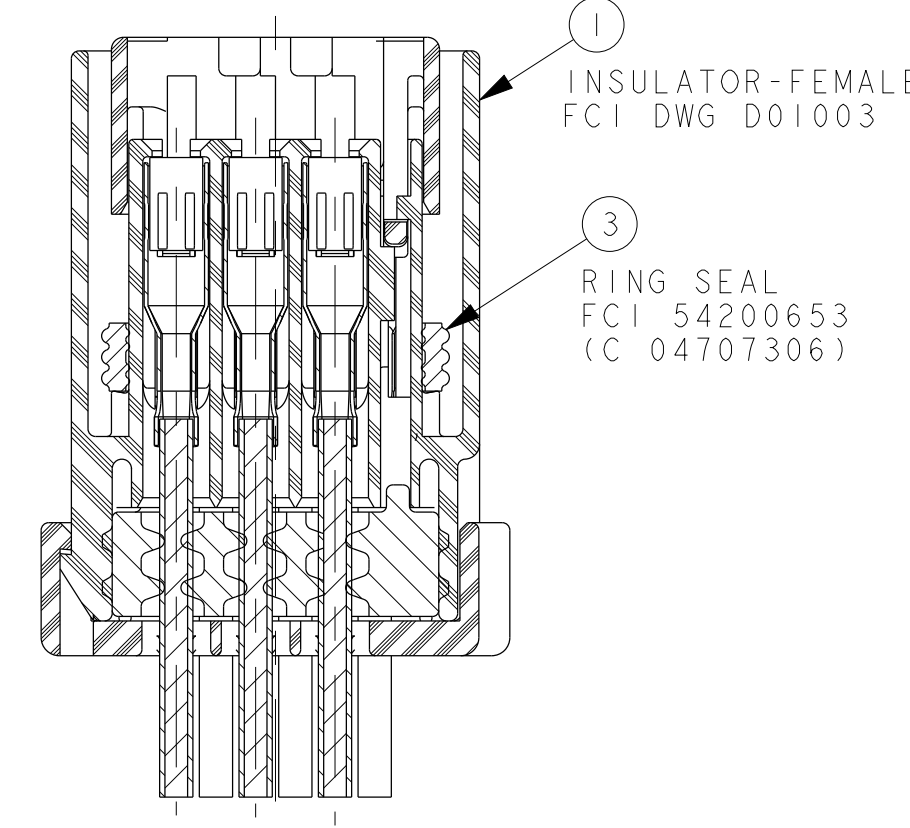


TYPE C

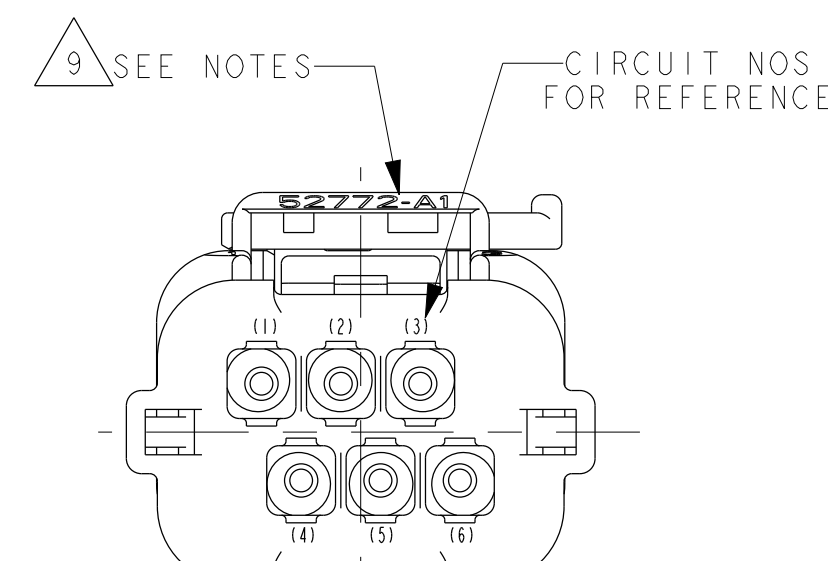
TYPE D

TYPE C
TYPE D
POLARIZATION OPTIONS
FULL SIZE

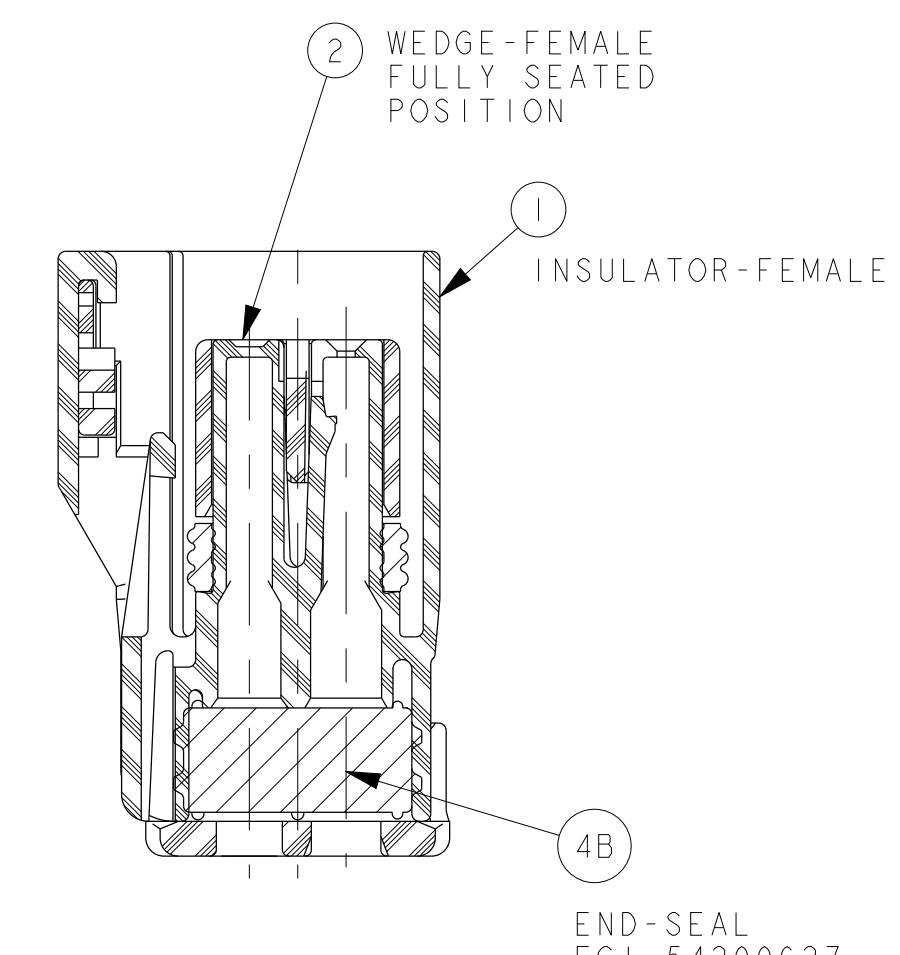
TYPE C
TYPE D
POLARIZATION OPTIONS
FULL SIZE



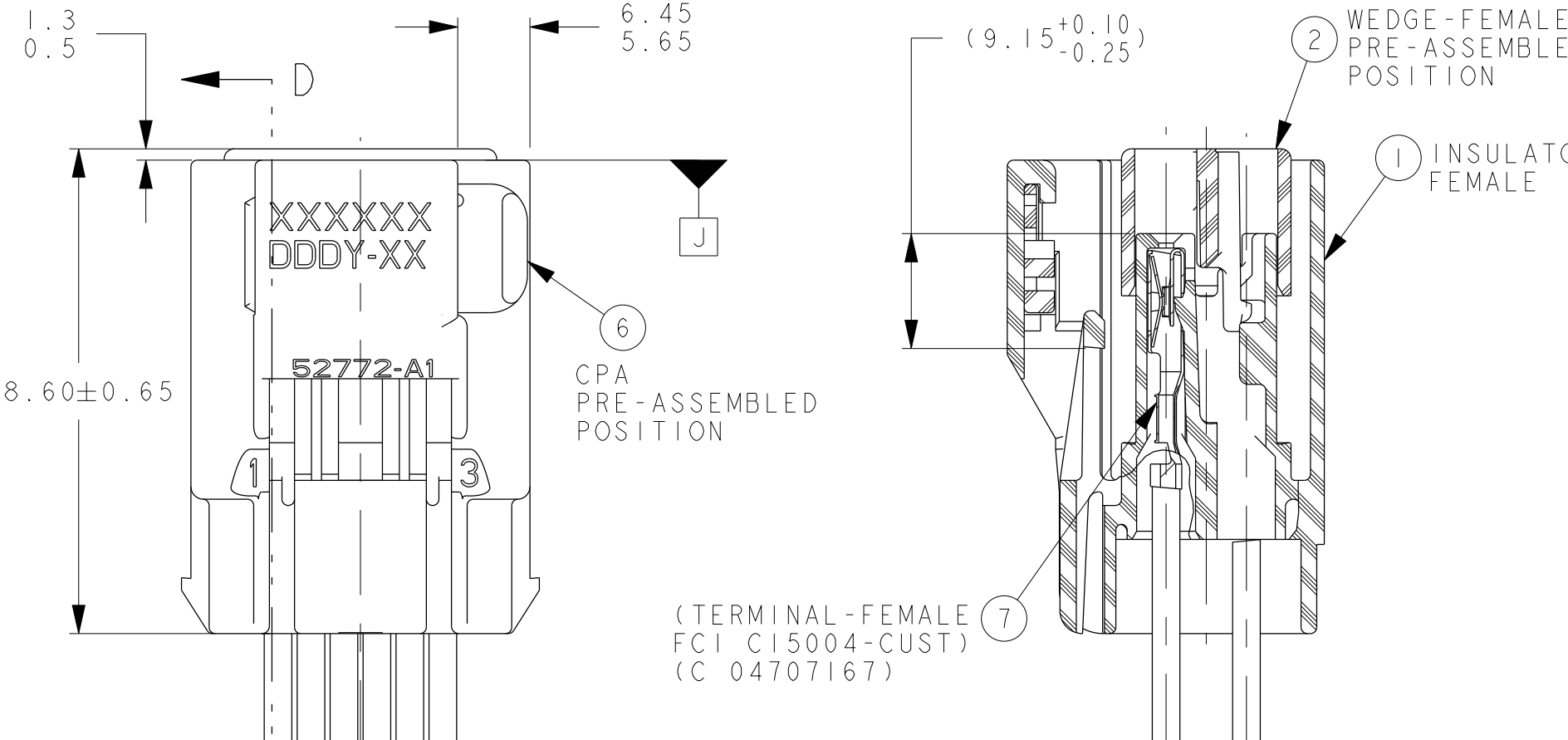
SECTION B-B



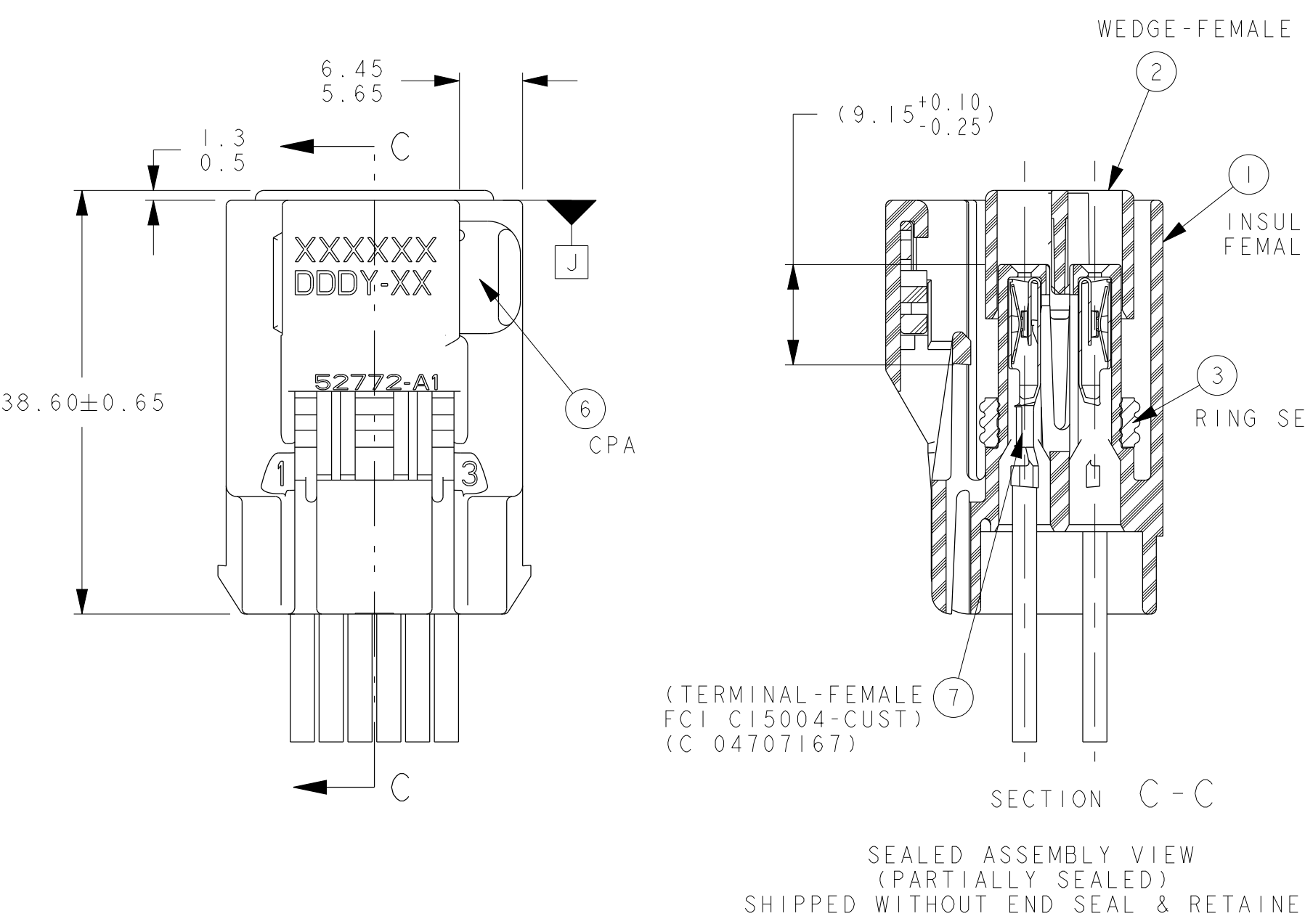
SEALED ASSEMBLY VIEWS
SEE PART NUMBER CHART



SECTION A-A
P/N C56042583AA
SEALED PLUG



UNSEALED ASSEMBLY VIEW
SEE PART NUMBER CHART



SEALED ASSEMBLY VIEW
(PARTIALLY SEALED)
SHIPPED WITHOUT END SEAL & RETAINER

- NOTES:
1. QUALITY ASSURANCE REQUIREMENTS PER CHRYSLER PS-7300: 1
 2. ENGINEERING APPROVAL OF SUPPLIER SAMPLES IS REQUIRED PRIOR TO AUTHORIZATION OF PART PRODUCTION
 3. CHANGES IN DESIGN COMPOSITION OR PROCESSING FROM THE PART PREVIOUSLY APPROVED FOR PART PRODUCTION REQUIRES PRIOR ENGINEERING APPROVAL
 4. WIRING FABRICATORS MUST PURCHASE FROM SOURCES SHOWN
 5. ALL THE SEALED APPLICATIONS WITH 54200654 AND 54200659 END SEALS MUST BE USED WITH CHRYSLER WIRE SPEC. MS-9298 OR MS-9502 THIN WALL X-LINK 20,18,16,14 & 12 GAGE WIRES ONLY AS SHOWN IN THE CHART (WIRE INSULATION RANGE Ø1.70 MIN TO Ø3.35 MAX) ISO THIN WALL EQUIVALENTS ALLOWED
 6. P/N WITH C45590 END SEAL MUST BE USED WITH WIRE INSULATION RANGE FROM Ø1.90MIN TO Ø3.70MAX (18AWG TO 12AWG OR 1mm² TO 4mm² ISO THIN WALL)
 7. ALL NON-SEALED APPLICATIONS MAY BE USED WITH ANY WIRE INSULATION 22-GAGE THRU 10-GAGE & ISO THIN WALL EQUIVALENTS PROVIDING THAT A TERMINAL GRIP FOR THAT CORE/INSULATION COMBINATION IS SHOWN ON THE MALE TERMINAL DRAWING
MAX. INSULATION CRIMP WIDTH = 4.50
MAX. INSULATION CRIMP HEIGHT = 4.50
MAX. INSULATION DIA. = 4.09 (10 GA THIN WALL)
 8. USE WITH CAVITY PLUG P/N 54200005, (C) 56038308 WHEN REQ'D USE WITH 2.80MM APEX FEMALE TERMINAL PER C15004-CUST SYM ABOUT CENTERLINE. 180° ORIENTATION PERMISSIBLE
 9. TEST METHOD PER CHRYSLER PERFORMANCE SPEC# SAE/USCAR-2 REV 5. CONNECTOR ENGAGE & DISENGAGE WITH LATCH DEPRESSURE FORCE NOT TO EXCEED 90 N FOR THIS SYSTEM
CPA SEATING FORCES - 40 N MAX
WEDGE SEATING FORCES - 125 N MAX
 10. SUPPLIER I.D. SIGNIFIES TOOL OWNERSHIP, FOR REFERENCE
 11. ANNUAL QUALITY REQUIREMENTS: IT IS PERMISSIBLE TO PERFORM CONTINUOUS CONFORMANCE PER FCI SPECIFICATION #AQA-001 INSTEAD OF ANNUAL LAYOUT & ANNUAL PV REQUIREMENTS OF QS-9000 SECTION 2 & SAE/USCAR-2 REV 5

MATING PART NUMBER CHART

INDEX TYPE	COLOR	SEALED/UNSEALED	FCI	CUSTOMER	FCI	CUSTOMER
		FEMALE ASSEMBLY PART NUMBERS		MATING ASSEMBLY PART NUMBER FOR REFERENCE ONLY		
D	NATURAL	UNSEALED	54200603N	N/A	54200607	N/A
		UNSEALED	54200603	C 04707316	54200607	C 04707335
		SEALED	54200611N	N/A	54200615	N/A
		SEALED	54200611	C 04707312	54200615	C 04707331
C	DK GREY	UNSEALED	54200602N	N/A	54200606	N/A
		UNSEALED	54200602	C 04707315	54200606	C 04707334
		SEALED	54200610N	N/A	54200614	N/A
		SEALED	54200610	C 04707311	54200614	C 04707330
E	LT GREY	UNSEALED	54200601N	C 04707314	54200605	C 04707333
		UNSEALED	54200646	C 04794232AA	54200605	C 04707333
		SEALED	F171010	N/A	JOHN DEERE LITTLE FUSE LOAD CENTER	
		SEALED	54200609N	N/A		N/A
D	BLACK	UNSEALED	54200600N	N/A	54200604	N/A
		UNSEALED	54200600	C 04707313	54200604	C 04707332
		SEALED	54200626N	N/A	54200612	N/A
		SEALED	54200626	C 56042583AA	54200612	C 04707328
A	BLACK	SEALED	54200608N	N/A	54200612	N/A
		SEALED	54200608	C 04707309	54200612	C 04707328
		SEALED	54200608	C 04707309	54200663	C 04608908AA
		SEALED	54200660N	N/A	54200661	N/A
		SEALED	54200660	C 04759914AA	54200661	C 04759912AA
		SEALED	△ F756900	N/A	DIRECT CONNECT INDEX A	

CHART-ASSEMBLY PART NUMBERS

FCI P/N'S CUSTOMER P/N'S	UNSEALED				SEALED				REQUIRED	REQUIRED	REQUIRED	REQUIRED	MATERIAL		
	W/O CPA		W/CPA		W/CPA		W/O CPA								
54200603N	54200602N	54200600N	54200601N	54200646	54200603	54200609	54200600	54200626	F171010	△ F756900	54200608	54200609	54200610N	54200611N	54200660N

FCI - FRAMATOME CONNECTORS INTERLOCK
YNA - YAZAKI NORTH AMERICA
C - CHRYSLER
JD - JOHN DEERE
GM - GENERAL MOTORS
LF - LITTLE FUSE

FCI	52772 OR 52772 H	SEE CHART
VENDOR	VENDOR CODE	P/N

CONNECTOR ASSEMBLY TEMPERATURE CLASS PER SAE/USCAR-2 REV 5
PART CHANGE LEVEL (PCL)

#	FCI P/N	CUSTOMER P/N	PART NAME	MATERIAL
1	54200630	C 04707301	INSULATOR-FEMALE INDEX A; BLK	PA66 GF
1	54200631	C 04707302	INSULATOR-FEMALE INDEX B; LT GRY	PA66 GF
1	54200632	C 04707303	INSULATOR-FEMALE INDEX C; DK GRY	PA66 GF
1	54200633	C 04707304	INSULATOR-FEMALE INDEX D; NATURAL	PA66 GF
2	54200620	C 04707305	WEDGE-FEMALE; ROYAL BLUE	PA66 GF
3	54200653	C 04707306	RING SEAL; RED	SILICONE
4A	54200654	C 04707441	END SEAL; BRIGHT RED (INSULATION RANGE Ø 1.70 - Ø 2.77)	SILICONE
4A	C455900	N/A	END SEAL; WHITE (INSULATION RANGE Ø 1.90 - Ø 3.70)	SILICONE
4A	54200659	N/A	END SEAL; HYBRID LT GREY (INS. RANGE Ø 1.70 - Ø 4.09)	SILICONE
4B	54200627	(FCI *D01001)	END SEAL; BRIGHT YELLOW (NO HOLES)	SILICONE
5	54200651	C 04707308	RETAINER; DK GREY	PA66 GF
6	54200003	C 04687739	CPA LATCH; RED	PA66 GF

** VENDOR PART NUMBER
** CIRCUIT NOS 2 & 5 WITH 12 OR 10 AWG ONLY & NOS 1, 3, 4 & 6 WITH 20 TO 14 AWG ONLY
*** END SEAL FCI P/N C455900 AND RETAINER P/N 54200651 PROVIDED LOOSE PIECE AND INSTALLED AT WIRE HARNESS ASSEMBLY
△ INDICATES THIS PART AVAILABLE THROUGH TTI

REVISIONS: 150120 IN CH
APES 2.8MM

DATE	BY	NAME	REASON

ISSUE DATE: 11/5/07
PROJECT: CHART - ASSEMBLY
PART NUMBER: 6WAY FEMALE (SEALED & UNSEALED)
TITLE: 280MM APEX CONNECTOR SYSTEM
SERIAL RELEASED

PROPERTY NOTICE: THIS DRAWING AND ALL OTHER INFORMATION CONTAINED THEREIN IS PROPRIETARY AND THE PROPERTY OF FCI. THIS DRAWING MAY NOT BE COPIED, REPRODUCED OR DISCLOSED TO ANY THIRD PARTY WITHOUT THE EXPRESSED WRITTEN PERMISSION OF FCI, FCI PART # 010193