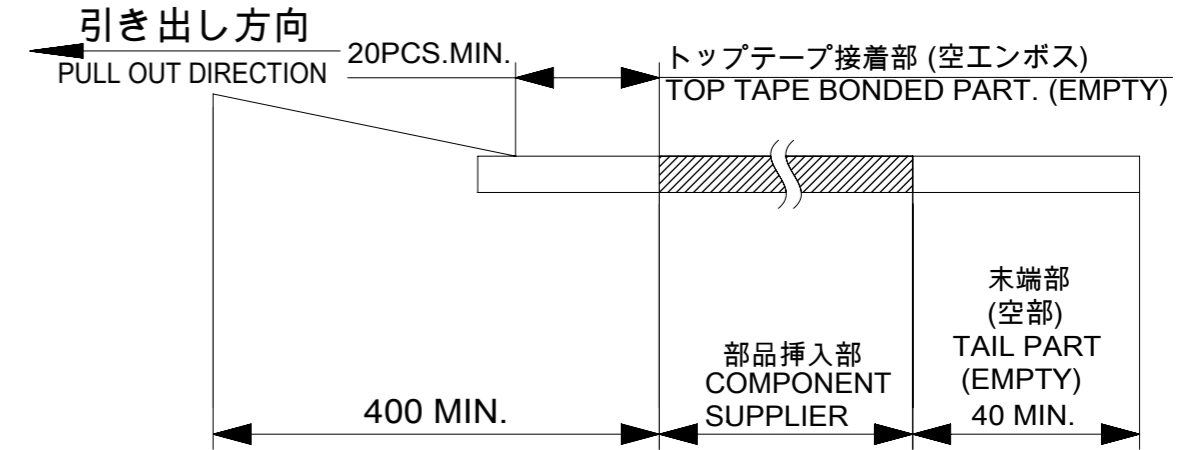
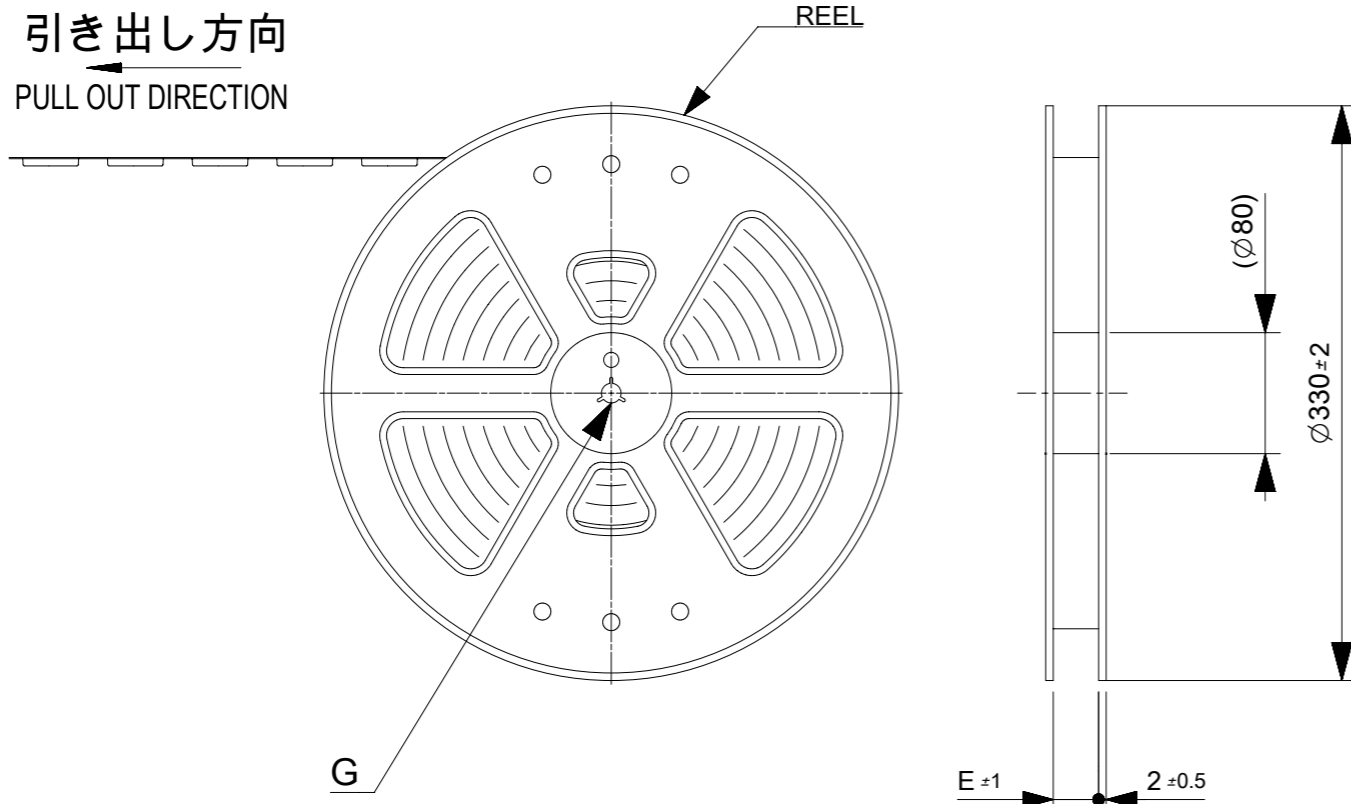
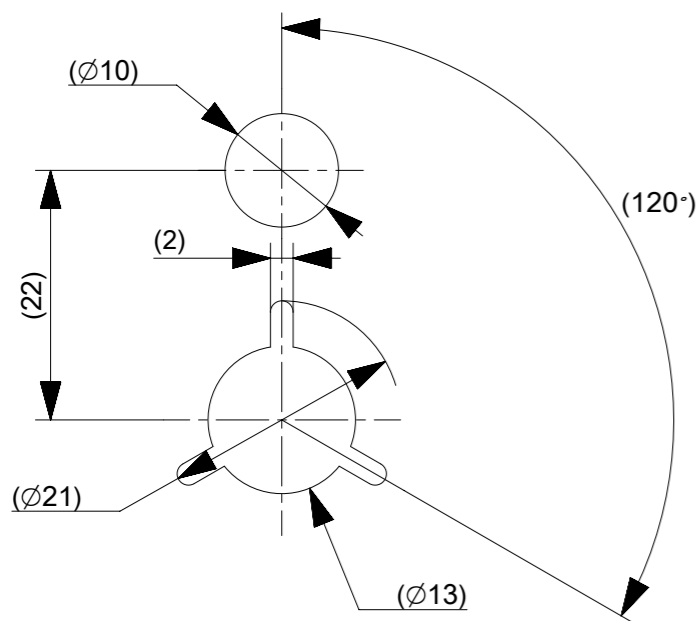


NOTES

- 54132**22 のアクチュエータはハウジング内に押し下げた状態とする。
詳細寸法については図面 54132100(Doc. Part No.: 000) をご参照下さい。
ACTUATOR OF PART NO. 54132**22 SHOULD BE LOCKED .
BE DETAILED DIMENSIONS, SEE 54132100(Doc. Part No.: 000)
- 梱包数量 : 1500個 / リール
NUMBER OF CONNECTORS : 1500 PCS/REEL.
- リードテープ長さ LEAD TAPE LENGTH.

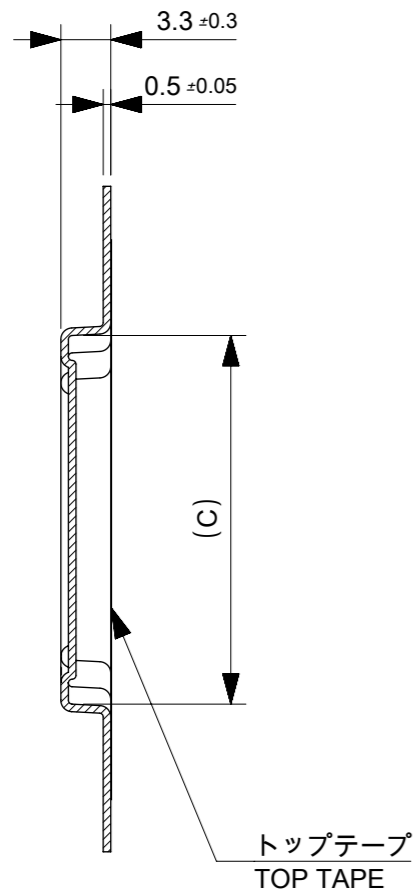


- カバートープの剥離強度については、IEC60286-3に準拠
COVER TAPE PEEL FORCE IS DEDFINED BY IEC 60286-3
- 材料 (MATERIAL)
キャリアテープ (CARRIER TAPE) : ポリスチレン(PS) (POLYSTYRENE)
トップテープ (TOP TAPE) : PS
リール (REEL) : ポリスチレン (POLYSTYLENE)
- ELV及びRoHS適合品
ELV AND RoHS COMPLIANT.

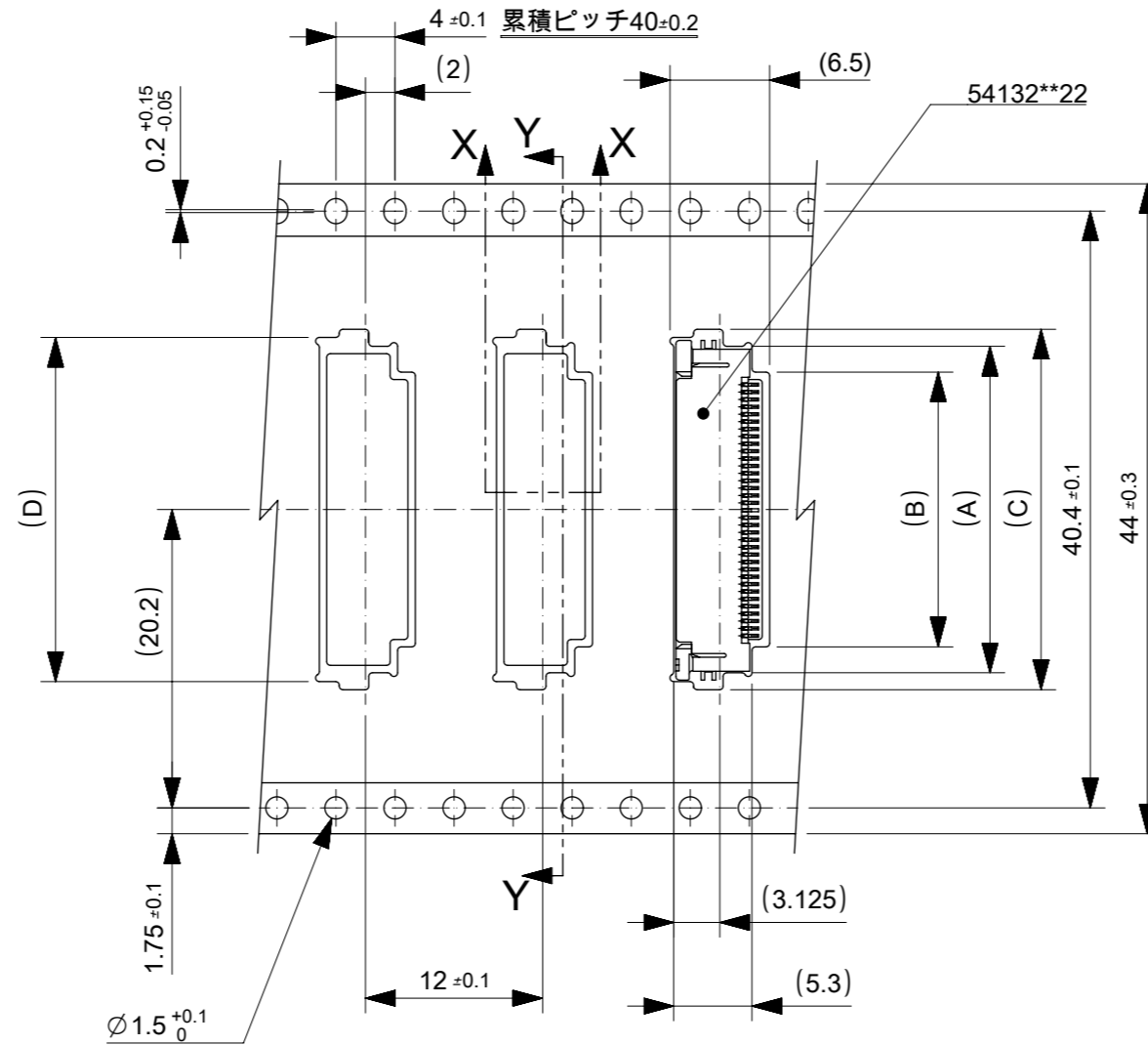


DETAIL G

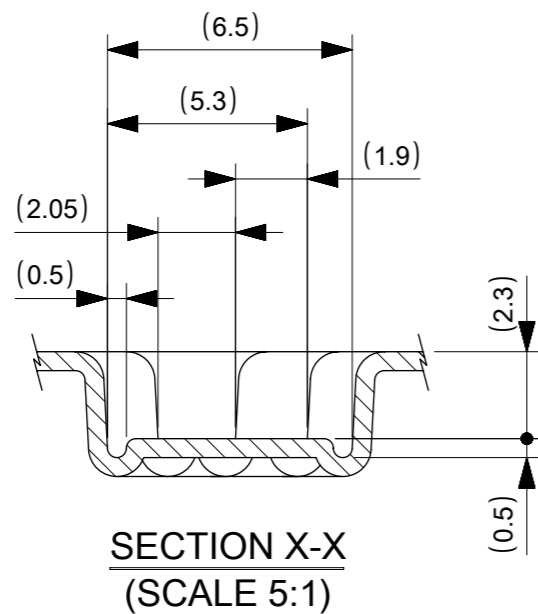
THIS DRAWING CONTAINS INFORMATION THAT IS PROPRIETARY TO MOLEX ELECTRONIC TECHNOLOGIES, LLC AND SHOULD NOT BE USED WITHOUT WRITTEN PERMISSION									
EC NO: 103444 DRWN: NVELUSAMY CHK'D: TKUSUHARA01 APPR: TKUSUHARA01	2016/02/18 2016/05/24 2016/05/24		GENERAL TOLERANCES (UNLESS SPECIFIED)		DIMENSION UNITS	SCALE	molex [®]		
	ANGULAR TOL ± °		4 PLACES ±		mm	1:1			
	3 PLACES ±		3 PLACES ±		DRWN BY	DATE	EMBOSSSED TAPE PACKAGED FOR 0.5MM FPC CONN ZIF R/A HOUSING ASSY		
	2 PLACES ±		2 PLACES ±		NVELUSAMY	2016/02/18			
	1 PLACE ±		1 PLACE ±		CHK'D BY	DATE	PRODUCT CUSTOMER DRAWING		
0 PLACES ±		0 PLACES ±		YKOBAYASHI02					
DRAFT WHERE APPLICABLE MUST REMAIN WITHIN DIMENSIONS		DRAWING SIZE		THIRD ANGLE PROJECTION		SERIES MATERIAL NUMBER CUSTOMER			
A		A3		A3		54132 SEE CHART		GENERAL	
REV		A		DRAWING SIZE		DOCUMENT NUMBER		DOC TYPE DOC PART SHEET NUMBER	
				A3		541320000		PSD 000 1 OF 2	



SECTION Y-Y



引き出し方向



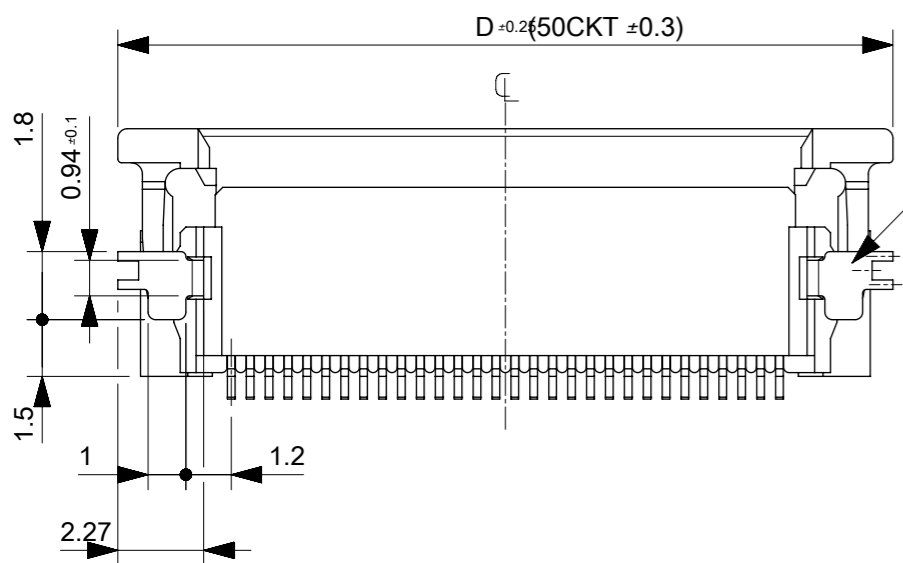
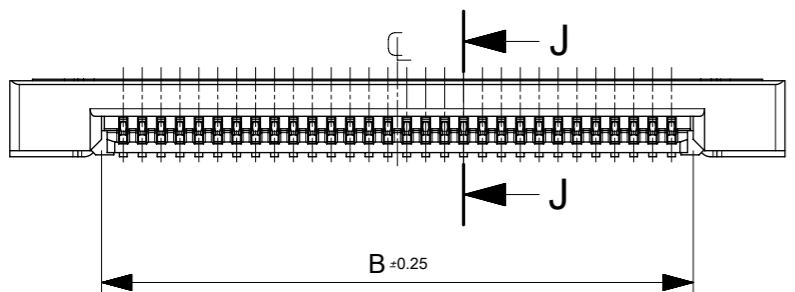
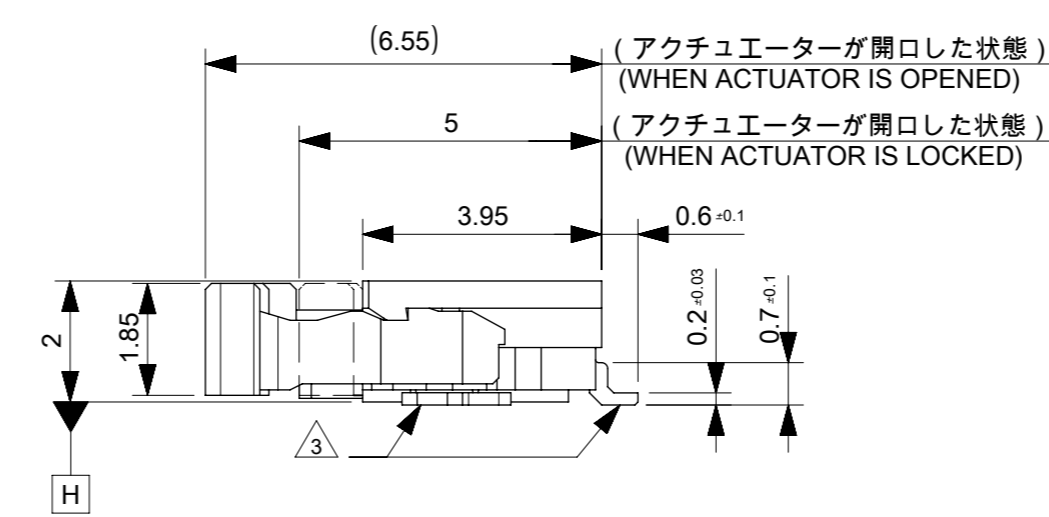
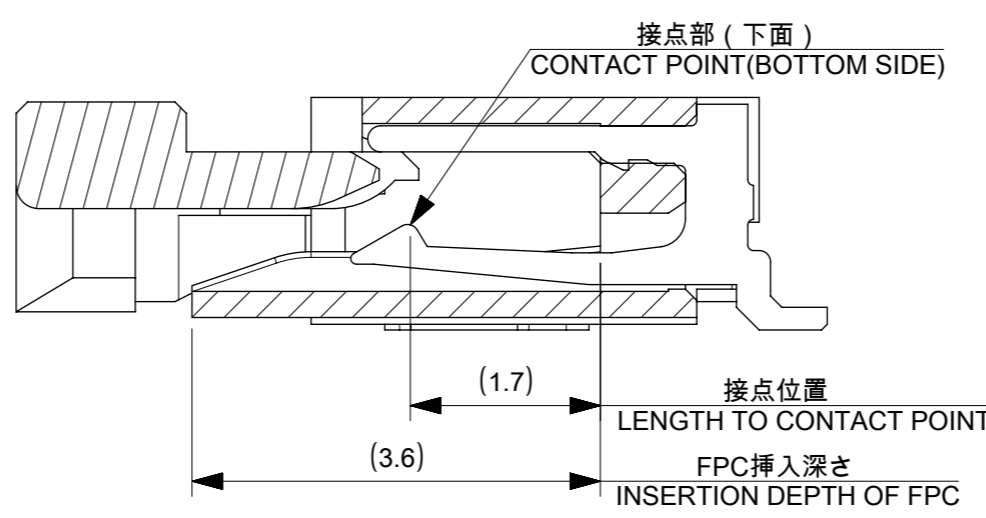
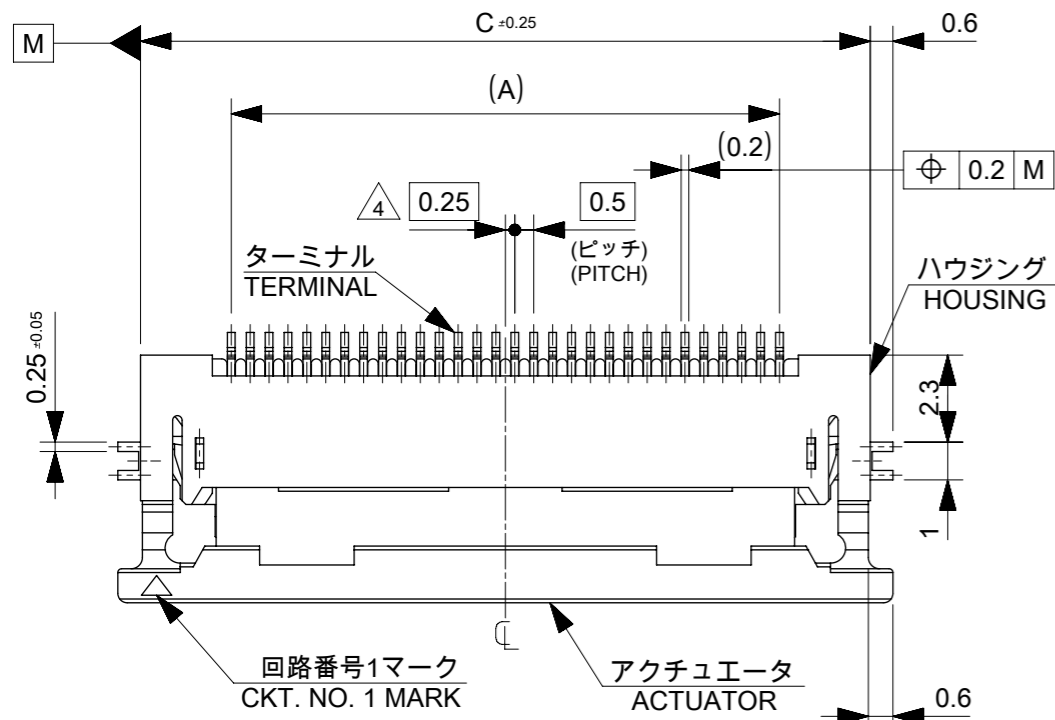
SECTION X-X
(SCALE 5:1)

44	45.5	30.8	31.9	26.1	29.6	541325033	50	
		28.3	29.4	23.6	27.1	541324533	45	
		27.3	28.4	22.6	26.1	541324333	43	
		25.8	26.9	21.1	24.6	541324033	40	
		24.8	25.9	20.1	23.6	541323833	38	
		23.8	24.9	19.1	22.6	541323633	36	
		23.3	24.4	18.6	22.1	541323533	35	
		22.8	23.9	18.1	21.6	541323433	34	
		22.3	23.4	17.6	21.1	541323333	33	
		21.8	22.9	17.1	20.6	541323233	32	
		20.8	21.9	16.1	19.6	541323033	30	
キャリアテープ幅 CARRIER TAPE WIDTH		E	D	C	B	A	MATERIAL NO.	CKT.

THIS DRAWING CONTAINS INFORMATION THAT IS PROPRIETARY TO MOLEX ELECTRONIC TECHNOLOGIES, LLC AND SHOULD NOT BE USED WITHOUT WRITTEN PERMISSION

EC NO: 103444 DRWN: NVELUSAMY CHK'D: TKUSUHARA01 APPR: TKUSUHARA01	2016/02/18	GENERAL TOLERANCES (UNLESS SPECIFIED)		DIMENSION UNITS	SCALE
	2016/05/24	ANGULAR TOL ± °		mm	1:1
	2016/05/24	4 PLACES ±		DRWN BY	DATE
		3 PLACES ±		NVELUSAMY	2016/02/18
		2 PLACES ±		CHK'D BY	DATE
		1 PLACE ±		YKOBAYASHI02	
	0 PLACES ±		APPR BY	DATE	
			TKUSUHARA01	2016/05/24	
DRAFT WHERE APPLICABLE MUST REMAIN WITHIN DIMENSIONS		DRAWING SIZE	THIRD ANGLE PROJECTION		
		A3			

molex [®]			
EMBOSSSED TAPE PACKAGED FOR 0.5MM FPC CONN ZIF R/A HOUSING ASSY			
PRODUCT CUSTOMER DRAWING			
SERIES	MATERIAL NUMBER	CUSTOMER	
54132	SEE CHART	GENERAL	
DOCUMENT NUMBER		DOC TYPE	DOC PART
541320000		PSD	000
SHEET NUMBER		2 OF 2	



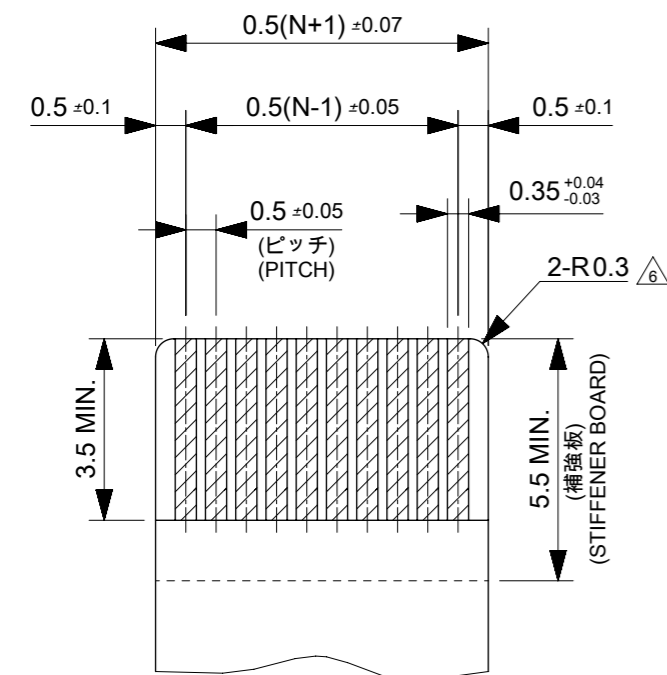
注記 NOTES

- 材質 MATERIAL
 ハウジング: ポリアミド(PA)、ガラス充填、ナチュラル (白)、UL94V-0
 HOUSING: POLYAMIDE, GLASS FILLED, NATURAL, UL94V-0
 アクチュエータ: ポニフェニレンサルファアロイド (PPS),
 ガラス充填、黒色、UL94V-0
 ACTUATOR: POLYPHENYLENE SULFIDE
 GLASS FILLED, BLACK, UL94V-0
 ターミナル: リン青銅 (t = 0.2)
 TERMINAL: PHOSPHOR BRONZE (t = 0.2)
 金具: リン青銅 (t = 0.2)
 NAIL: PHOSPHOR BRONZE (t = 0.2)
- めっき仕様 PLATING
 ターミナル TERMINAL
 錫銀ビスマスめっき (1.0µm以上)
 下地: ニッケルめっき (1.0µm以上)
 TIN SILVER BISMUTH PLATING (1.0 MICROMETER MINIMUM)
 UNDER PLATE: NICKEL PLATING (1.0 MICROMETER MINIMUM)
 金具
 錫めっき (1.0µm以上)
 下地: ニッケルめっき (1.0µm以上)
 TIN PLATING (1.0 MICROMETER MINIMUM)
 UNDER PLATE: NICKEL PLATING (1.0 MICROMETER MINIMUM)
- △3 ソルダータール半田付け面のズレ量、及び金具半田付け面のズレ量は基準面 H に対して上方向0.1MAXIMUM、下方向0.15MAXIMUMとする。
 MISALIGNMENT OF SOLDER TAILS AND FITTING NAILS FROM H
 UPPER DIRECTION: 0.1MAXIMUM
 LOWER DIRECTION: 0.15 MAXIMUM.
- △4 偶数極に適用
 APPLY FOR EVEN CIRCUIT.
- △5 パターンはくり止め用金具
 FITTING NAIL FOR PREVENTION OF PEELING OF P.C.B. PATTERN.
- △6 R0.3はFPCの導体にかからないこと
 R0.3 MUST NOT BE OVERLAPED TO PATTERN OF FPC.
- エンボステーブ梱包時は、アクチュエータがロックした状態とする
 IN THE PACKAGE, ACTUATOR SHOULD BE LOCKED.
- ELV及びRoHS適合品
 ELV AND RoHS COMPLIANT.

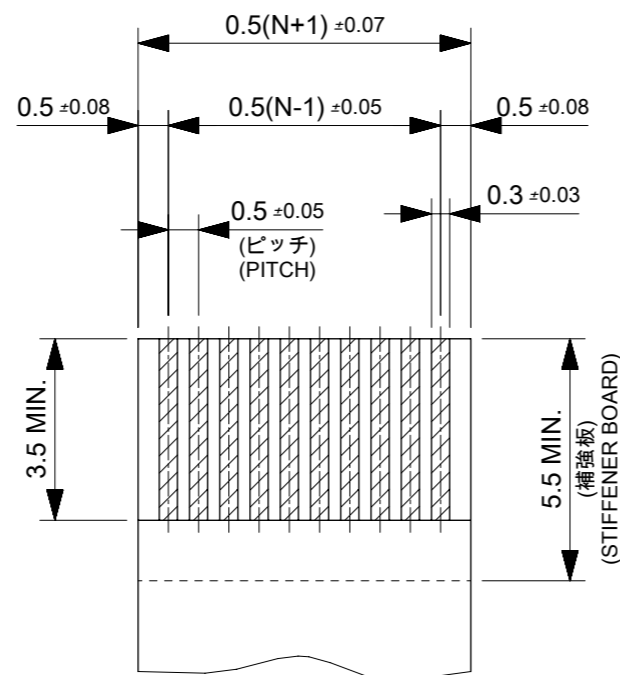
30.5	29.3	25.65	24.5	541325033	50
28.0	26.8	23.15	22.0	541324533	45
27.0	25.8	22.15	21.0	541324333	43
25.5	24.3	20.65	19.5	541324033	40
24.5	23.3	19.65	18.5	541323833	38
23.5	22.3	18.65	17.5	541323633	36
23.0	21.8	18.15	17.0	541323533	35
22.5	21.3	17.65	16.5	541323433	34
22.0	20.8	17.15	16.0	541323333	33
21.5	20.3	16.65	15.5	541323233	32
20.5	19.3	15.65	14.5	541323033	30
D	C	B	A	EMBOSSED PACKAGE	極数
オーダー番号 ORDER No.					CKT.

CONNECTOR SERIES NO. : 54132**22

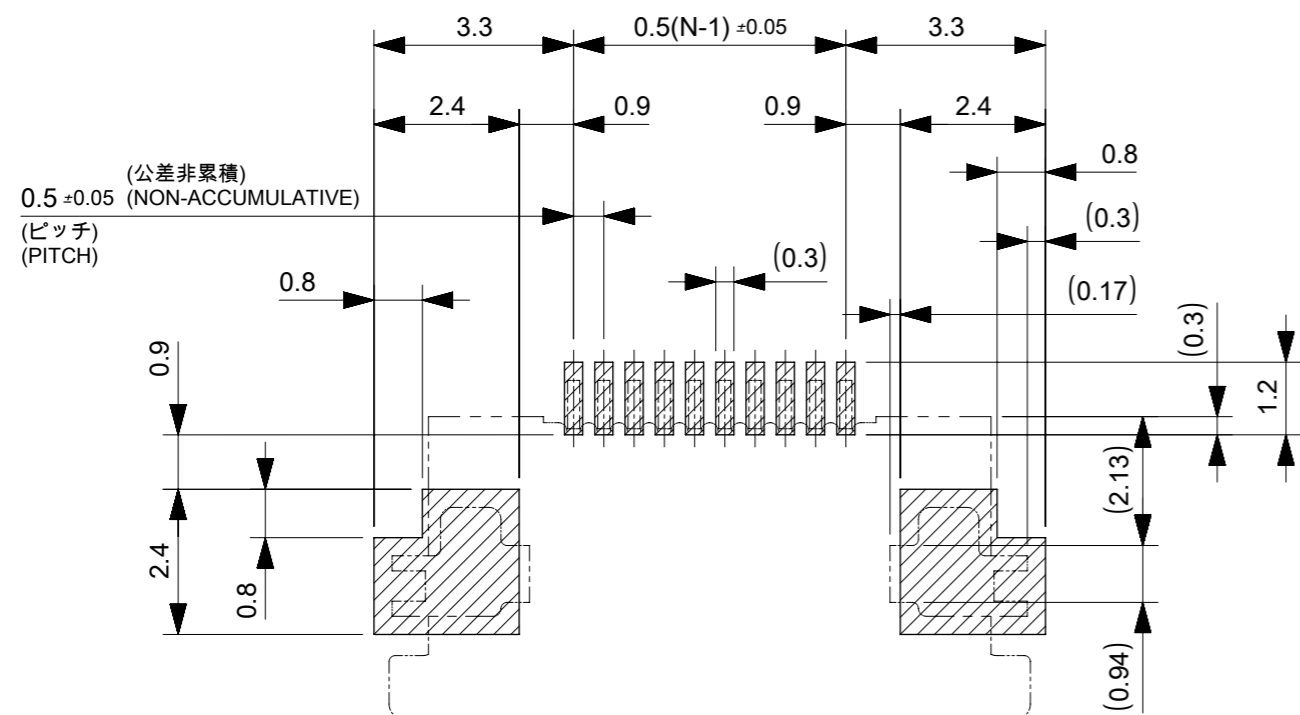
THIS DRAWING CONTAINS INFORMATION THAT IS PROPRIETARY TO MOLEX ELECTRONIC TECHNOLOGIES, LLC AND SHOULD NOT BE USED WITHOUT WRITTEN PERMISSION		CURRENT REV DESC: REVISED		molex	
DIMENSION UNITS	SCALE	EC NO: 600129			
mm	5:1	DRWN: YCHEN128 2018/04/10		0.5MM FPC CONN ZIF R/A	
GENERAL TOLERANCES (UNLESS SPECIFIED)		CHK'D: KTAKAHASHI 2018/04/12		HOUSING ASSY (LOWER CONTACT)	
ANGULAR TOL	± 3.0°	APPR: NUKITA 2018/04/13		PRODUCT CUSTOMER DRAWING	
4 PLACES	±	INITIAL REVISION:		DOCUMENT NUMBER	
3 PLACES	±	DRWN: ABABU01 2016/02/18		541321000	
2 PLACES	± 0.2	APPR: TKUSUHARA01 2016/05/24		DOC TYPE	
1 PLACE	± 0.2	THIRD ANGLE PROJECTION		PSD	
0 PLACES	± 0.2	DRAWING		000	
DRAFT WHERE APPLICABLE MUST REMAIN WITHIN DIMENSIONS		SERIES		REVISION	
		A3-SIZE		B	
		MATERIAL NUMBER		SHEET NUMBER	
		54132		1 OF 2	
		CUSTOMER			
		SEE TABLE		GENERAL	



適合 FPC 推奨寸法
 APPLICABLE FPC RECOMMENDED DIMENSION
 (仕上がり厚さ : 0.3±0.03)
 (THICKNESS : 0.3±0.03)

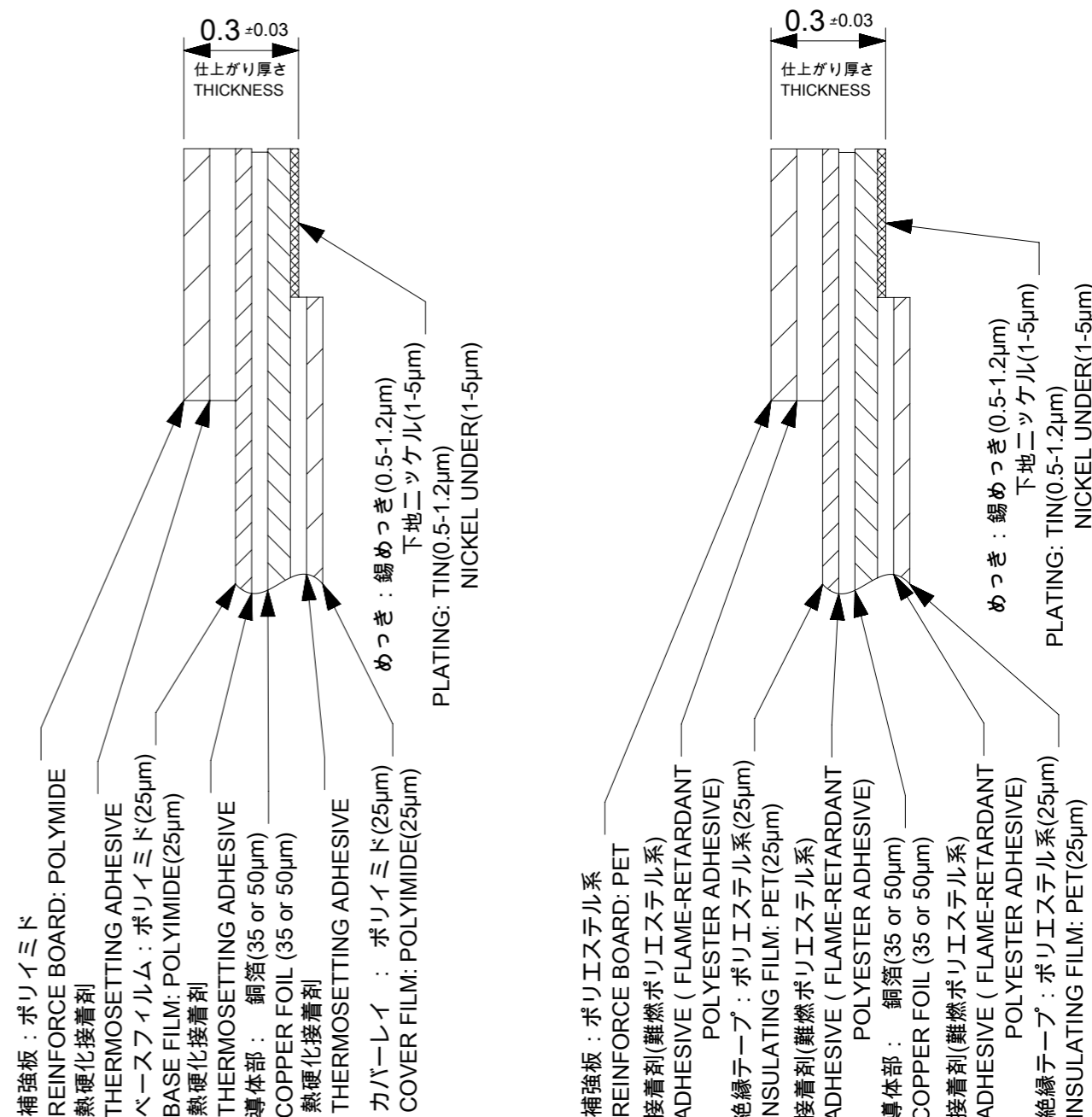


適合 FFC 推奨寸法
 APPLICABLE FFC RECOMMENDED DIMENSION
 (仕上がり厚さ : 0.3±0.03)
 (THICKNESS : 0.3±0.03)



推奨基板レイアウト
 RECOMMENDED PCB BOARD PATTERN DIMENSION (REF.)
 (マウント面)
 (MOUNTING SIDE)

マスク厚 : 100µm
 マスク開口率 : 100%
 SCREEN THICKNESS : 100 MICROMETER
 SCREEN OPEN RATIO : 100%



FPC構成推奨仕様
 RECOMMENDED STRUCTURE OF FPC

FFC構成推奨仕様
 RECOMMENDED STRUCTURE OF FFC

FPC/FFCについて:
 抜き方向は、導体側から補強板側を推奨致します。
 尚、接着剤の接点部への付着は導通不良の原因になりますので、
 染み出しが無い様お願い致します。

ABOUT FPC/FFC:
 RECOMMENDED PUNCHER DIRECTION:
 FROM CONDUCTOR SIDE TO STIFFNER SIDE
 PLEASE PUT APPROPRIATE AMOUNT OF ADHESIVE ON ADHEREND
 BECAUSE THERE IS A POSSIBILITY THAT THE EXTRA ADHESIVE
 CAUSES THE DEFECT IN ELECTRICAL CONTINUITY.

THIS DRAWING CONTAINS INFORMATION THAT IS PROPRIETARY TO MOLEX ELECTRONIC TECHNOLOGIES, LLC AND SHOULD NOT BE USED WITHOUT WRITTEN PERMISSION									
DIMENSION UNITS		SCALE		CURRENT REV DESC: REVISED					
mm		4:1							
GENERAL TOLERANCES (UNLESS SPECIFIED)									
ANGULAR TOL		± 3.0°							
4 PLACES		±		EC NO: 600129		2018/04/10			
3 PLACES		±		DRWN: YCHEN128		2018/04/12			
2 PLACES		± 0.2		CHK'D: KTAKAHASHI		2018/04/13			
1 PLACE		± 0.2		APPR: NUKITA					
0 PLACES		± 0.2		INITIAL REVISION:					
				DRWN: ABABU01		2016/02/18			
				APPR: TKUSUHARA01		2016/05/24			
DRAFT WHERE APPLICABLE MUST REMAIN WITHIN DIMENSIONS		THIRD ANGLE PROJECTION		DRAWING		SERIES		MATERIAL NUMBER	
				A3-SIZE		54132		SEE TABLE	
								CUSTOMER	
								GENERAL	
								SHEET NUMBER	
								2 OF 2	