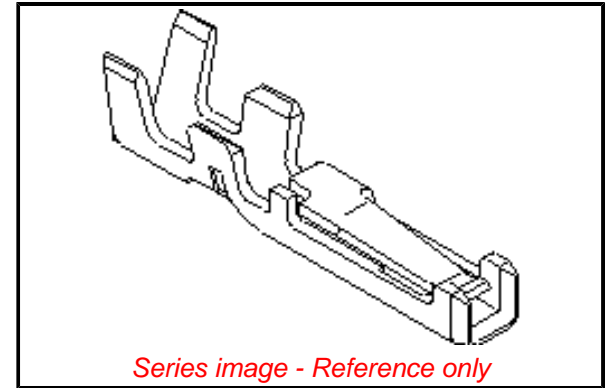


PLEASE CHECK WWW.MOLEX.COM FOR LATEST PART INFORMATION

Part Number: [0506418041](#)
Status: **Active**
Overview: [PanelMate™ Wire-to-Board Connector System](#)
Description: [PanelMate Crimp Receptacle Terminal, 28-30 AWG, Reel Gold \(Au\)](#)

Documents:

3D Model	Product Specification PS-51146-011-001 (PDF)
Drawing (PDF)	Product Specification PS-51146-013-001 (PDF)
Product Specification PS-51146-007-001 (PDF)	Packaging Specification SPK-50641-001-001 (PDF)
Product Specification PS-51146-009-001 (PDF)	RoHS Certificate of Compliance (PDF)
Product Specification PS-51146-010-001 (PDF)	



General

Product Family	Crimp Terminals
Series	50641
Application	Signal
Crimp Quality Equipment	Yes
Overview	PanelMate™ Wire-to-Board Connector System
Packaging Alternative	50641-8141 (Loose)
Product Name	PanelMate
UPC	800753746749

Physical

Gender	Female
Material - Metal	Phosphor Bronze
Material - Plating Mating	Gold
Material - Plating Termination	Tin
Net Weight	20.020/mg
Packaging Type	Reel
Plating min - Mating	0.203µm
Plating min - Termination	0.203µm
Termination Interface: Style	Crimp or Compression
Wire Insulation Diameter	0.50-0.90mm
Wire Size AWG	28, 30
Wire Size mm²	N/A

Material Info

Reference - Drawing Numbers

Crimp Specification	CS-50641-001
Packaging Specification	SPK-50641-001-001
Product Specification	PS-51146-007-001, PS-51146-009-001, PS-51146-010-001, PS-51146-011-001, PS-51146-013-001
Sales Drawing	SD-50641-001

EU ELV

Compliant

EU RoHS

Compliant

REACH SVHC

Not Contained Per -
ED/30/2017 (7 July
2017)

Halogen-Free

Status

Low-Halogen

Need more information on product environmental compliance?

Email productcompliance@molex.com
Please visit the [Contact Us](#) section for any non-product compliance questions.

China ROHS

ELV

RoHS Phthalates

Green Image

Compliant

Not Contained

Search Parts in this Series

[50641 Series](#)