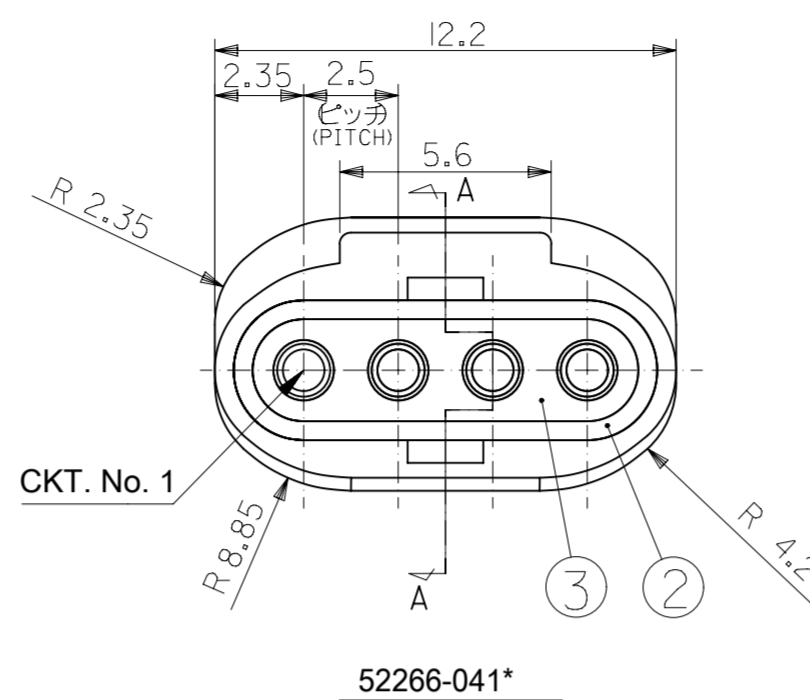
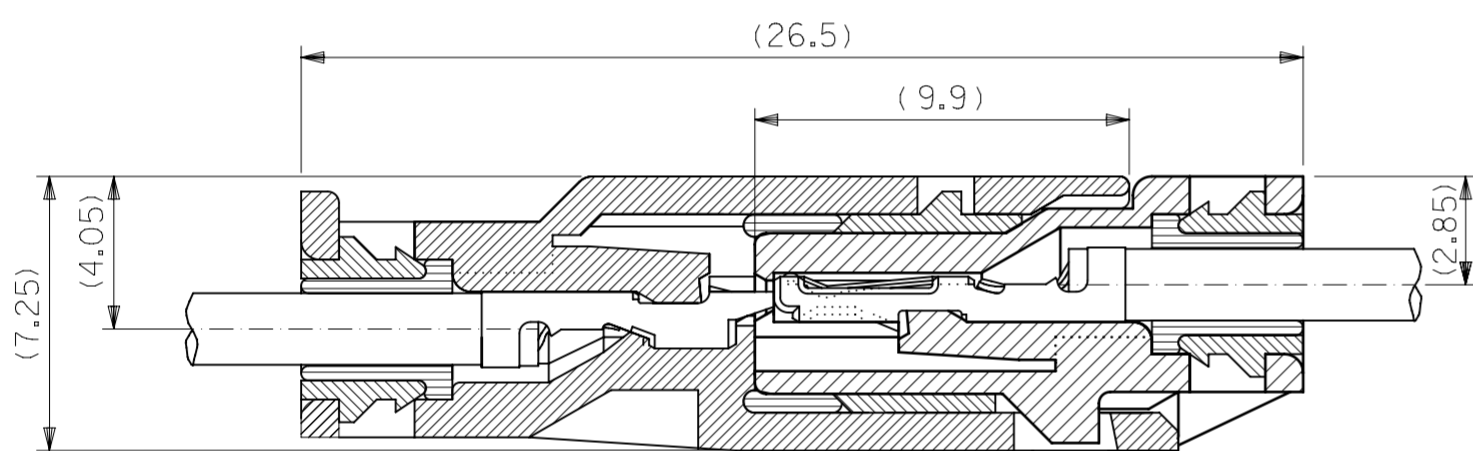
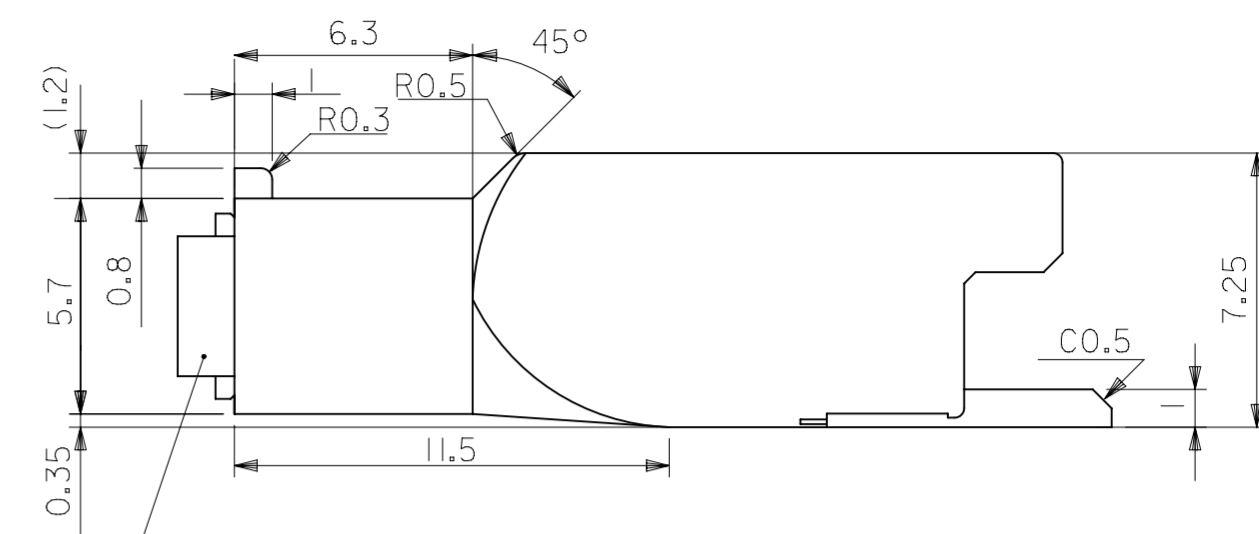


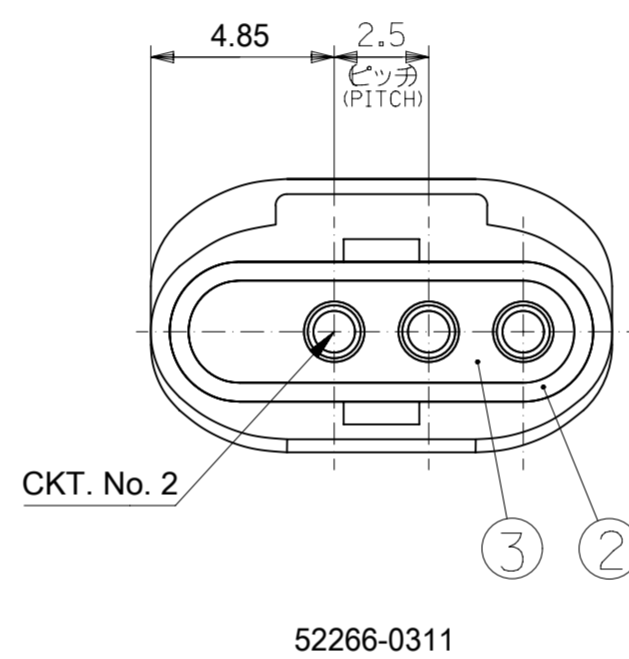
断面A-A (端子装着状態図)
SECT. A-A (TERM. ASSEMBLY DRAWING)



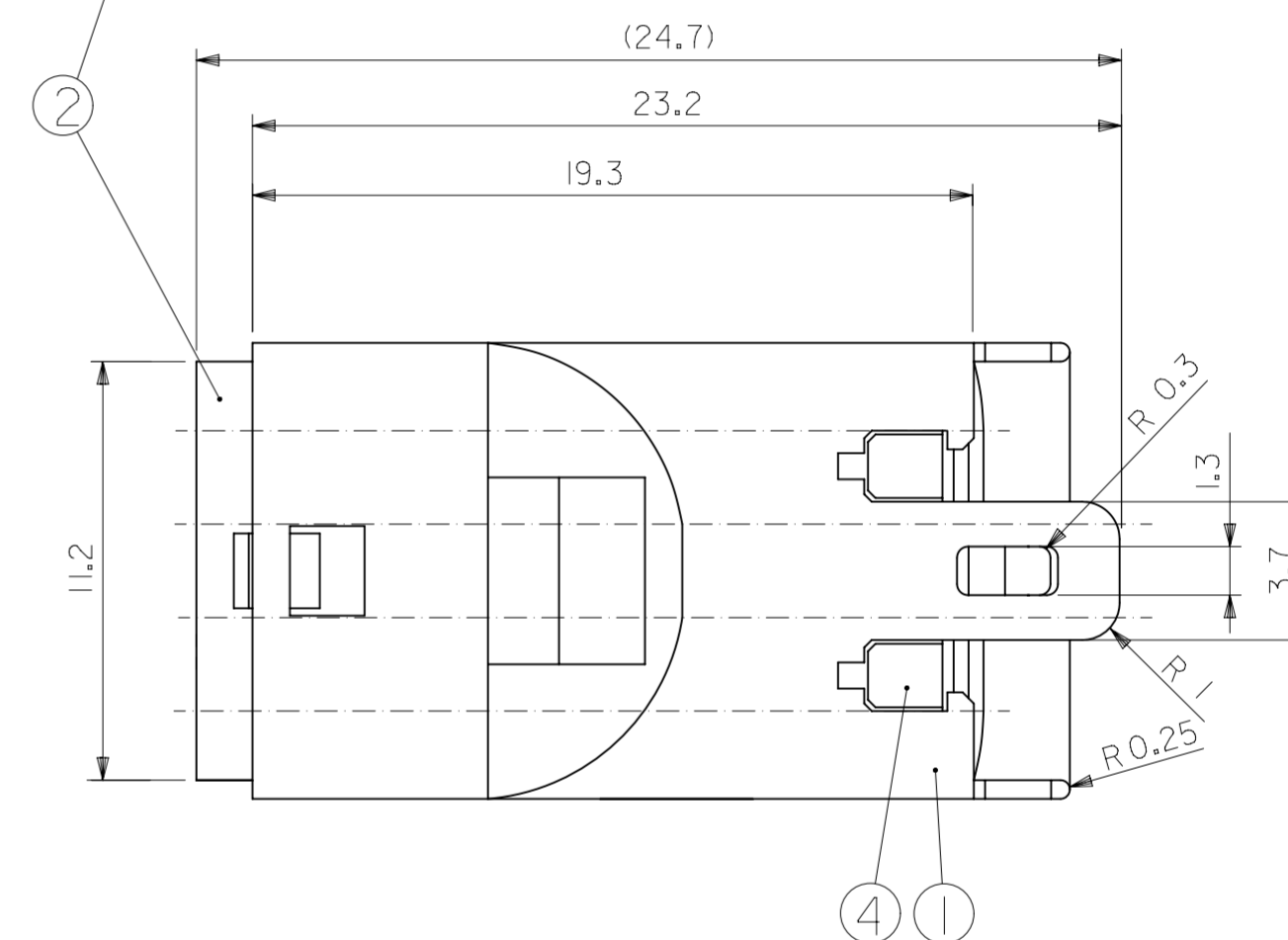
52266-041*



嵌合状態図
FULLY MATED CONDITION



52266-0311



注記
NOTE

- 適合端子 : 50147-8*00
APPLICABLE TERMINAL : 50147-8*00
- 嵌合相手 : 52213-***1*
MATES WITH : 52213-***1*
- 製品仕様書 : PS-52213-003
PRODUCT SPECIFICATION : PS-52213-003
- 取扱説明書 : AS-52213-001
APPLICATION SPECIFICATION : AS-52213-001

| | | |
|----------------------|----------------------|-------------------|
| 黒 BLACK | 52266-0311 | 3 |
| 茶 BROWN | 52266-0417 | 4 |
| 黒 BLACK | 52266-0411 | 4 |
| ハウジングの色 HSG COLOR | 製品番号 MATERIAL NO. | 極数 No. OF CKT. |

| 材料 MATERIAL | 色 COLOR | 名称 TITLE | ① |
|--|------------------|---------------|---|
| シリコンゴム SILICONE <td>青 BLUE</td> <td>SEAL</td> <td>⑤</td> | 青 BLUE | SEAL | ⑤ |
| ポリエステル (15%G.F.) POLYESTER (15%G.F.) | 灰 GRAY | SEAL STOPPER | ④ |
| シリコンゴム SILICONE <td>青 BLUE</td> <td>WIRE END SEAL</td> <td>③</td> | 青 BLUE | WIRE END SEAL | ③ |
| ポリエステル (15%G.F.) POLYESTER (15%G.F.) | 灰 GRAY | CAP | ② |
| ポリエステル (15%G.F.) POLYESTER (15%G.F.) | 表参照 SEE CHART | PLUG HOUSING | ① |

構成部品
COMPONENTS

| | | | | |
|-----------------|----|--------------|------------|----------|
| DOCUMENT STATUS | P1 | RELEASE DATE | 2018/12/06 | 01:38:38 |
|-----------------|----|--------------|------------|----------|

THIS DRAWING CONTAINS INFORMATION THAT IS PROPRIETARY TO MOLEX ELECTRONIC TECHNOLOGIES, LLC AND SHOULD NOT BE USED WITHOUT WRITTEN PERMISSION

| | | | | |
|---------------------------------------|------------------------|--|-----------------------|-----------------|
| DIMENSION UNITS | | SCALE | CURRENT REV DESC: | |
| mm | | 5:1 | | |
| GENERAL TOLERANCES (UNLESS SPECIFIED) | | GENERAL TOLERANCES (UNLESS SPECIFIED) | | |
| 10 UNDER | ±0.2 | ANGULAR TOL | ± 3.0° | |
| 4 PLACES | ±0.25 | 4 PLACES | ± 0.2 | |
| 10 OVER 30 UNDER | ±0.25 | 3 PLACES | ± 0.25 | |
| 30 OVER | ±0.3 | 2 PLACES | ± 0.3 | |
| ANGULAR ±3° | | 1 PLACE | ± | |
| | | 0 PLACES | ± | |
| INITIAL REVISION: | | INITIAL REVISION: | | |
| DRWN | M.SANO 1991/07/17 | DRWN | SINAKA 2011/11/28 | |
| CHECK | M.SAKANO 1993/11/09 | APPR | MAYAMAMOTO 2014/12/02 | |
| APPR | MA.YAMAMOTO 2016/08/16 | DRAFT WHERE APPLICABLE MUST REMAIN WITHIN DIMENSIONS | | |
| THIRD ANGLE PROJECTION | | DRAWING | SERIES | MATERIAL NUMBER |
| A2-SIZE | | 52266 | SEE CHART | CUSTOMER |
| SHEET NUMBER | | 1 OF 1 | | |

molex

2.5 MINI WATERPROOF
CONN PLUG HSG ASSY (3 AND 4 CKT.)

PRODUCT CUSTOMER DRAWING

DOCUMENT NUMBER: SD-52266-002 | DOC TYPE: PSD | DOC PART: 001 | REVISION: B4

MATERIAL NUMBER: SEE CHART | CUSTOMER: GENERAL MARKET