



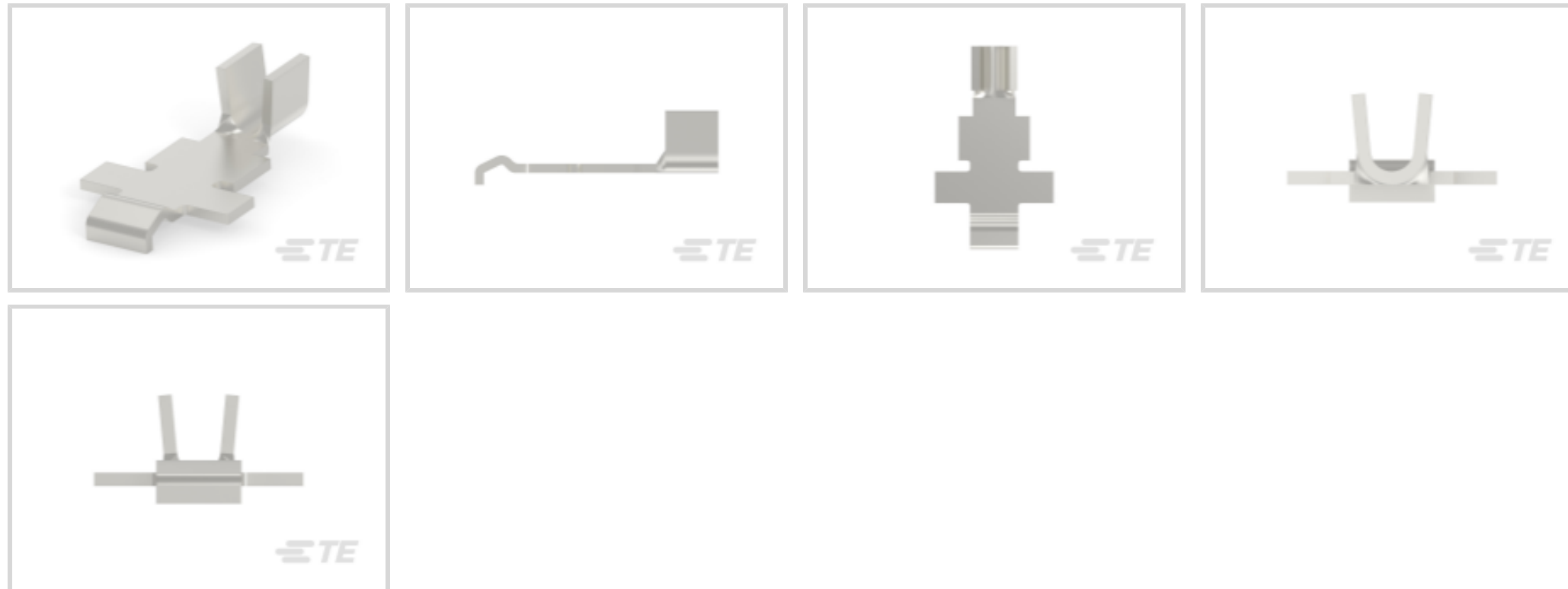
AMP

TE Internal #: 53880-2

Power Contacts, Contact, 600 VAC, Silver, 10 – 6 AWG Wire Size,
4.6 – 13 mm² Wire Size, 9072 – 26244 CMA Wire Size, Wire-to-Wire,
1 Position

[View on TE.com >](#)

Connectors > Power Connectors > Power Contacts



Power Contact Type: **Contact**

Operating Voltage: **600 VAC**

Contact Mating Area Plating Material: **Silver**

Wire Size: **4.6 – 13 mm²**

Features

Product Type Features

Power Contact Type	Contact
Connector System	Wire-to-Wire
Sealable	No
Connector & Contact Terminates To	Wire & Cable

Configuration Features

Number of Positions	1
---------------------	---

Electrical Characteristics

Operating Voltage	600 VAC
-------------------	---------

Contact Features

Contact Mating Area Plating Material	Silver
Contact Current Rating (Max)	53 A
Contact Type	Receptacle
Contact Retention Within Housing	With
Mating Tab Width	7.62 mm[.3 in]



Mating Tab Thickness	1.2 mm[.047 in]
----------------------	-----------------

Contact Base Material	Copper
-----------------------	--------

Contact Mating Area Plating Material Thickness	5.08 μm[200 μin]
--	------------------

Contact Mating Area Plating Material Finish	Semi-Bright
---	-------------

Wire Contact Termination Area Plating Thickness	5.08 μm[200 μin]
---	------------------

Wire Contact Termination Area Plating Material	Silver
--	--------

Wire Contact Termination Area Plating Material Finish	Semi-Bright
---	-------------

Contact Orientation	Straight
---------------------	----------

Barrel Type	Open Barrel
-------------	-------------

Termination Features

Termination Method to Wire & Cable	Crimp
------------------------------------	-------

Mechanical Attachment

Connector Mounting Type	Panel Mount
-------------------------	-------------

Wire Insulation Support	Without
-------------------------	---------

Dimensions

Wire Size	9072 – 26244 CMA
-----------	------------------

Usage Conditions

Operating Temperature Range	-55 – 85 °C[-67 – 185 °F]
-----------------------------	---------------------------

Operation/Application

Circuit Application	Power
---------------------	-------

Industry Standards

VDE Tested	No
------------	----

Agency/Standard	CSA, UL
-----------------	---------

CSA File Number	LR7189
-----------------	--------

UL Rating	Recognized
-----------	------------

CSA Certified	Yes
---------------	-----

UL File Number	E28476
----------------	--------

Packaging Features

Packaging Method	Strip
------------------	-------

Other

Wire/Cable Type	Discrete Wire
-----------------	---------------

Wire Type	Solid, Stranded
-----------	-----------------



Product Compliance

[For compliance documentation, visit the product page on TE.com>](#)

EU RoHS Directive 2011/65/EU	Compliant
EU ELV Directive 2000/53/EC	Compliant
China RoHS 2 Directive MIIT Order No 32, 2016	No Restricted Materials Above Threshold
EU REACH Regulation (EC) No. 1907/2006	Current ECHA Candidate List: JUNE 2022 (224) Candidate List Declared Against: JAN 2022 (223) SVHC > Threshold: Not Yet Reviewed
Halogen Content	Low Halogen - Br, Cl, F, I < 900 ppm per homogenous material. Also BFR/CFR/PVC Free
Solder Process Capability	Not applicable for solder process capability

Product Compliance Disclaimer

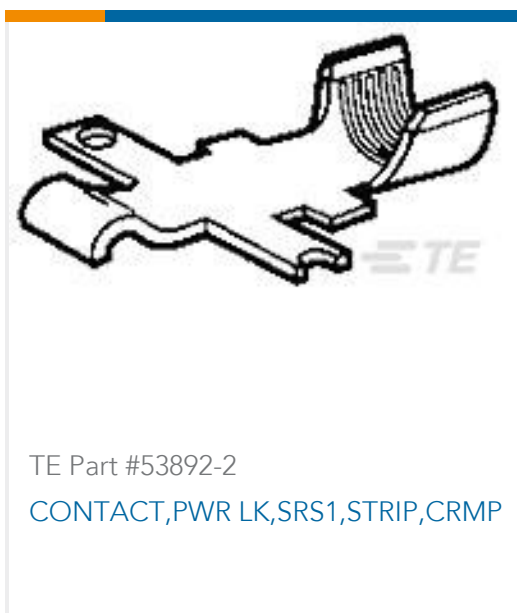
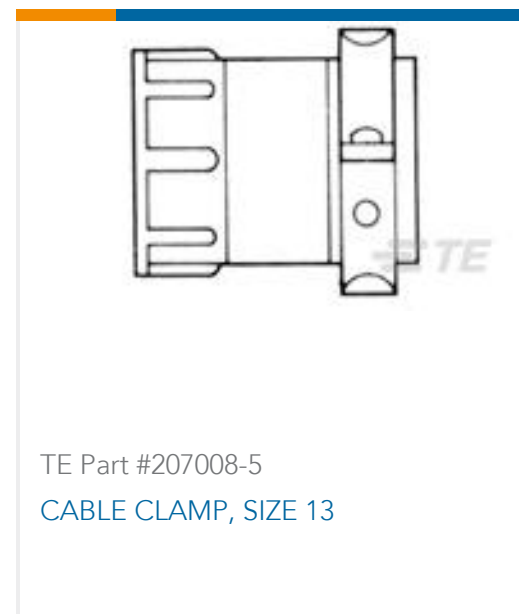
This information is provided based on reasonable inquiry of our suppliers and represents our current actual knowledge based on the information they provided. This information is subject to change. The part numbers that TE has identified as EU RoHS compliant have a maximum concentration of 0.1% by weight in homogenous materials for lead, hexavalent chromium, mercury, PBB, PBDE, DBP, BBP, DEHP, DIBP, and 0.01% for cadmium, or qualify for an exemption to these limits as defined in the Annexes of Directive 2011/65/EU (RoHS2). Finished electrical and electronic equipment products will be CE marked as required by Directive 2011/65/EU. Components may not be CE marked. Additionally, the part numbers that TE has identified as EU ELV compliant have a maximum concentration of 0.1% by weight in homogenous materials for lead, hexavalent chromium, and mercury, and 0.01% for cadmium, or qualify for an exemption to these limits as defined in the Annexes of Directive 2000/53/EC (ELV). Regarding the REACH Regulation, the information TE provides on SVHC in articles for this part number is based on the latest European Chemicals Agency (ECHA) 'Guidance on requirements for substances in articles' posted at this URL: <https://echa.europa.eu/guidance-documents/guidance-on-reach>

Compatible Parts

 <p>TE Part # 53884-1 HSG ASSY,PWR LK,SRS2,1 POS,BLU</p>	 <p>TE Part # 53884-4 HSG ASSY,PWR LK,SRS2,1 POS,RED</p>	 <p>TE Part # 53884-3 HSG ASSY,PWR LK,SRS2,1 POS,BLK</p>	 <p>TE Part # 1385341-1 HDM 9SAPR250F LM</p>
---	---	---	---



Customers Also Bought



Documents

Product Drawings

[CONTACT,PWR LK,SRS2,STRIP,CRMP](#)

English

CAD Files

[3D PDF](#)

3D

[Customer View Model](#)

[ENG_CVM_CVM_53880-2_AK.2d_dxf.zip](#)



English

Customer View Model

[ENG_CVM_CVM_53880-2_AK.3d_igs.zip](#)

English

Customer View Model

[ENG_CVM_CVM_53880-2_AK.3d_stp.zip](#)

English

Customer View Model

[ENG_CVM_53880-2_M.3d_igs.zip](#)

English

Customer View Model

[ENG_CVM_53880-2_M.3d_stp.zip](#)

English

Customer View Model

[ENG_CVM_53880-2_M.2d_dxf.zip](#)

English

3D PDF

English

By downloading the CAD file I accept and agree to the [Terms and Conditions](#) of use.

Product Specifications

Application Specification

English

Application Specification

Japanese

Power-Lock 75 Series Contacts

Japanese

Product Environmental Compliance

TE Material Declaration

English

Instruction Sheets

Instruction Sheet (U.S.)

English

Power Lock Connectors (Series II) (Accept Contacts 53880 and 54330)

English

Instruction Sheet (U.S.)

English