

8

7

6

5

4

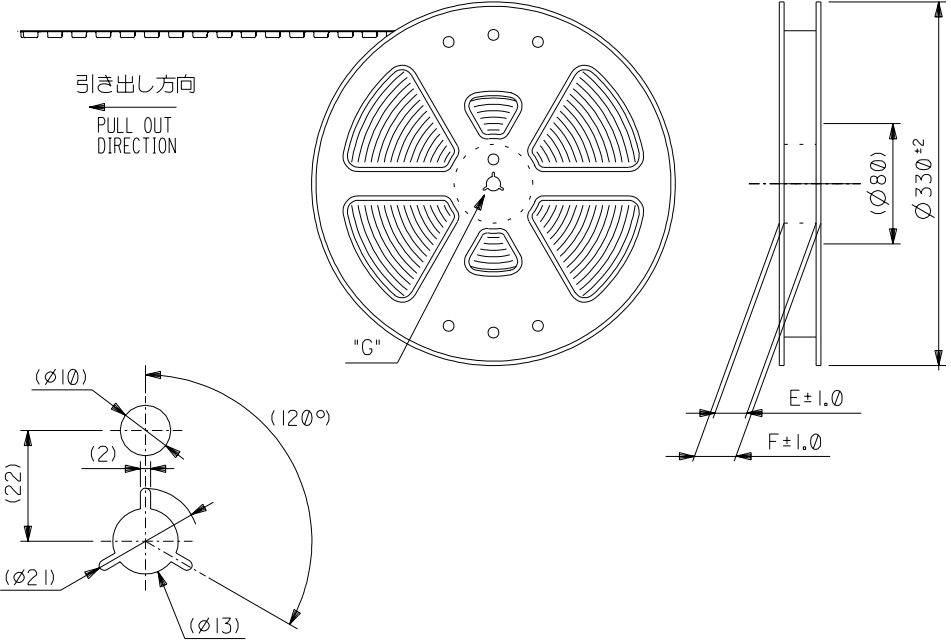
3

2

1

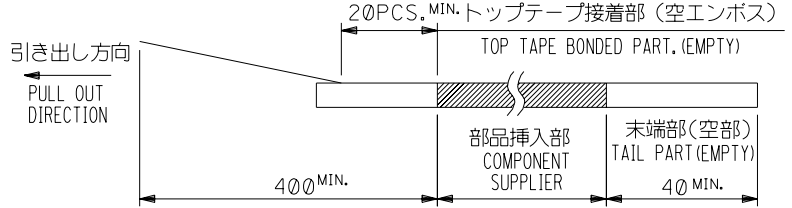
NOTES

- 梱包数量：1500個/リール  
NUMBER OF CONNECTORS : 1500PCS/REEL
- リードテープ長さ LEAD TAPE LENGTH

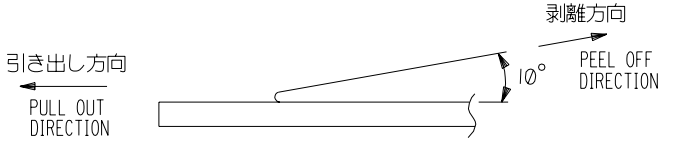


DETAIL "G"

- 材料(MATERIAL)  
キャリアテープ(CARRIER TAPE)：ポリプロピレン(POLYPROPYLENE)  
トップテープ(TOPTAPE)：PET, PE, PEF  
リール(REEL)：ポリスチレン(PS)＜リサイクル材を含む＞  
POLYSTYRENE (PS) <RECYCLE MATERIAL CONTAINED>
- 本製品は 54104-\*\*\*92 の鉛フリー品である。  
THIS PRODUCT IS LEAD FREE OF 54104-\*\*\*92.



- トップテープの剥離強度：0.1～1.3N (10～130gf)  
(剥離方向は下図参照)  
尚、本規格値は出荷時に適用。(但し、輸送時に剥離が発生しないこと。)  
PEELING OFF FORCE OF TOP TAPE : 0.1～1.3N (10～130gf)  
(PEELING DIRECTION AS SHOWN IN FOLLOWING FIG.)  
THIS REQUIREMENT SHOULD BE APPLIED AT SHIPMENT.  
PEEL OFF SHOULD NOT BE ALLOWED, DURING TRANSPORTATION.



44	49.4	45.4	30.8	31.9	26.1	29.6	54104-5096	50	
			28.8	29.9	24.1	27.6	-4696	46	
			28.3	29.4	23.6	27.1	-4596	45	
			27.3	28.4	22.6	26.1	-4396	43	
			25.8	26.9	21.1	24.6	-4096	40	
			24.8	25.9	20.1	23.6	-3896	38	
			23.8	24.9	19.1	22.6	-3696	36	
			23.3	24.4	18.6	22.1	-3596	35	
			22.8	23.9	18.1	21.6	-3496	34	
			22.3	23.4	17.6	21.1	-3396	33	
			21.8	22.9	17.1	20.6	-3296	32	
20.8	21.9	16.1	19.6	54104-3096	30				
キャリアテープ幅 CARRIER TAPE WIDTH		F	E	D	C	B	A	MATERIAL NO.	CIRCUIT

DO NOT SCALE DRAWING

EC NO. DRWN: CHK: APPR:	EC NO. DRWN: CHK: APPR:	EC NO. DRWN: CHK: APPR:	REVISED '04/04/21 EC NO. J2004-3918 DRWN: Y.WADA CHK: M.SASAO APPR: M.SASAO	RELEASED '04/01/22 EC NO. J2004-2032 DRWN: Y.SAKIYAMA CHK: M.SASAO APPR: M.SASAO	MATERIAL 材料 注記参照 SEE NOTES	GENERAL TOLERANCES: (UNLESS SPECIFIED) 一般公差	SCALE	MODEL NO. 54104-***96	DESIGN UNITS <input checked="" type="checkbox"/> mm <input type="checkbox"/> INCH	THIRD ANGLE PROJECTION	DIMENSIONS: <input type="checkbox"/> mm <input type="checkbox"/> INCH <input checked="" type="checkbox"/> mm ONLY	SHT	REV
			A	0	FINISH 仕上げ —	10 UNDER 未満 ±0.2	—	DRAWN BY & DATE Y.SAKIYAMA '04/01/22	TITLE: Embstp Pkg for 0.5 FPC Conn Zif Hsg Assy -LEAD FREE-				
					WIRE RANGE 適用層被範囲 —	10 OVER 30 UNDER 以上 未満 ±0.25		CHECKED BY & DATE M.SASAO '04/01/22	MOLEX MOLEX INCORPORATED				
					INS. RANGE 被覆外径 —	30 OVER 以上 ±0.3		APPROVED BY & DATE M.SASAO '04/01/22	CAD FILENAME SD-54104-072.S01	MATERIAL NO. SEE CHART	DRAWING NO. SD-54104-072	SHEET NO. 1 OF 2	REVISE ON CAD ONLY
THIS DRAWING CONTAINS INFORMATION THAT IS PROPRIETARY TO MOLEX INCORPORATED AND SHOULD NOT BE USED WITHOUT WRITTEN PERMISSION.												SIZE B	

8

7

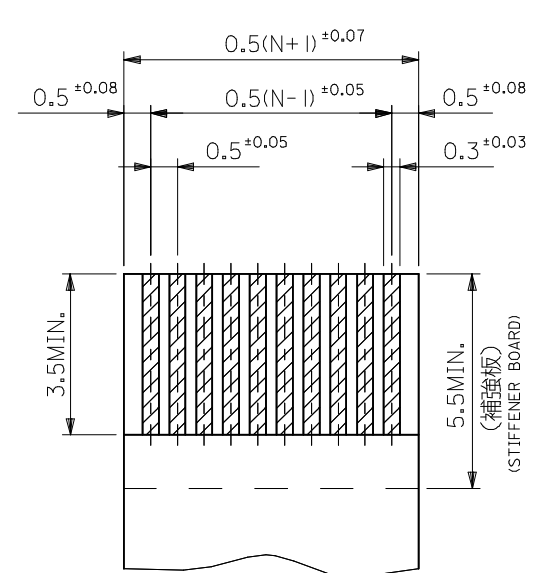
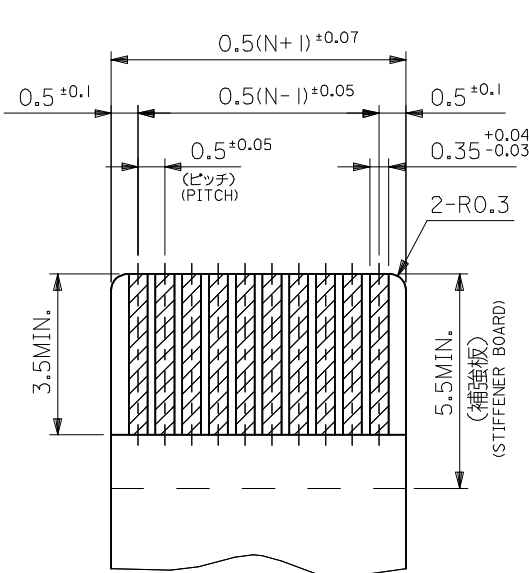
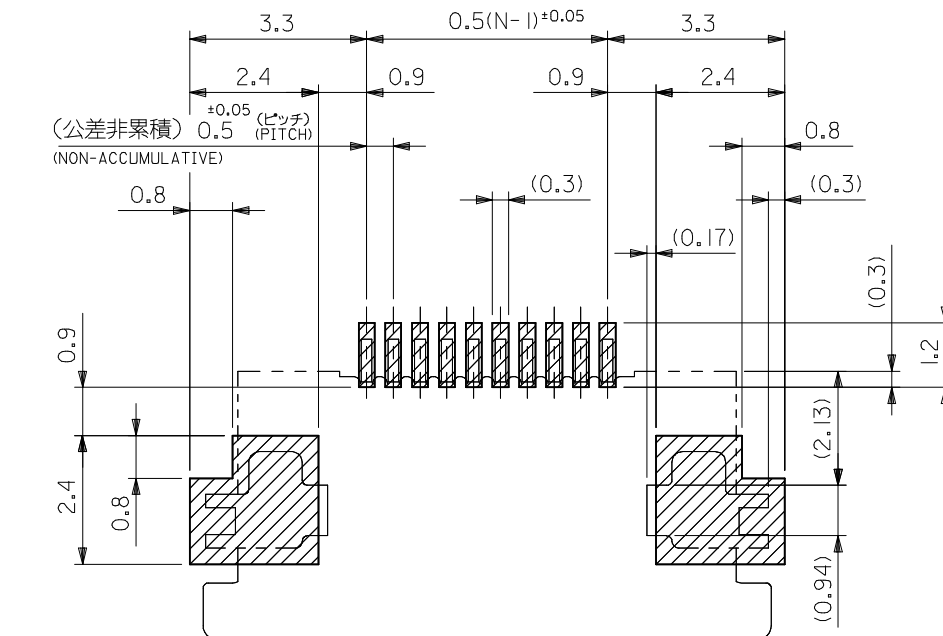
6

5

4

3

2



適合FPC推奨寸法  
 APPLICABLE FPC  
 RECOMMENDED DIMENSION  
 (仕上がり厚さ: 0.3<sup>+0.03</sup>)  
 (THICKNESS: 0.3<sup>+0.03</sup>)

適合FFC推奨寸法  
 APPLICABLE FFC  
 RECOMMENDED DIMENSION  
 (仕上がり厚さ: 0.3<sup>+0.03</sup>)  
 (THICKNESS: 0.3<sup>+0.03</sup>)

参考基板レイアウト  
 RECOMMENDED P.C.BOARD  
 PATTERN DIMENSION (REF.)  
 (マウント面)  
 (MOUNTING SIDE)

注記 NOTES

I. 使用材料 MATERIAL

- ハウジング HOUSING : 46ナイロン, UL94V-0 46NYLON
- アクチュエータ ACTUATOR : PPS, UL94V-0
- ターミナル TERMINAL : リン青銅, ニッケル下地 鍍ビスマスマッキ (t=0.2) PHOS-BRONZE, TIN-BISMUTH OVER NICKEL PLATING.(t=0.2)
- 金具 FITTING NAIL : リン青銅, ニッケル下地 鍍メッキ (t=0.2) PHOS-BRONZE, TIN OVER NICKEL PLATING.(t=0.2)

- エンボステープ梱包時は、アクチュエータがロックした状態とする。  
 IN THE PACKAGE, ACTUATOR OF PART NO.54104-\*\*\*39 SHOULD BE LOCKED.
- ハンダテール半田付け面のスレ量、及び金具半田付け面のスレ量は、基準面 H に対し上方向 0.1 MAX. 下方向 0.15 MAX. とし、相互のパラッキ量は、0.1 MAX. とする。  
 MISALIGNMENT OF SOLDER TAILS AND FITTING NAILS FROM UPPER DIRECTION: 0.1 MAX., LOWER DIRECTION: 0.15 MAX. OFFSET BETWEEN UPPER AND LOWER 0.1 MAX. H
- 偶数極に適用。  
 APPLY FOR EVEN CIRCUIT.
- パターンはくり止め用金具  
 FITTING NAIL FOR PREVENTION OF PEELING OF P.C.B. PATTERN.
- 本製品は 54104-\*\*\*37 の鉛フリー品である。  
 THIS PRODUCT IS LEAD FREE OF 54104-\*\*\*37.

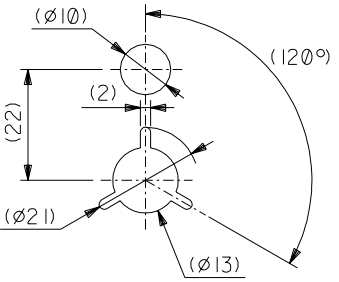
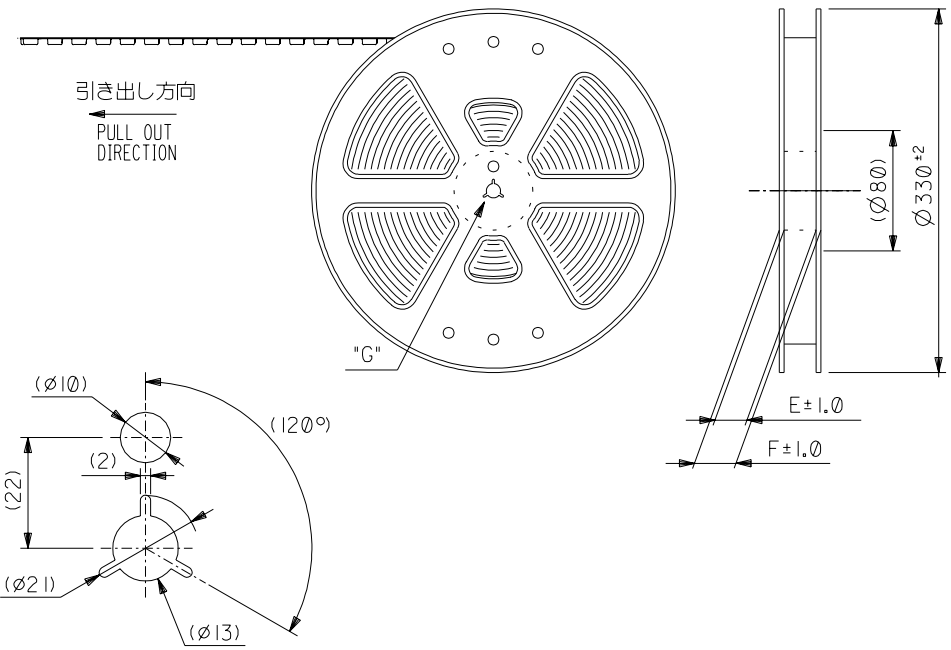
FPC/FFCについて

打抜き方向は導体側から補強板側を推奨いたします。  
 導体部については軟銅箔35マイクロメートルまたは50マイクロメートルメッキ厚 3~9マイクロメートル鍍または半田メッキ (電気メッキ)  
 RECOMMENDED PUNCHER DIRECTION:  
 FROM CONDUCTOR SIDE TO STIFFENER BOARD SIDE.  
 RECOMMENDED CONDUCTOR SPEC.:  
 THICKNESS OF SOFT COPPER FOIL:  
 35 micrometer or 50 micrometer  
 TIN OR SOLDER PLATING:  
 3~9 micrometer (ELECTRICAL PLATING)

FPCについて

補強フィルム材質はポリイミドを推奨致します。  
 接着剤は熱硬化接着剤を推奨致します。  
 RECOMMENDED MATERIAL:  
 STIFFENER FILM : POLYIMIDE  
 BONDING AGENT : THERMOSETTING BONDING AGENT

REVISED EC NO: J2008-4308 DRWN: WABEI CHKD: T. HARUYAMA APPR: NUKITA	DESCRIPTION 2008/06/27 2008/06/30	GENERAL TOLERANCES (UNLESS SPECIFIED)		DIMENSION STYLE		SCALE	54104-***39	MODEL NO.
				MM ONLY		---	DESIGN UNITS	THIRD ANGLE PROJECTION
		10 UNDER ±0.2		DRAWN BY DATE		TITLE		
		10 OVER 30 UNDER ±0.25		Y. SAKIYAMA '04/01/22		0.5 FPC CONN ZIF HSG ASSY FOR SMT RA UPR CONT -LEAD FREE-		
		30 OVER ±0.3		CHECKED BY DATE		MOLEX INCORPORATED		
ANGULAR ±3 °		M. SASAO '04/01/22		APPROVED BY DATE		DOCUMENT NO.		
DRAFT WHERE APPLICABLE MUST REMAIN WITHIN DIMENSIONS		M. SASAO '04/01/22		SEE SHEET 1		SD-54104-071		
SIZE A3		THIS DRAWING CONTAINS INFORMATION THAT IS PROPRIETARY TO MOLEX INCORPORATED AND SHOULD NOT BE USED WITHOUT WRITTEN PERMISSION						SHEET NO. 2 OF 2

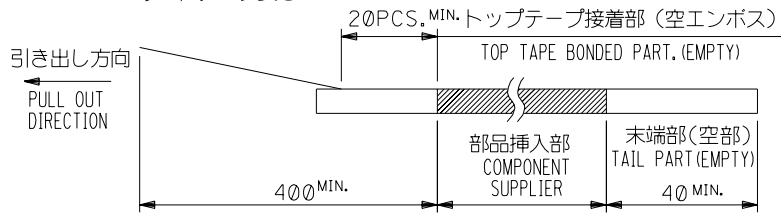


DETAIL "G"

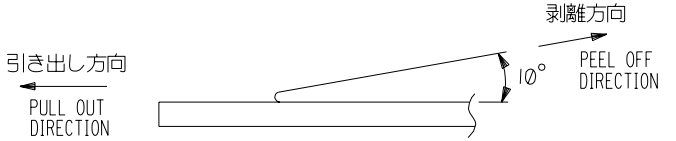
- 材料(MATERIAL)  
 キャリアテープ(CARRIER TAPE): ポリプロピレン(POLYPROPYLENE)  
 トップテープ(TOPTAPE): PET, PE, PEF  
 リール(REEL): ポリスチレン(PS)<リサイクル材を含む>  
 POLYSTYRENE (PS) <RECYCLE MATERIAL CONTAINED>
- 本製品は 54104-\*\*\*92 の鉛フリー品である。  
 THIS PRODUCT IS LEAD FREE OF 54104-\*\*\*92.

NOTES

- 梱包数量: 1500個/リール  
 NUMBER OF CONNECTORS: 1500PCS/REEL
- リードテープ長さ LEAD TAPE LENGTH

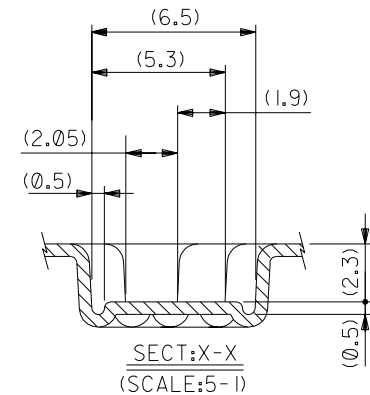
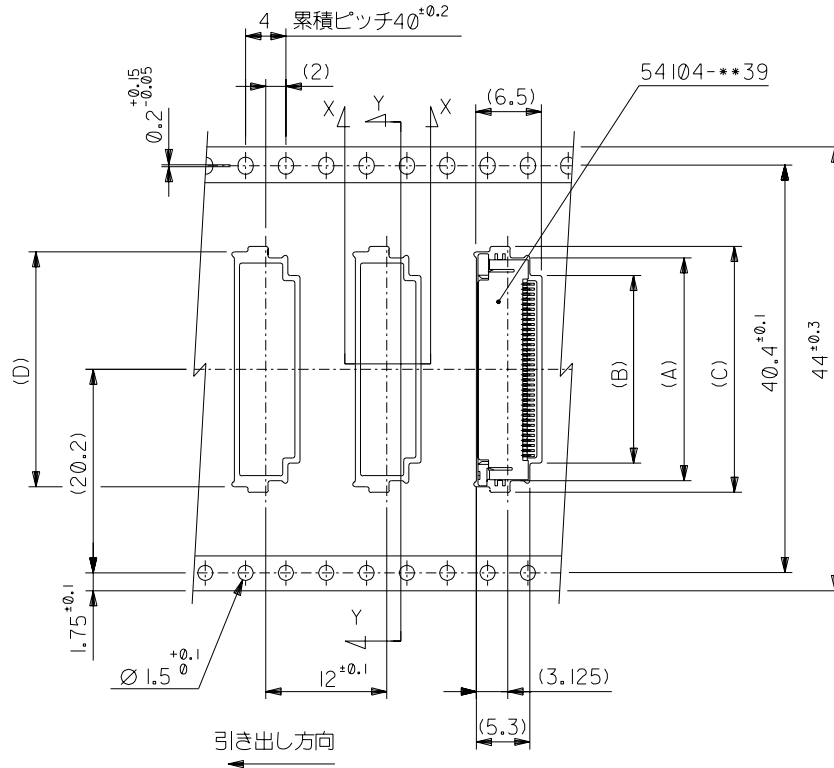
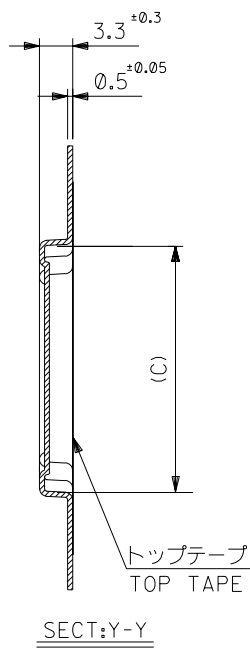


- トップテープの剥離強度: 0.1~1.3N (10 ~ 130gf)  
 (剥離方向は下図参照)  
 尚、本規格値は出荷時に適用。(但し、輸送時に剥離が発生しないこと。)  
 PEELING OFF FORCE OF TOP TAPE: 0.1~1.3N (10 ~ 130gf)  
 (PEELING DIRECTION AS SHOWN IN FOLLOWING FIG.)  
 THIS REQUIREMENT SHOULD BE APPLIED AT SHIPMENT.  
 PEEL OFF SHOULD NOT BE ALLOWED, DURING TRANSPORTATION.



44	49.4	45.4	30.8	31.9	26.1	29.6	54104-5096	50
			28.8	29.9	24.1	27.6	-4696	46
			28.3	29.4	23.6	27.1	-4596	45
			27.3	28.4	22.6	26.1	-4396	43
			25.8	26.9	21.1	24.6	-4096	40
			24.8	25.9	20.1	23.6	-3896	38
			23.8	24.9	19.1	22.6	-3696	36
			23.3	24.4	18.6	22.1	-3596	35
			22.8	23.9	18.1	21.6	-3496	34
			22.3	23.4	17.6	21.1	-3396	33
			21.8	22.9	17.1	20.6	-3296	32
			20.8	21.9	16.1	19.6	54104-3096	30
キャリアテープ幅 CARRIER TAPE WIDTH	F	E	D	C	B	A	MATERIAL NO.	CIRCUIT

EC NO. DRAWN: CHK: APPR:	EC NO. DRAWN: CHK: APPR:	EC NO. DRAWN: CHK: APPR:	REVISED '04/04/21 EC NO. J2004-3918 DRAWN: Y.WADA CHK: M.SASAO APPR: M.SASAO	REVISED '04/01/22 EC NO. J2004-2032 DRAWN: Y.SAKIYAMA CHK: M.SASAO APPR: M.SASAO	MATERIAL 材料 注記参照 SEE NOTES	GENERAL TOLERANCES: (UNLESS SPECIFIED) 一般公差	SCALE	MODEL NO. 54104-***96	DESIGN UNITS <input checked="" type="checkbox"/> mm <input type="checkbox"/> INCH	THIRD ANGLE PROJECTION <input checked="" type="checkbox"/> THIRD ANGLE	DIMENSIONS: <input type="checkbox"/> mm <input type="checkbox"/> INCH <input checked="" type="checkbox"/> mm ONLY	SHT	REV	
			A	0	FINISH 仕上げ //	10 UNDER 未満 未満	±0.2	DRAWN BY & DATE Y.SAKIYAMA '04/01/22	TITLE: Embstp Pkg for 0.5 FPC Conn Zif Hsg Assy -LEAD FREE-					
					WIRE RANGE 適用線径範囲 //	10 OVER 以上 30 UNDER 未満 未満	±0.25	CHECKED BY & DATE M.SASAO '04/01/22	MOLEX MOLEX INCORPORATED					
					INS. RANGE 被覆外径 //	30 OVER 以上	±0.3	APPROVED BY & DATE M.SASAO '04/01/22	CAD FILENAME SD-54104-072.S01	MATERIAL NO. SEE CHART	DRAWING NO. SD-54104-072	SHEET NO. 1 OF 2	REVISE ON CAD ONLY	
THIS DRAWING CONTAINS INFORMATION THAT IS PROPRIETARY TO MOLEX INCORPORATED AND SHOULD NOT BE USED WITHOUT WRITTEN PERMISSION.												SIZE B		



DO NOT SCALE DRAWING

EC NO. DRWN: CHK: APPR:	EC NO. DRWN: CHK: APPR:	EC NO. DRWN: CHK: APPR:	REVISED '04/04/21	MATERIAL 材料 SHEET 1 OF 2 参照 REFER TO SHEET 1 OF 2	GENERAL TOLERANCES: (UNLESS SPECIFIED) 一般公差		SCALE	MODEL NO.	54104-***96	DIMENSIONS:		SHT	REV	
			EC NO. J2004-3918		FINISH 仕上げ —	10 UNDER 未満	±0.2	DESIGN UNITS	THIRD ANGLE PROJECTION	<input type="checkbox"/> mm <input type="checkbox"/> INCH	<input type="checkbox"/> mm <input type="checkbox"/> INCH	<input checked="" type="checkbox"/> mm ONLY	REVISE ON CAD ONLY	
			DRWN: Y.WADA CHK: M.SASAO APPR: M.SASAO			10 OVER 30 UNDER 以上 未満	±0.25	DRAWN BY & DATE Y.SAKIYAMA '04/01/22	TITLE: Embstp Pkg for 0.5 FPC Conn Zif Hsg Assy -LEAD FREE-					
EC NO. J2004-2032	WIRE RANGE 適用線径範囲 —	30 OVER 以上	±0.3	CHECKED BY & DATE M.SASAO '04/01/22	MOLEX INCORPORATED									
DRWN: Y.SAKIYAMA CHK: M.SASAO APPR: M.SASAO		ANGLE 角度	±3°	CAD FILENAME SD-54104-072.S02	MATERIAL NO.	DRAWING NO.	SHEET NO.							
A	0	INS. RANGE 被覆外径 —		THIS DRAWING CONTAINS INFORMATION THAT IS PROPRIETARY TO MOLEX INCORPORATED AND SHOULD NOT BE USED WITHOUT WRITTEN PERMISSION.		SEE CHART		SD-54104-072		2 OF 2		SIZE B		