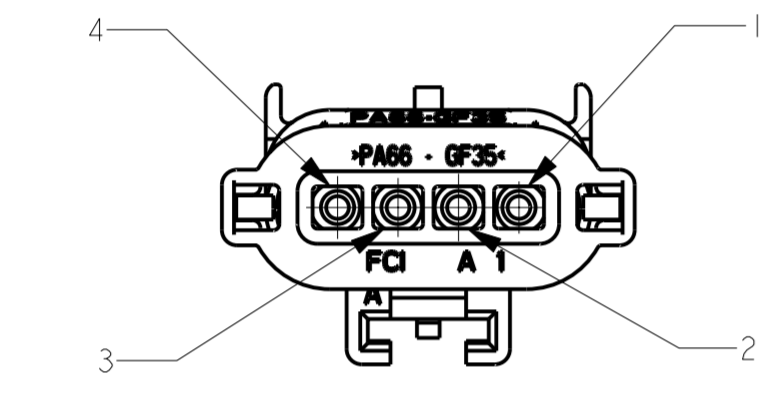
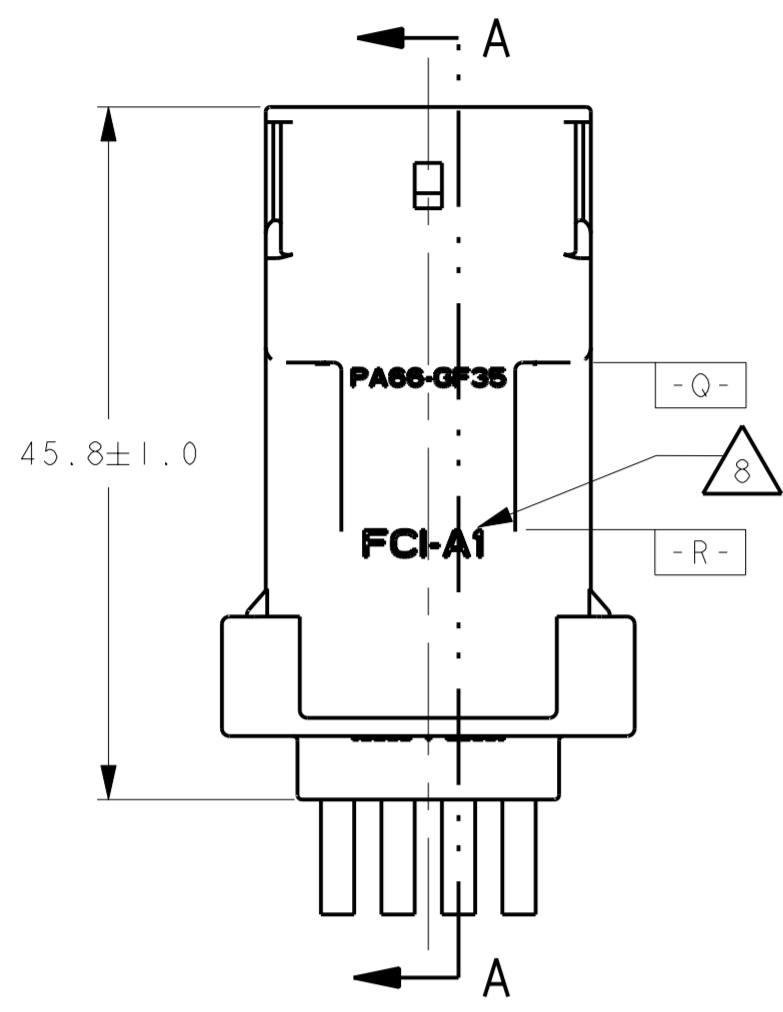
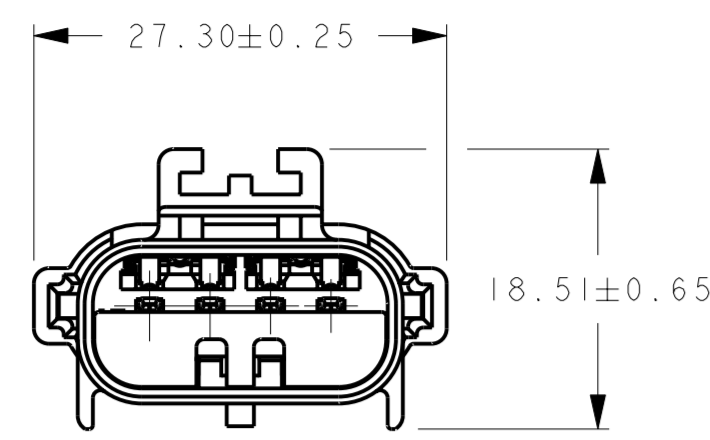
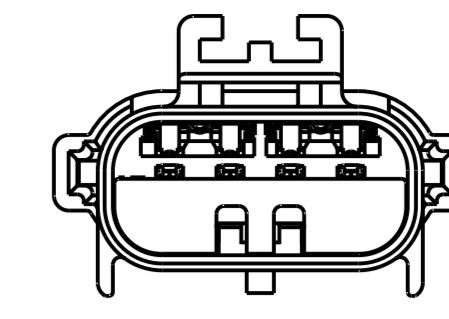
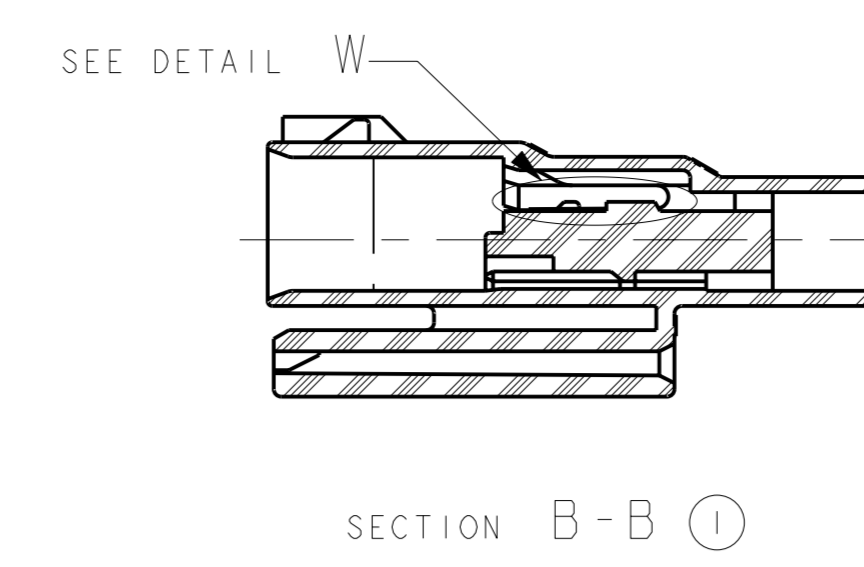
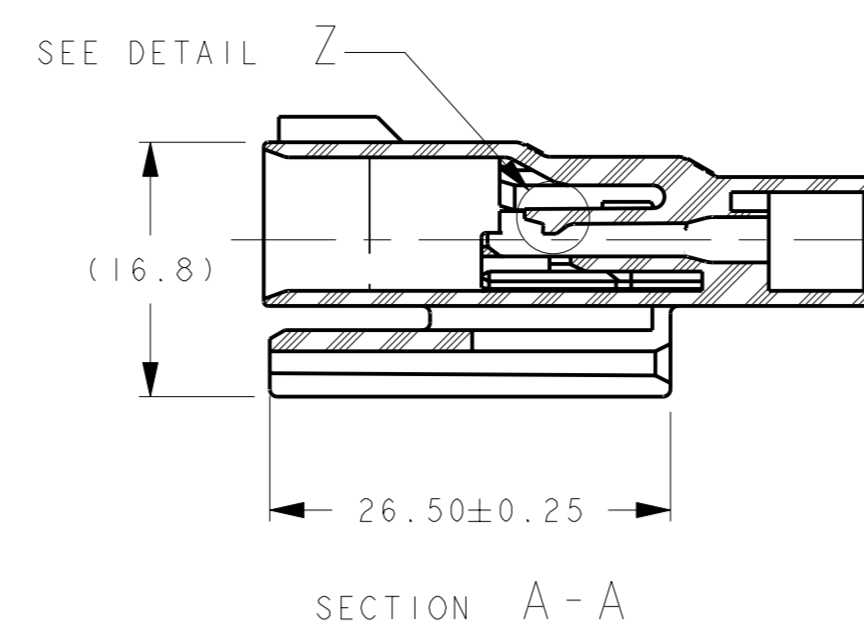
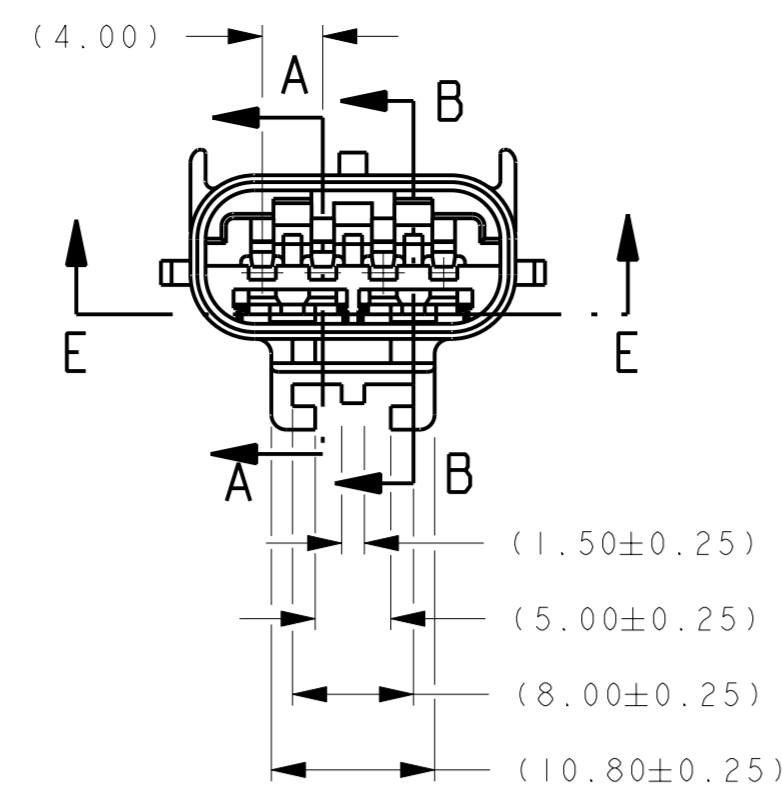




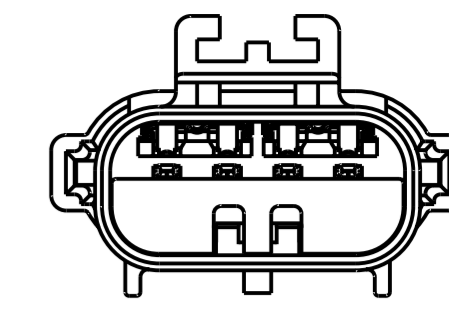
ISOMETRIC VIEWS



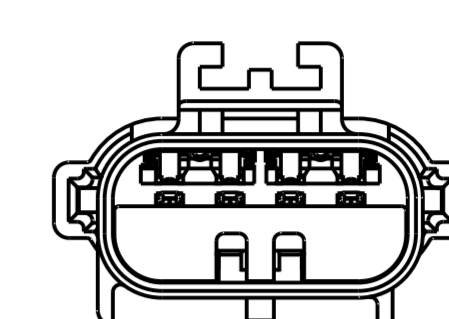
#2 SRS OPTION
CIR #1 & 2, 3 & 4
SHORTED/OPEN
(UNSEALED ALL CAVITIES OPEN)
POL. TYPE "A" SHOWN



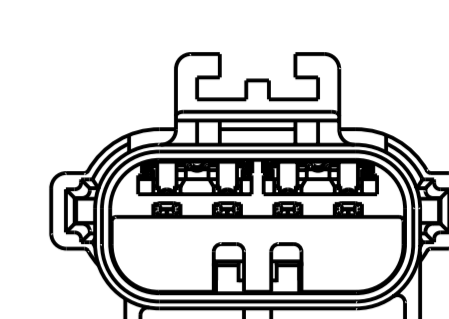
TYPE A



TYPE B

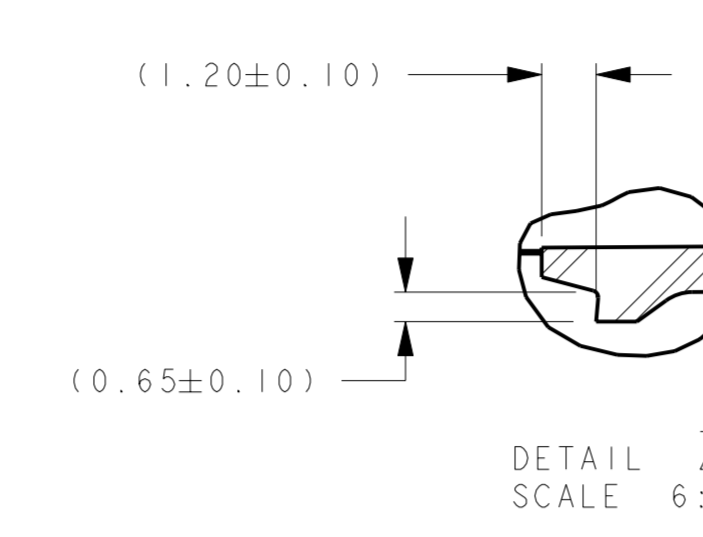
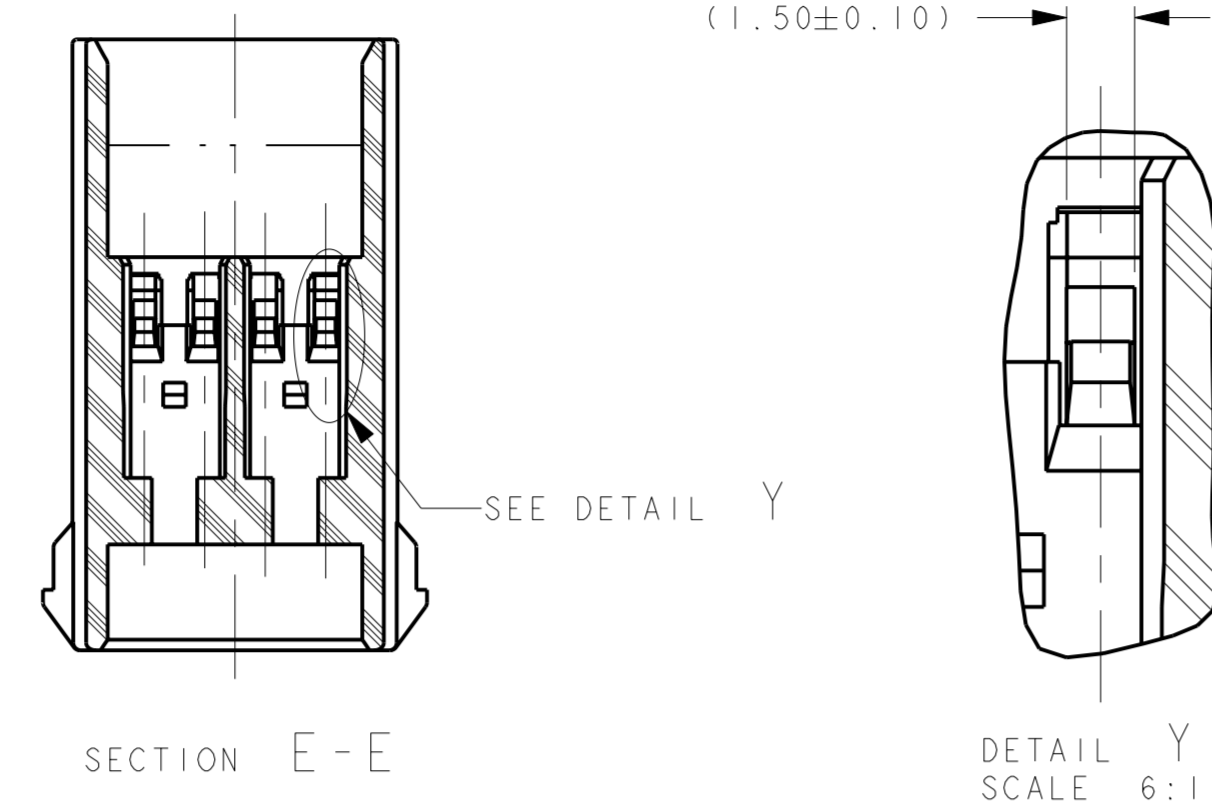


TYPE C

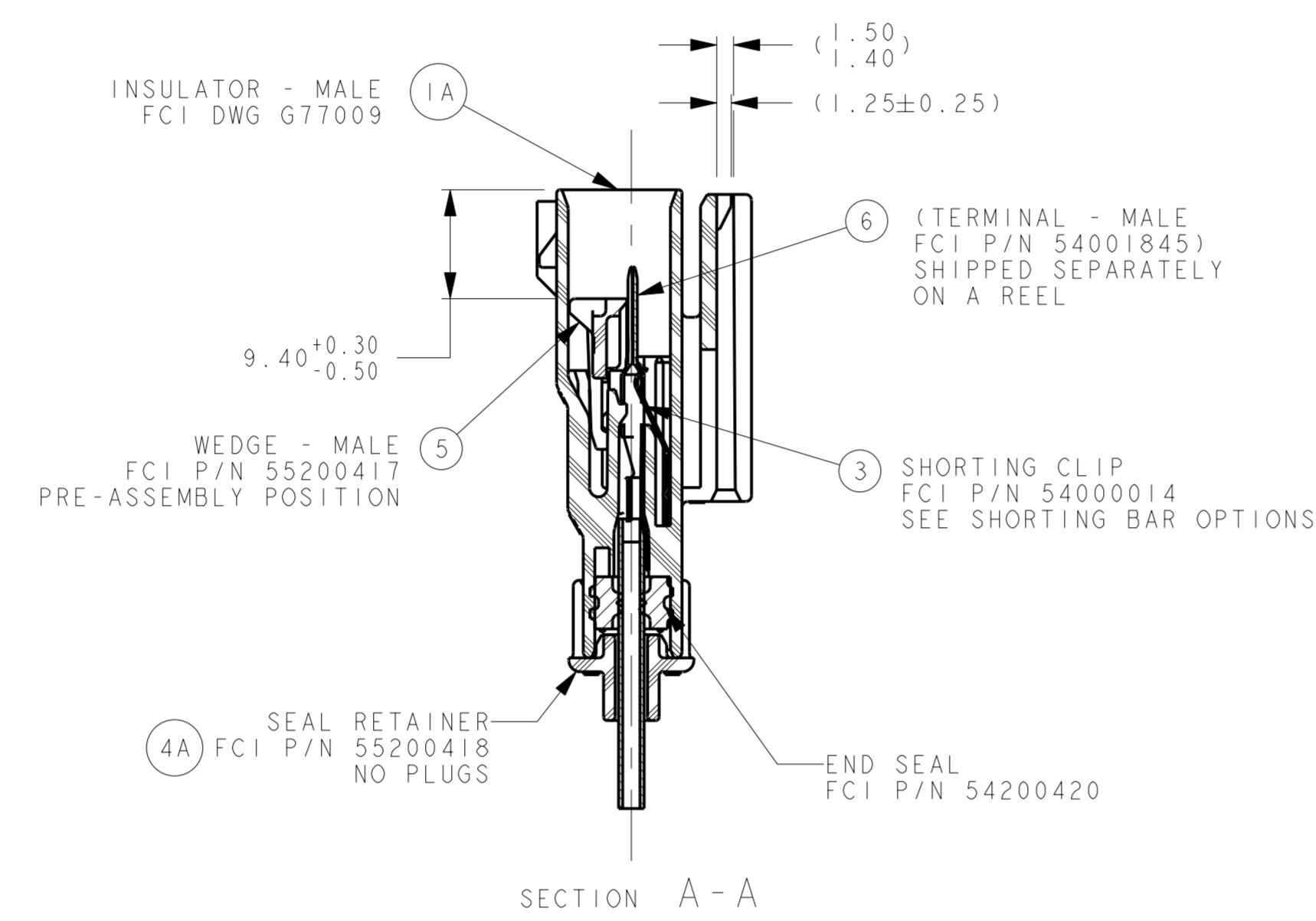
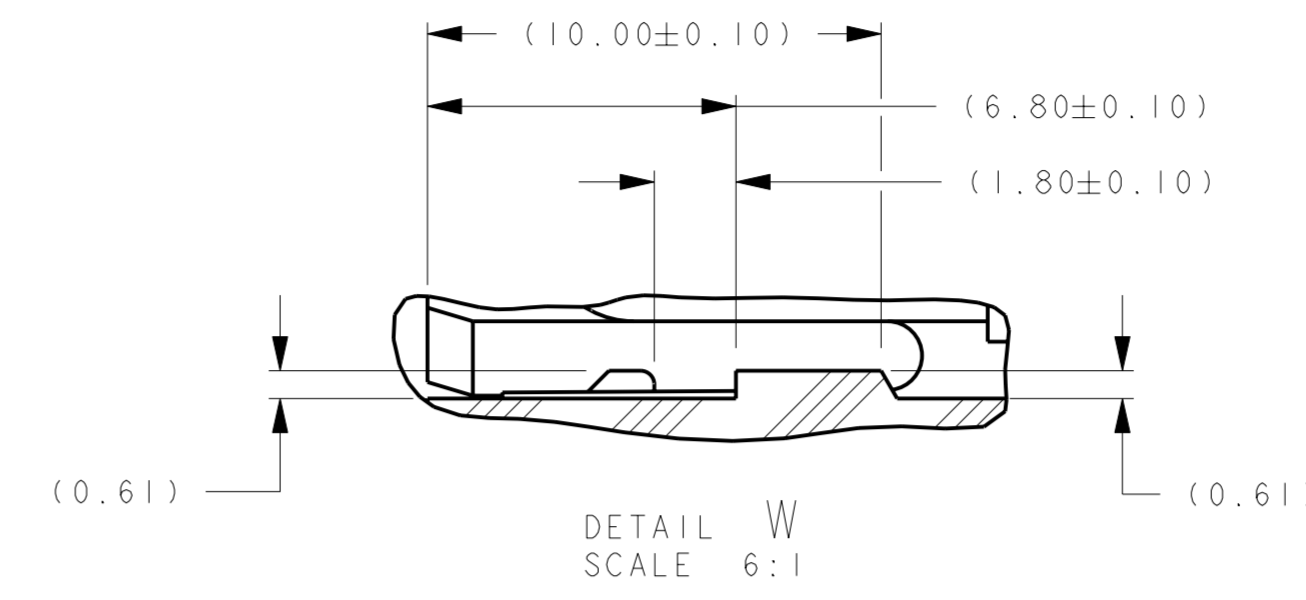


TYPE D

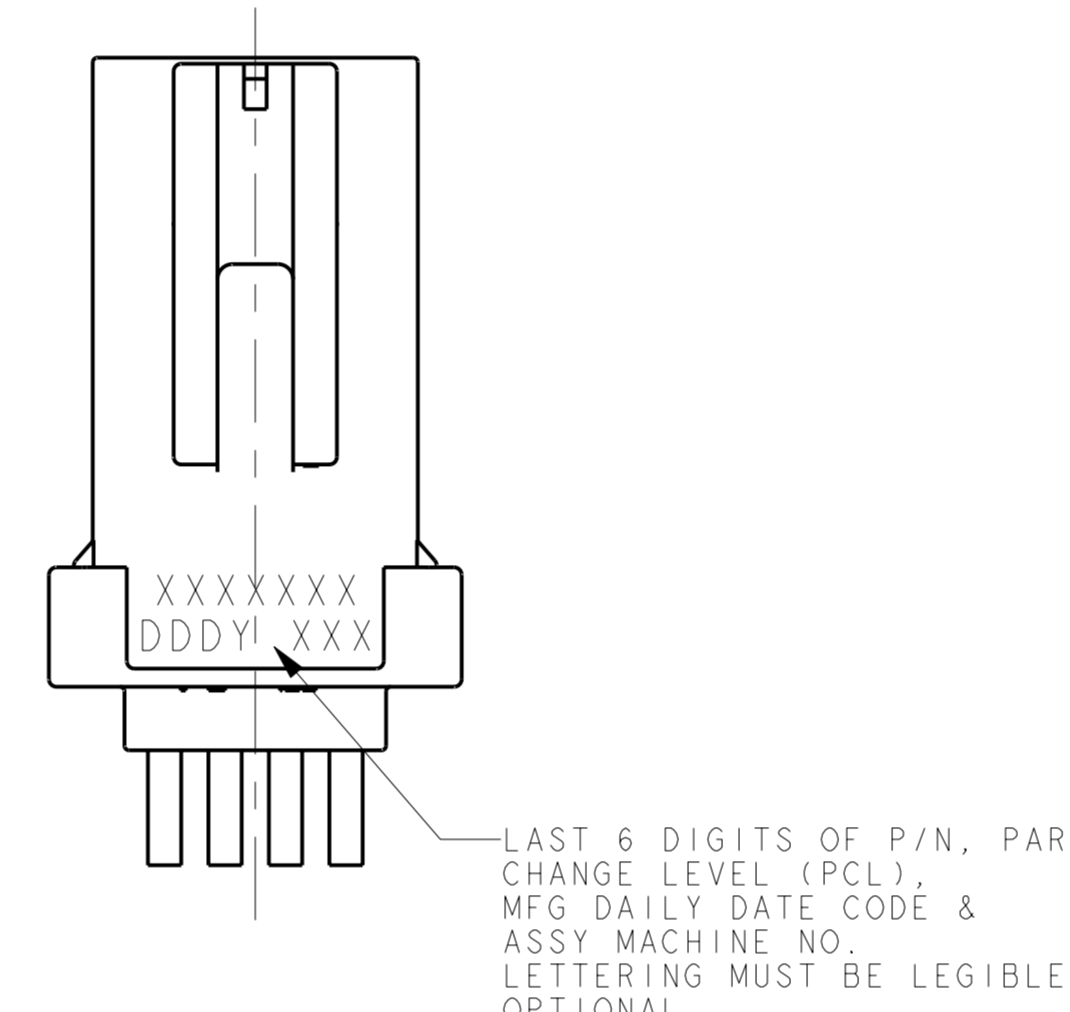
POLARIZATION OPTIONS



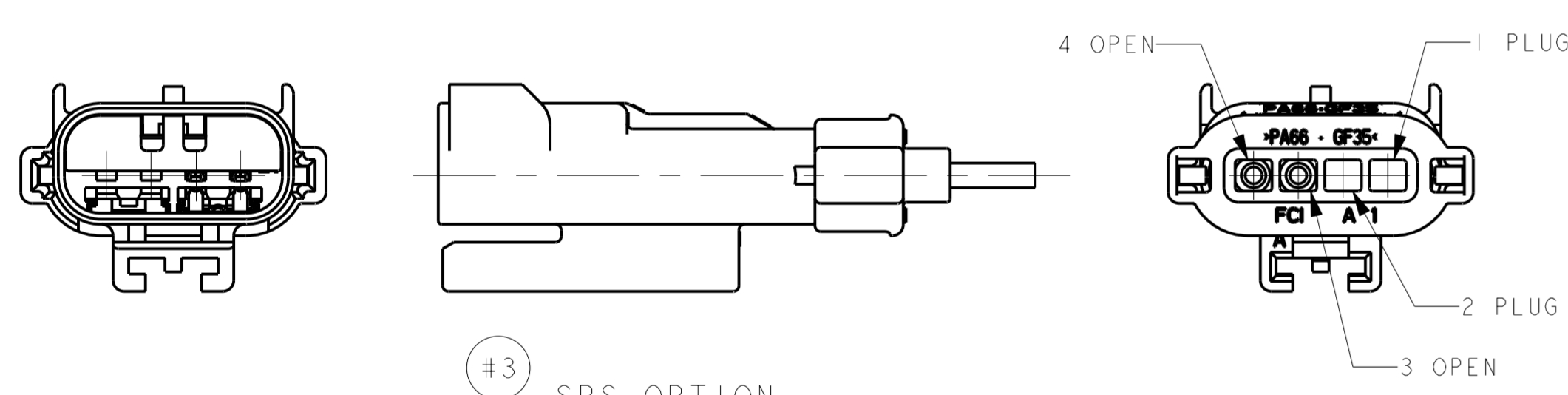
INSULATOR VIEWS FOR REFERENCE ONLY



SEALED ASSEMBLY VIEWS
W/SHORTING CLIP SHOWN

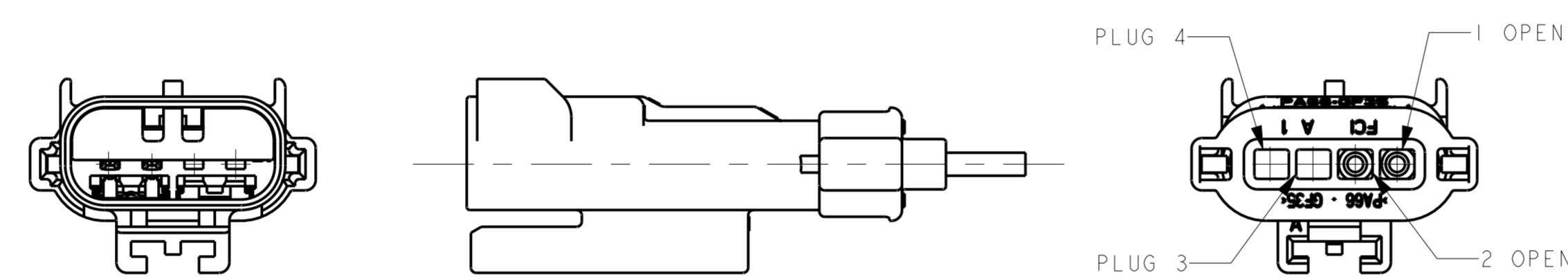


UNSEALED ASSEMBLY VIEW
SHORTING CLIP OPTION



#3 SRS OPTION
CIR #1 & 2 PLUGGED
CIR #3 & 4 SHORTED/OPEN
(UNSEALED ALL CAVITIES OPEN)
POL. TYPE "A" SHOWN

WITH AND WITHOUT
SHORTING BAR (LOCATION)
SRS ASSEMBLY OPTION(S)



#1 SRS OPTION
CIR #1 & 2 SHORTED/OPEN
CIR #3 & 4 PLUGGED
(UNSEALED ALL CAVITIES OPEN)
POL. TYPE "A" SHOWN

NOTES:

- 1 QUALITY ASSURANCE REQUIREMENTS PER CHRYSLER PS-7300: 1 DIMENSIONAL OR PROCESS PARAMETERS PERMISSIBLE
- 2 ENGINEERING APPROVAL OF SUPPLIER SAMPLES IS REQUIRED PRIOR TO AUTHORIZATION OF PART PRODUCTION
- 3 CHANGES IN DESIGN COMPOSITION OR PROCESSING FROM THE PART PREVIOUSLY APPROVED FOR PART PRODUCTION REQUIRES PRIOR ENGINEERING APPROVAL
- 4 WIRING FABRICATORS MUST SPECIFY PROPER INSULATION TYPE FOR TEMPERATURE CLASS THE CONNECTOR SYSTEM IS USED FOR
- 5 ALL THE SEALED CONNECTOR APPLICATIONS MUST BE USED WITH CHRYSLER WIRE SPECIFICATION MS8288, MS9502 OR MS7889 20, 18 OR 16 GAGE WIRES ONLY UNLESS OTHERWISE SPECIFIED (WIRE INSULATIONS Ø1.50 MINIMUM TO Ø2.41 MAXIMUM)
- 6 ALL NON-SEALED APPLICATIONS MAY BE USED WITH ANY WIRE INSULATION 22 GAGE THROUGH 14 GAGE (EXCEPT AS NOTED) PROVIDING THAT A TERMINAL GRIP FOR THAT CORE/INSULATION COMBINATION IS SHOWN ON C18002-CUST TERMINAL DRAWING
- 7 TEST METHOD PER CHRYSLER PERFORMANCE SPECIFICATION SAE/USCAR-2 REV 5, CONNECTOR ENGAGE & DIS-ENGAGE WITH LATCH DEPRESSION FORCE NOT TO EXCEED 75N FOR THIS SYSTEM
- 8 WEDGE SEATING FORCES = 75N MAXIMUM
X-MAS TREE CLIP INSERTION FORCE = 75N MAX
- 9 SUPPLIER, MOLD & CAVITY I.D. SIGNIFIES TOOL OWNERSHIP, FOR REFERENCE
- 10 ANNUAL QUALITY REQUIREMENTS:
IT IS PERMISSIBLE TO PERFORM CONTINUOUS CONFORMANCE PER FCI SPECIFICATION #AQA-001 INSTEAD OF ANNUAL LAYOUT & ANNUAL PV REQUIREMENTS OF QS 9000 SECTION 2 & SAE/USCAR-2 REV 5 EXCEPT AS NOTED BELOW:
WEDGE INSERTION TO FULLY SEATED POSITION IS 6N MINIMUM AND WEDGE REMOVAL FROM FULLY SEATED POSITION IS 75N MAXIMUM
- 11 ALL NON-REFERENCE DIMENSIONS ARE REQUIRED
- 12 MUST CONFORM TO THE FOLLOWING CHRYSLER/YMA STANDARDS:
SAE/USCAR-2 REV 3 EXCEPT AS NOTED ABOVE
PS-7300 QUALITY ASSURANCE (CHRYSLER)
PS-4480-CEK-4 (CHRYSLER) PART I.D., (G-009-2 YNA)
PS-9227 DATA EXCHANGE (CHRYSLER), (G-009-7 YNA)
PS-10052 INFORMATION SECURITY (CHRYSLER)
- 13 USED WITH: DBL X-MAS TREE CLIP - CHRYSLER P/N 04707091
SGL X-MAS TREE CLIP - CHRYSLER P/N 04625797
C18002-CUST 1.5MM TERMINAL IS SYMMETRICAL ABOUT CENTERLINE CAN BE INSERTED 180°
- 14 RETAINER P/N 55200425 IS NOT POLARIZED AND IT MUST HAVE PROPER PLUG LOCATION FOR SINGLE SHORTING CLIP OR 2-WAY APPLICATION SEE SAFETY RESTRAINT SYSTEM (SRS) OPTION VIEWS AND CHART

ITEM	FCI P/N	SRS APPLICATION	INSULATION	WIRE GAGE	WIRE COLOR
54550410	A 54550421	#3 W/CLIP	NO		BRT YELLOW
54550411	B 54550418	#1 W/CLIP	NO		LT YELLOW
54550410	A 54550414	#1 W/CLIP	NO		BRT YELLOW
54550411	B F288110	#2 W/O CLIP	NO		LT YELLOW
54550410	A F188110	#2 W/O CLIP	NO		BRT YELLOW
54550405	B F088110	#1 W/O CLIP	YES		LT YELLOW
54550408	B F978110	#2 W/O CLIP	YES		LT YELLOW
54550406	A F878110	#1 W/O CLIP	YES		BRT YELLOW
54550415	A F778110	#2 W/O CLIP	YES		BRT YELLOW
54550420	A F398110	#3 W/O CLIP	YES		BRT YELLOW
55200433	D 55200437	IN-LINE	NO		NATURAL
55200432	C 55200436	IN-LINE	NO		DK GRAY
55200431	B 55200435	IN-LINE	NO		LT GRAY
55200430	A 55200434	IN-LINE	NO		BLACK
55200403	D 55200407	IN-LINE	YES		NATURAL
55200402	C 55200406	IN-LINE	YES		DK GRAY
55200401	B 55200405	IN-LINE	YES		LT GRAY
55200400	A 55200404	IN-LINE	YES		BLACK
FEMALE ASSY	POL MALE ASSY	SRS OPTION	ASSEMBLY TYPE	SLD	COLOR

CHART- ASSEMBLY PART NUMBERS											
UNSEALED						SEALED					
IN-LINE		SRS APPLICATION		IN-LINE		SRS APPLICATION		IN-LINE		SRS APPLICATION	
WITH CLIP	W/O CLIP	WITH CLIP	W/O CLIP	WITH CLIP	W/O CLIP	WITH CLIP	W/O CLIP	WITH CLIP	W/O CLIP	WITH CLIP	W/O CLIP
55200434						55200405					
55200435						55200406					
55200436						55200407					
55200437						55200408					
54550413						54550416					
54550414						54550419					
54550421						54550407					
54550418						54550412					
F188110						F778110					
F288110						F878110					
55200404						F398110					
55200405						F978110					
55200406						F088110					
55200407											
54550416											
54550409											
54550419											
54550407											
54550412											
F778110											
F878110											
F398110											
F978110											
F088110											
ITEM	FCI P/N	S	PART NAME	COLOR	MATERIAL	ITEM	FCI P/N	S	PART NAME	COLOR	MATERIAL
	55200414		INS POL TYPE "A"	BRT YELLOW	A3EG7		55200414		INS POL TYPE "A"	BRT YELLOW	A3EG7
	55200415		INS POL TYPE "B"	LT YELLOW	A3EG7		55200415		INS POL TYPE "A"	BLACK	A3EG7
	55200421		INS POL TYPE "A"	BLACK	A3EG7		55200421		INS POL TYPE "B"	LT GRAY	A3EG7
	55200422		INS POL TYPE "B"	LT GRAY	A3EG7		55200423		INS POL TYPE "C"	DK GRAY	A3EG7
	55200423		INS POL TYPE "C"	DK GRAY	A3EG7		55200424		INS POL TYPE "D"	NATURAL	A3EG7
	55200424		INS POL TYPE "D"	NATURAL	A3EG7		55200420		END SEAL	BURNT ORANGE	SILICONE
	54000014		SHORTING BAR (SEE SHORTING BAR SRS ASSY OPTION VIEWS)		SS-301		54000014		WEDGE MALE	RED	A3EG7
	55200417		WEDGE MALE	RED	A3EG7		55200417		RETAINER-NO PLUGS	NATURAL	A3EG7
	55200418		RETAINER-NO PLUGS	NATURAL	A3EG7		55200425		RETAINER WITH TWO PLUGS SEE ASSY OPTION 1 & 3 FOR PLUGS LOCATION	BLACK	A3EG7
	55200425		RETAINER WITH TWO PLUGS SEE ASSY OPTION 1 & 3 FOR PLUGS LOCATION	BLACK	A3EG7				CONN ASSY TEMPERATURE CLASS PER SAE/USCAR-2 REV 5		

PART CHANGE LEVEL (PCL)

ITEM	DATE	REV	DESCRIPTION	BY	CHK	APP
11963	8-15-11	F	ASSEMBLED WITHOUT SHORTING CLIP(S) ADDED. SEE OPTION AND SHORTING BAR OPTION AND NOTE 12 REVISED			
10379	5-15-08	E	SHORTED POL A BRT YELLOW (REMOVED POL A SHORTING CLIP)			
10072	12-12-07	D3	SHORTING BAR ASSEMBLY OPTION VIEW UPDATED			
9821	9-13-07	D1	SHORTING BAR ASSEMBLY OPTION VIEW UPDATED			
9428	04-10-07	D	SHORTING BAR ASSEMBLY OPTION VIEW UPDATED			
8845	10-04-06	C1	SHORTING BAR ASSEMBLY OPTION VIEW UPDATED			
8706	8-8-06	C	REVISED & REWORK ON NEW FCI TITLE BLOCK (SGL X-MAS TREE CLIP) ADDED & CHART UPDATED. SHORTING BAR INSULATOR COLORE REVISED.			

G77002