

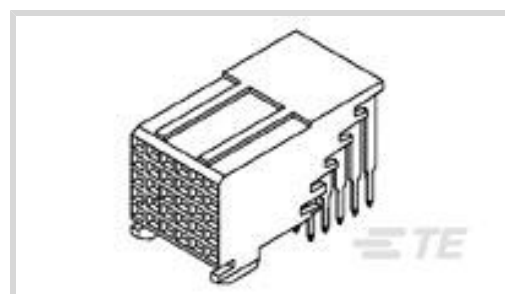
5223008-3 ✓ ACTIVE

Z-PACK Future Bus+

TE Internal #: 5223008-3

TE Internal Description: FB-5R,ASY,090,SIG,REC,EN,3.55

[View on TE.com >](#)



Product Compliance

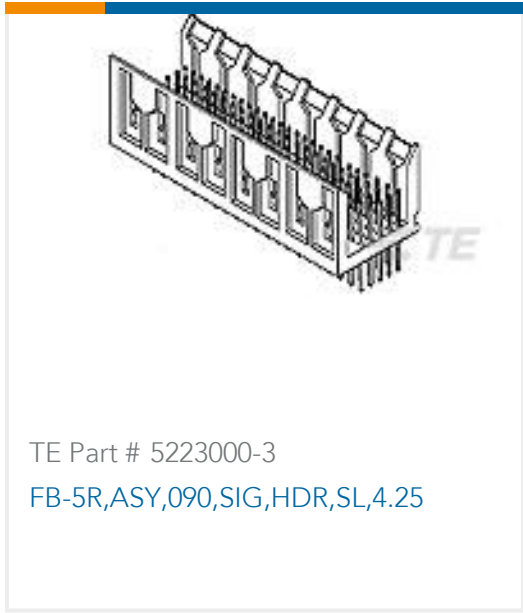
[For compliance documentation, visit the product page on TE.com>](#)

EU RoHS Directive 2011/65/EU	Compliant
EU ELV Directive 2000/53/EC	Compliant
China RoHS 2 Directive MIIT Order No 32, 2016	No Restricted Materials Above Threshold
EU REACH Regulation (EC) No. 1907/2006	Current ECHA Candidate List: JUNE 2022 (224) Candidate List Declared Against: JAN 2021 (211) SVHC > Threshold: Not Yet Reviewed
Halogen Content	Low Halogen - Br, Cl, F, I < 900 ppm per homogenous material. Also BFR/CFR/PVC Free
Solder Process Capability	Not applicable for solder process capability

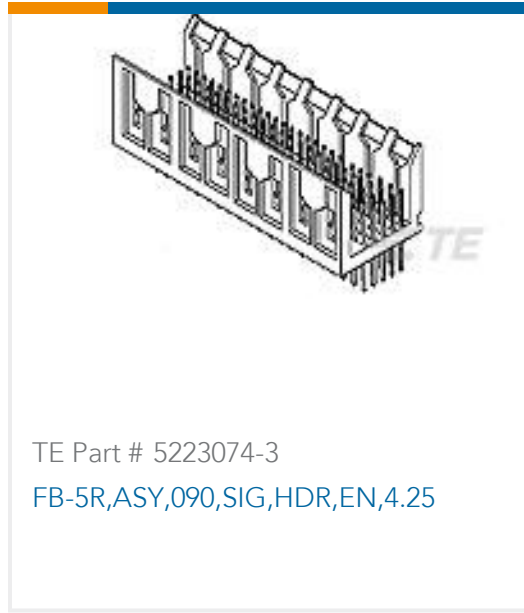
Product Compliance Disclaimer

This information is provided based on reasonable inquiry of our suppliers and represents our current actual knowledge based on the information they provided. This information is subject to change. The part numbers that TE has identified as EU RoHS compliant have a maximum concentration of 0.1% by weight in homogenous materials for lead, hexavalent chromium, mercury, PBB, PBDE, DBP, BBP, DEHP, DIBP, and 0.01% for cadmium, or qualify for an exemption to these limits as defined in the Annexes of Directive 2011/65/EU (RoHS2). Finished electrical and electronic equipment products will be CE marked as required by Directive 2011/65/EU. Components may not be CE marked. Additionally, the part numbers that TE has identified as EU ELV compliant have a maximum concentration of 0.1% by weight in homogenous materials for lead, hexavalent chromium, and mercury, and 0.01% for cadmium, or qualify for an exemption to these limits as defined in the Annexes of Directive 2000/53/EC (ELV). Regarding the REACH Regulation, the information TE provides on SVHC in articles for this part number is based on the latest European Chemicals Agency (ECHA) 'Guidance on requirements for substances in articles' posted at this URL: <https://echa.europa.eu/guidance-documents/guidance-on-reach>

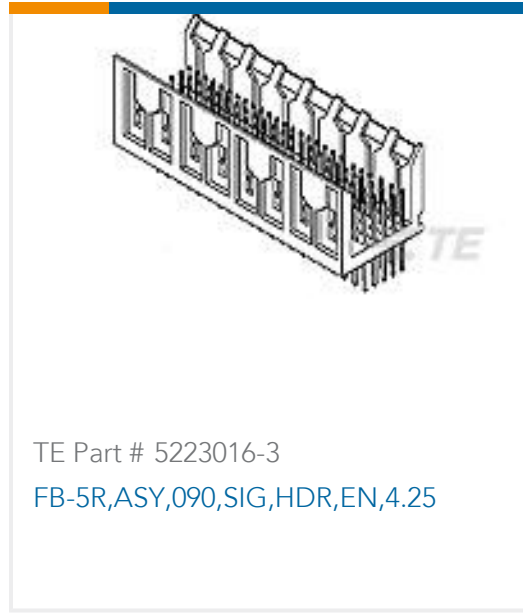
Compatible Parts



TE Part # 5223000-3
FB-5R,ASY,090,SIG,HDR,SL,4.25

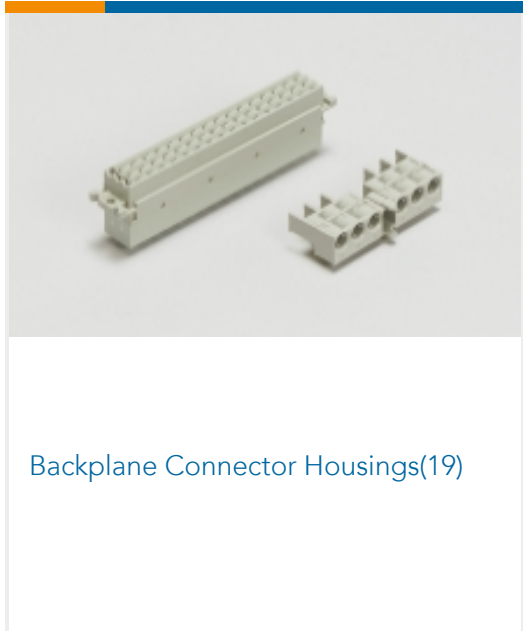


TE Part # 5223074-3
FB-5R,ASY,090,SIG,HDR,EN,4.25



TE Part # 5223016-3
FB-5R,ASY,090,SIG,HDR,EN,4.25

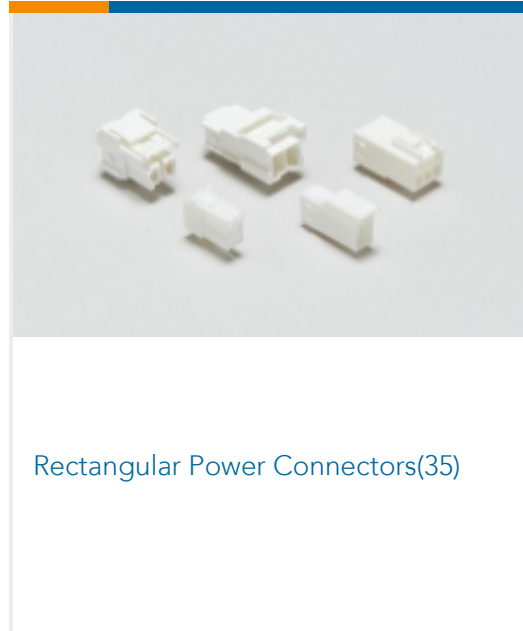
Also in the Series | Z-PACK Future Bus+



Backplane Connector Housings(19)

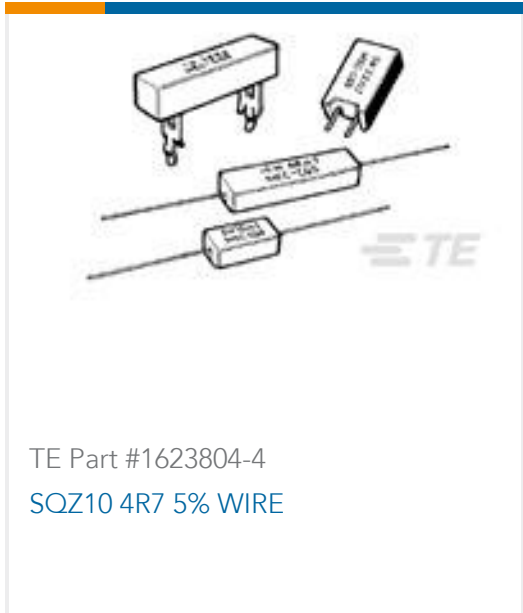


Hard Metric Backplane Connectors(1)



Rectangular Power Connectors(35)

Customers Also Bought



TE Part #1623804-4
SOZ10 4R7 5% WIRE



TE Part #1-188685-2
STD TIMER PCB CONTACT



TE Part #1108846-1
HC26.Base Housing-PCB



TE Part #1415900-7
RT31C024



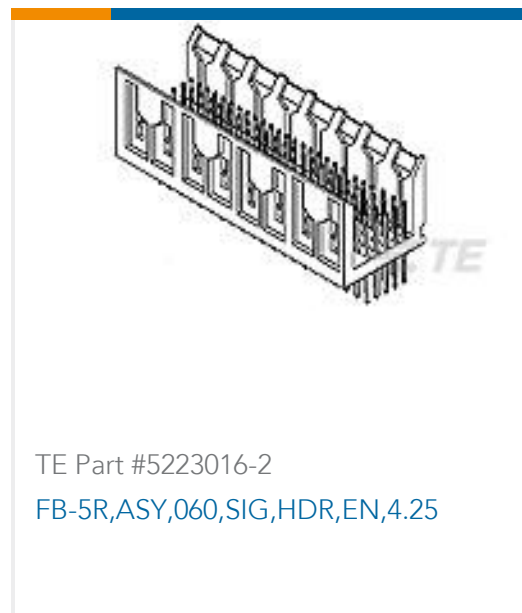
TE Part #1-969973-3
2x13P HV100 REC. CON, SMD, GOLD, BLISTER



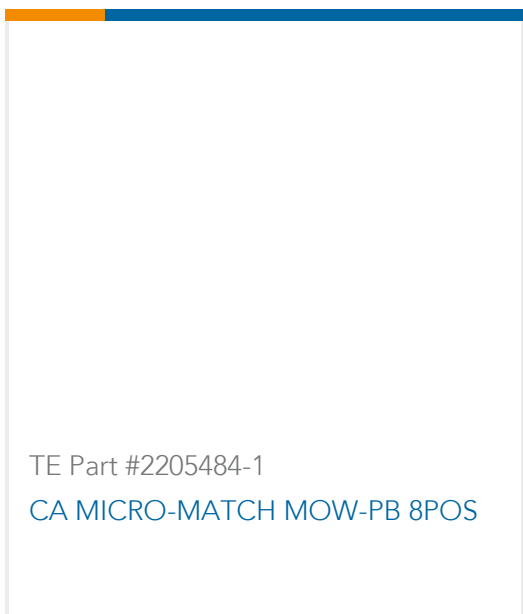
TE Part #1718090-2
2x13P SPEC MODU2 PIN HEADER



TE Part #3-2301994-5
RJ45 JACK INT.MAG. 1GB LED 1X1



TE Part #5223016-2
FB-5R,ASY,060,SIG,HDR,EN,4.25



TE Part #2205484-1
CA MICRO-MATCH MOW-PB 8POS



TE Part #2205485-1
CA MICRO-MATCH MOW-PB 14POS



Documents

Product Drawings

[FB-5R,ASY,090,SIG,REC,EN,3.55](#)

English

CAD Files

[3D PDF](#)

3D

Customer View Model

[ENG_CVM_CVM_5223008-3_B.2d_dxf.zip](#)

English

Customer View Model

[ENG_CVM_CVM_5223008-3_B.3d_igs.zip](#)

English

Customer View Model

[ENG_CVM_CVM_5223008-3_B.3d_stp.zip](#)

English

By downloading the CAD file I accept and agree to the [Terms and Conditions](#) of use.

Product Specifications

[Application Specification](#)

English

Product Environmental Compliance

[MD_5223008-3_110820132247_dmtec](#)

English

[MD_5223008-3_110820132247_dmtec](#)

English

Agency Approvals

[UL Report](#)

English