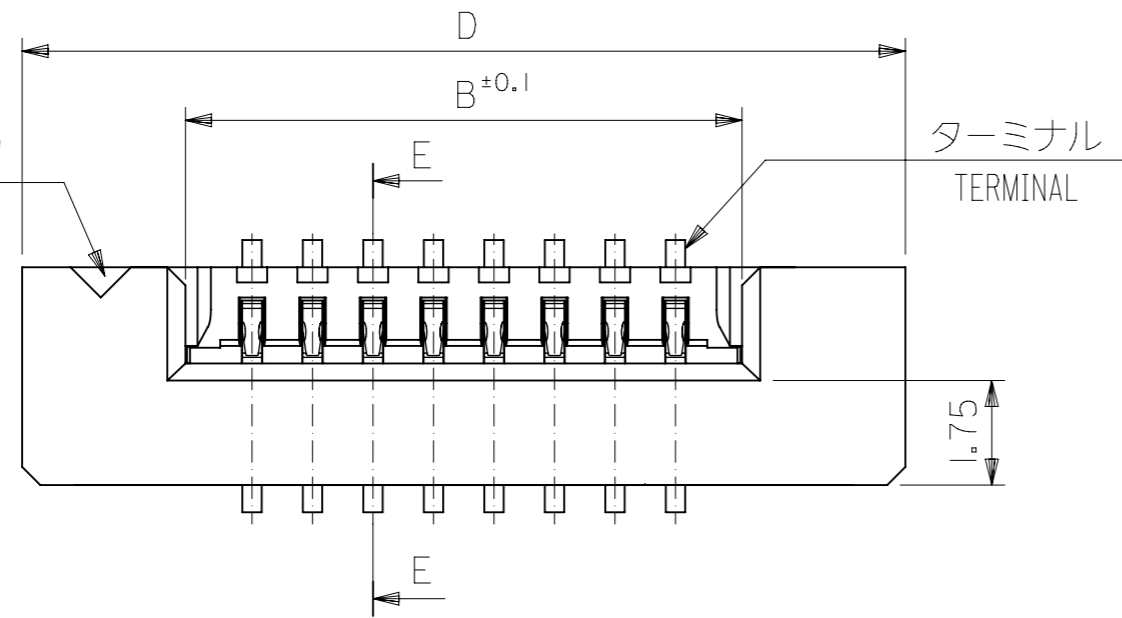
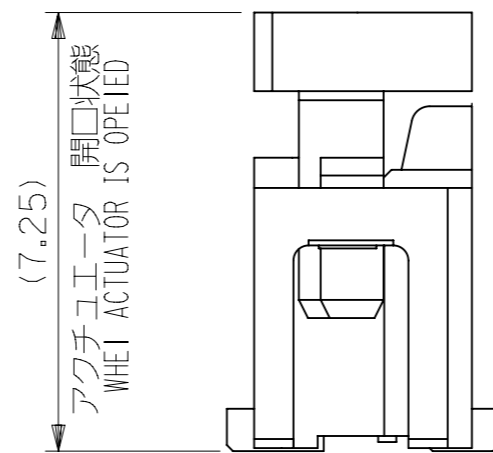


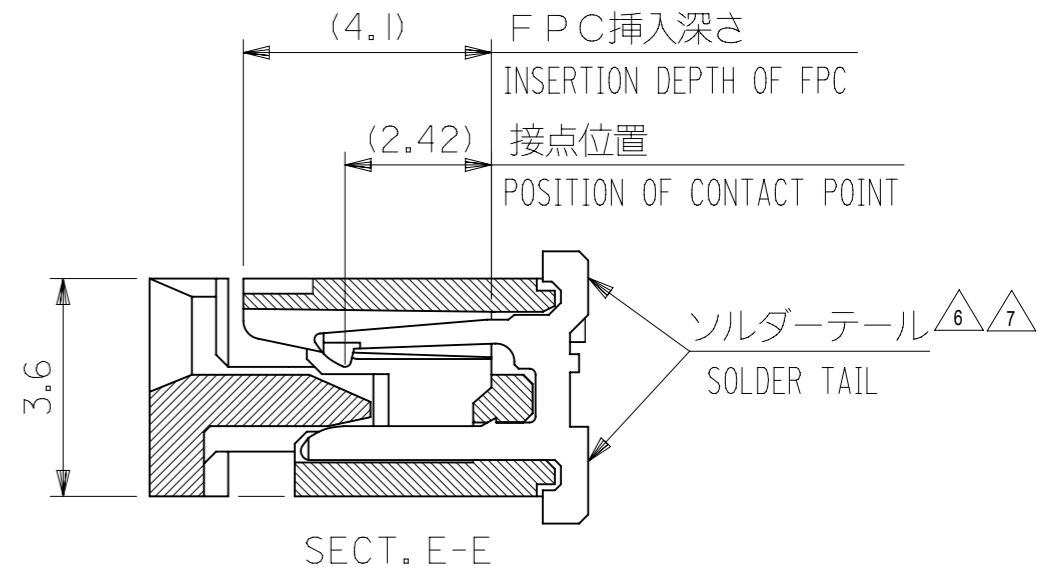
回路番号1マーク  
CIRCUIT NO. 1 MARK



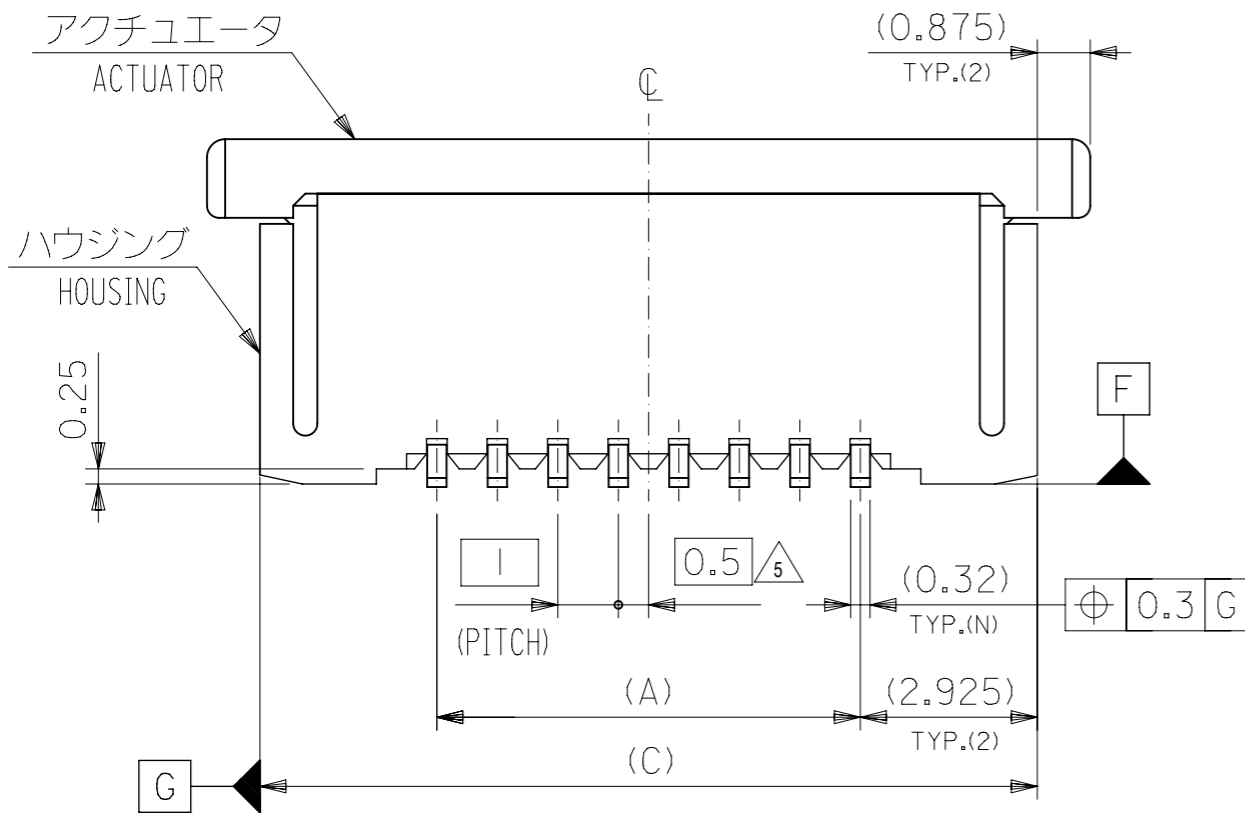
ターミナル  
TERMINAL



アクチュエータ 開口状態  
WHEI ACTUATOR IS OPEIED

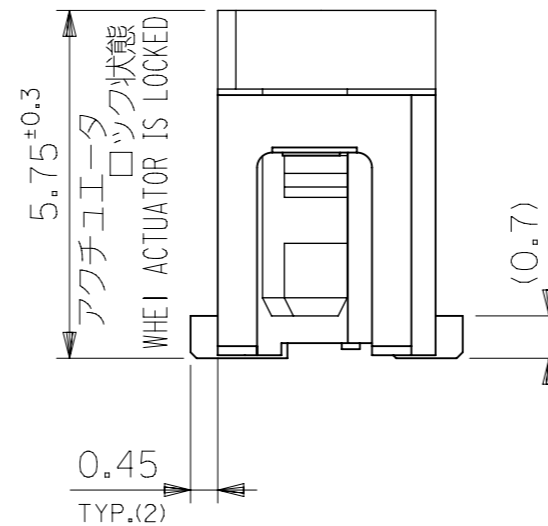


SECT. E-E



アクチュエータ  
ACTUATOR

ハウジング  
HOUSING



アクチュエータ ロック状態  
WHEI ACTUATOR IS LOCKED

36.6	34.85	31.2	29	52610-3033	30
34.6	32.85	29.2	27	52610-2833	28
32.6	30.85	27.2	25	52610-2633	26
31.6	29.85	26.2	24	52610-2533	25
30.6	28.85	25.2	23	52610-2433	24
29.6	27.85	24.2	22	52610-2333	23
28.6	26.85	23.2	21	52610-2233	22
27.6	25.85	22.2	20	52610-2133	21
26.6	24.85	21.2	19	52610-2033	20
25.6	23.85	20.2	18	52610-1933	19
24.6	22.85	19.2	17	52610-1833	18
23.6	21.85	18.2	16	52610-1733	17
22.6	20.85	17.2	15	52610-1633	16
21.6	19.85	16.2	14	52610-1533	15
20.6	18.85	15.2	13	52610-1433	14
19.6	17.85	14.2	12	52610-1333	13
18.6	16.85	13.2	11	52610-1233	12
17.6	15.85	12.2	10	52610-1133	11
16.6	14.85	11.2	9	52610-1033	10
15.6	13.85	10.2	8	52610-0933	9
14.6	12.85	9.2	7	52610-0833	8
13.6	11.85	8.2	6	52610-0733	7
12.6	10.85	7.2	5	52610-0633	6
11.6	9.85	6.2	4	52610-0533	5
D	(C)	B	(A)	EMBOSSED PACKAGE ORDER NO. オーダー番号	極数 CKT.

CONNECTOR SERIES NO.: 52610-\*\*22

THIS DRAWING CONTAINS INFORMATION THAT IS PROPRIETARY TO MOLEX ELECTRONIC TECHNOLOGIES, LLC AND SHOULD NOT BE USED WITHOUT WRITTEN PERMISSION

GENERAL TOLERANCES (UNLESS SPECIFIED)	
10 UNDER	± 0.2
10 OVER 30 UNDER	± 0.25
30 OVER	± 0.3
ANGULAR ± 3 °	
DRAFT WHERE APPLICABLE MUST REMAIN WITHIN DIMENSIONS	

DIMENSION UNITS	SCALE
mm	8:1
GENERAL TOLERANCES (UNLESS SPECIFIED)	
ANGULAR TOL	± 30 °
4 PLACES	± 0.2
3 PLACES	± 0.25
2 PLACES	± 0.3
1 PLACE	±
0 PLACES	±
DRAFT WHERE APPLICABLE MUST REMAIN WITHIN DIMENSIONS	

CURRENT REV DESC: REVISED

**molex**

1.0 FPC CONN ZIF S/T HOUSING ASSY

PRODUCT CUSTOMER DRAWING

DOCUMENT NUMBER: SD-52610-048

DOC TYPE: PSD

DOC PART: 001

REVISION: C

THIRD ANGLE PROJECTION

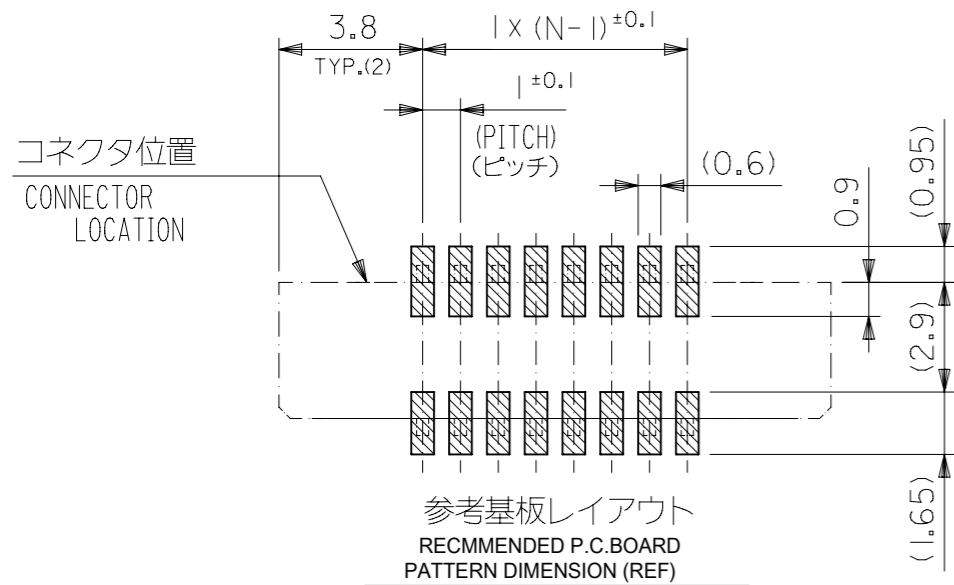
DRAWING: A3-SIZE

SERIES: 52610

MATERIAL NUMBER: SEE TABLE

CUSTOMER: GENERAL MARKET

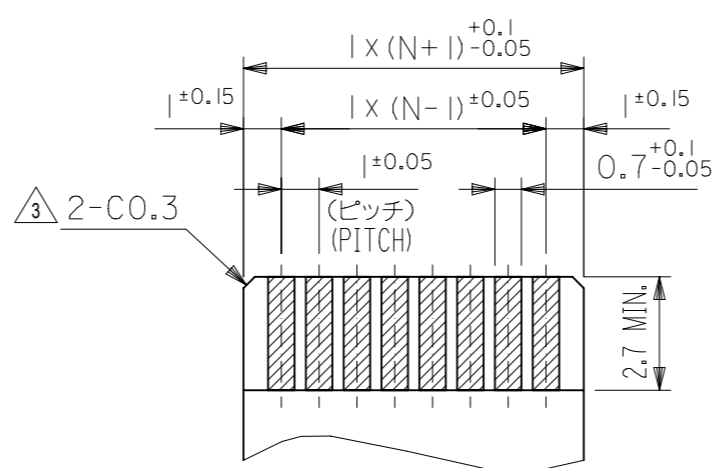
SHEET NUMBER: 1 OF 2



参考基板レイアウト  
RECOMMENDED P.C.BOARD  
PATTERN DIMENSION (REF)

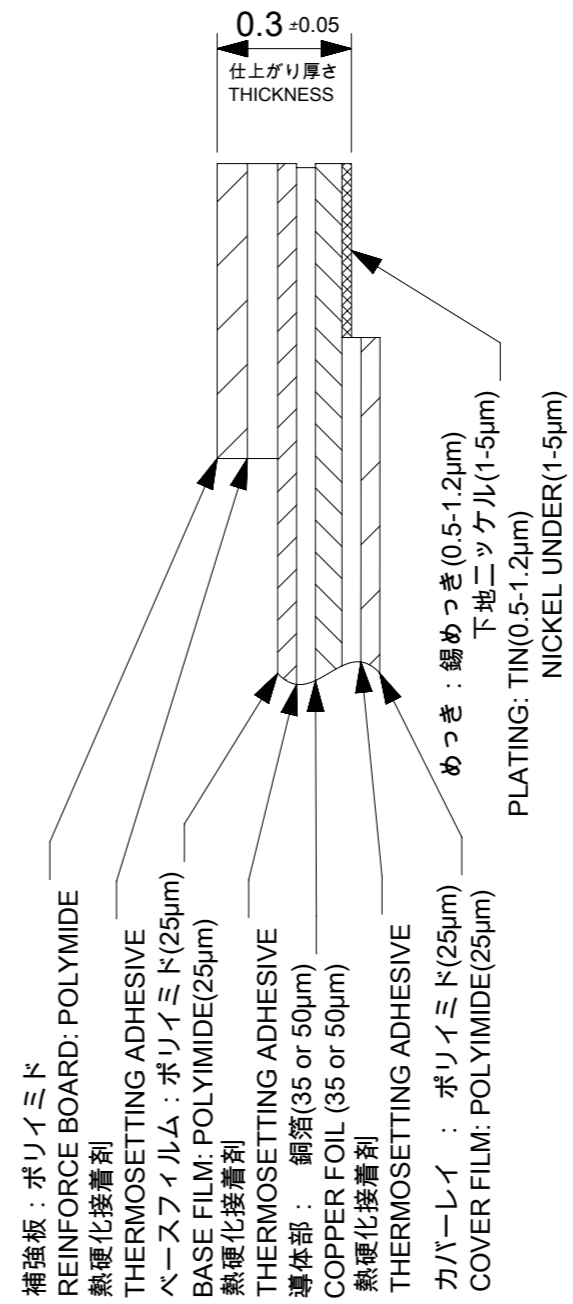
(マウント面)  
(MOUNTING SIDE)

マスク厚 : 120μm  
マスク開口率 : 100%  
SCREEN THICKNESS : 120 MICROMETER  
SCREEN OPEN RATIO : 100%

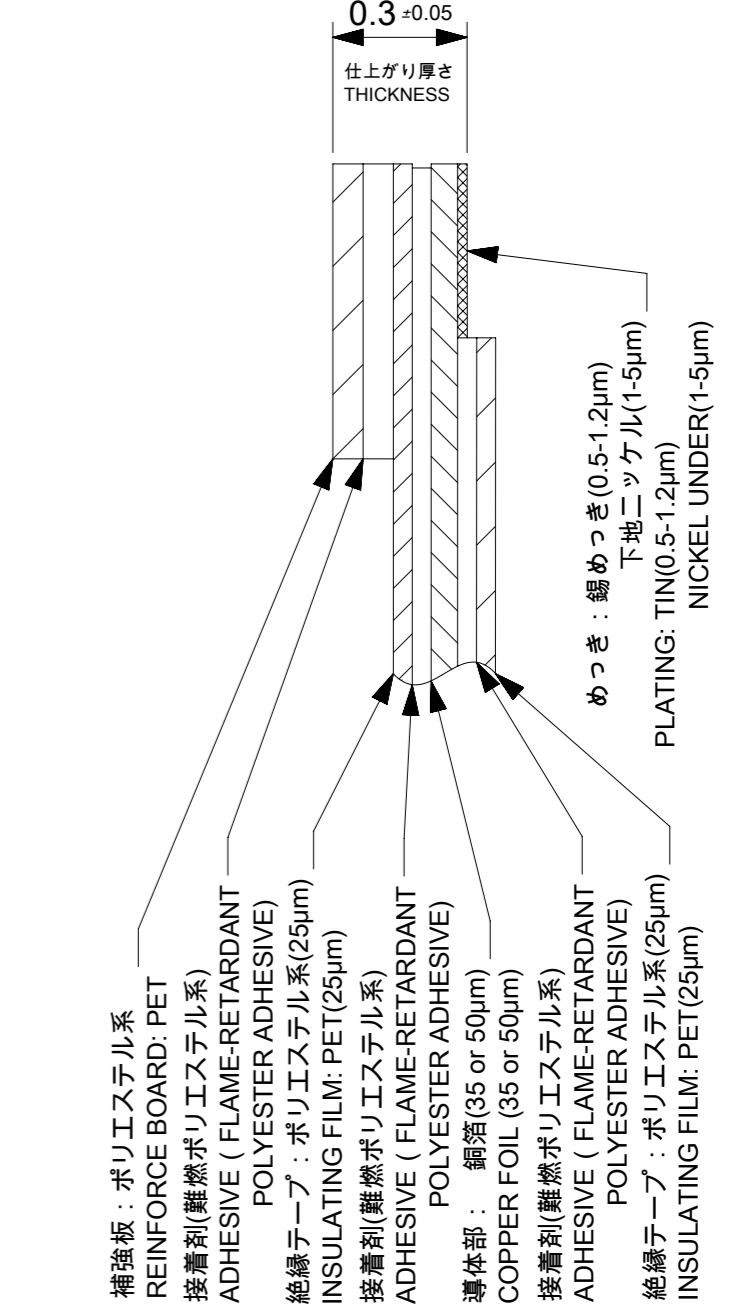


適合FPC/FFC推奨寸法  
APPLICABLE FPC  
RECOMMENDED DIMENSION

(仕上がり厚さ : 0.3±0.05)  
(THICKNESS: 0.3±0.05)



FPC構成推奨仕様  
RECOMMENDED STRUCTURE OF FPC



FFC構成推奨仕様  
RECOMMENDED STRUCTURE OF FFC

注記 (NOTES) :

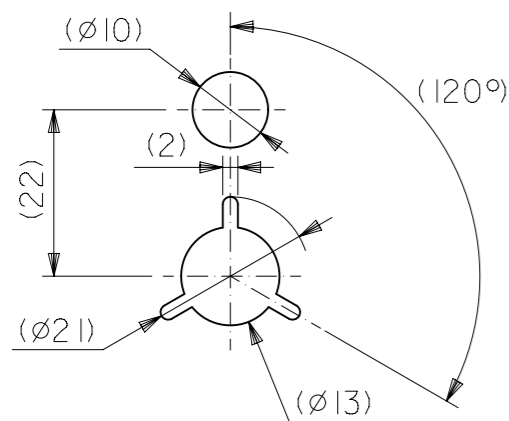
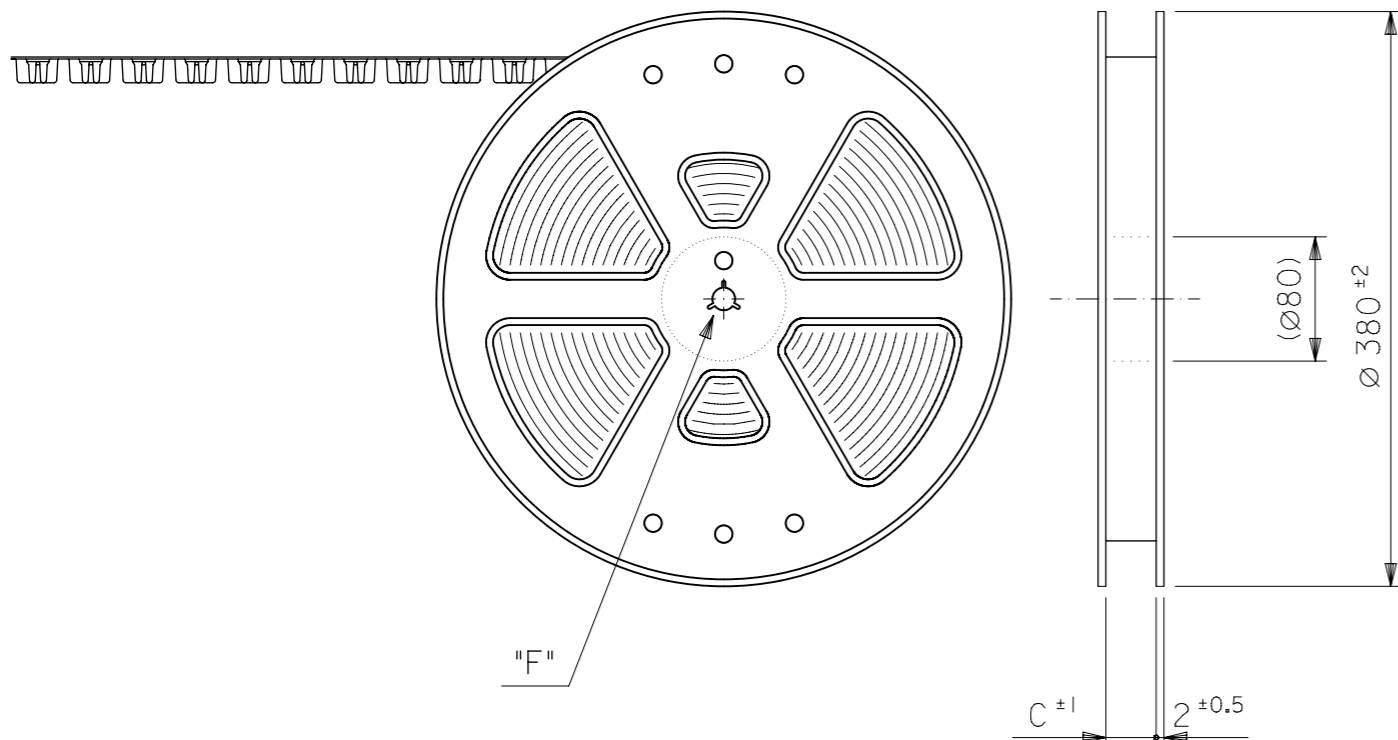
- 材質 MATERIAL  
ハウジング: ポリアミド(PA), ナチュラル(白色), ガラス充填, UL94V-0  
HOUSING: POLYAMIDE, NATURAL(WHITE), GLASS FILLED, UL94V-0  
アクチュエータ: ポリフェニレンサルファイドPPS, ナチュラル(茶色), ガラス充填, UL94V-0  
ACTUATOR: POLYPHENYLENE SULFIDE, NATURAL(BROWN), GLASS FILLED, UL94V-0  
ターミナル: リン青銅 (t=0.32)  
TERMINAL: PHOSPHOR BRONZE (t=0.32)
- めっき仕様 PLATING  
ターミナル TERMINAL  
錫銀ビスマスめっき (1.0μm以上)  
TIN SILVER BISMUTH PLATING (1.0 MICROMETER MINIMUM)  
下地: ニッケルめっき (1.0μm以上)  
UNDER PLATE: NICKEL PLATING (1.0 MICROMETER MINIMUM)
- R0.3はFPCの導体部にかからないこと  
R0.3 MUST NOT BE OVERLAPED TO PATTERN OF FPC.
- エンボステーブ梱包時は、アクチュエータがロックした状態とする。  
IN THE PACKAGE, ACTUATOR SHOULD BE LOCKED.
- 偶数極に適用。  
APPLY FOR EVEN CIRCUIT.
- ソルダーテール半田付け面のズレ量は、基準面Fに対し、上方向0.05MAX、下方向0.15MAXとする。  
MISALIGNMENT OF SOLDER TAILS FROM F UPPER DIRECTION 0.05 MAX., LOWER DIRECTION 0.15 MAX.
- ソルダーテールの平坦度は0.1mm以下とする。  
SOLDERTAIL COPLANARITY IS 0.1MM MAXIMUM.
- ELV及びRoHS適合品  
ELV AND RoHS COMPLIANT

FPC/FFCについて:  
抜き方向は、導体側から補強板側を推奨致します。  
尚、接着剤の接点部への付着は導通不良の原因になりますので、  
染み出しが無い様お願い致します。

ABOUT FPC/FFC:  
RECOMMENDED PUNCHER DIRECTION:  
FROM CONDUCTOR SIDE TO STIFFNER SIDE  
PLEASE PUT APPROPRIATE AMOUNT OF ADHESIVE ON ADHEREND  
BECAUSE THERE IS A POSSIBILITY THAT THE EXTRA ADHESIVE  
CAUSES THE DEFECT IN ELECTRICAL CONTINUITY.

GENERAL TOLERANCES (UNLESS SPECIFIED)		THIS DRAWING CONTAINS INFORMATION THAT IS PROPRIETARY TO MOLEX ELECTRONIC TECHNOLOGIES, LLC AND SHOULD NOT BE USED WITHOUT WRITTEN PERMISSION		CURRENT REV DESC: REVISED			
10 UNDER	± 0.2	mm	SCALE	5:1			
10 OVER 30 UNDER	± 0.25	GENERAL TOLERANCES (UNLESS SPECIFIED)		EC NO: 600129		DOCUMENT NUMBER	
30 OVER	± 0.3	ANGULAR TOL ± 30°		DRWN: YCHEN128 2018/04/11		DOC TYPE DOC PART REVISION	
ANGULAR ± 3°		4 PLACES ± 0.2		CHK'D: KTAKAHASHI 2018/04/12		SD-52610-048	
DRAFT WHERE APPLICABLE MUST REMAIN WITHIN DIMENSIONS		3 PLACES ± 0.25		APPR: NUKITA 2018/04/13		PRODUCT CUSTOMER DRAWING	
		2 PLACES ± 0.3		INITIAL REVISION:		MATERIAL NUMBER	
		1 PLACE ±		DRWN: NASANUMA 2012/09/12		CUSTOMER	
		0 PLACES ±		APPR: KMORIKAWA 2013/03/15		GENERAL MARKET	
		DRAFT WHERE APPLICABLE MUST REMAIN WITHIN DIMENSIONS		THIRD ANGLE PROJECTION		SHEET NUMBER	
				DRAWING		2 OF 2	
				SERIES			
				A3-SIZE			
				52610			

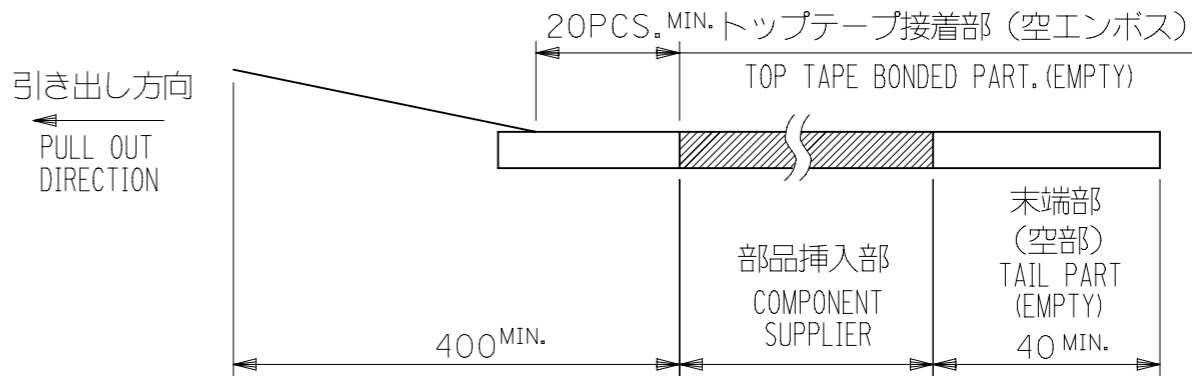
引き出し方向  
PULL OUT  
DIRECTION



DETAIL "F"

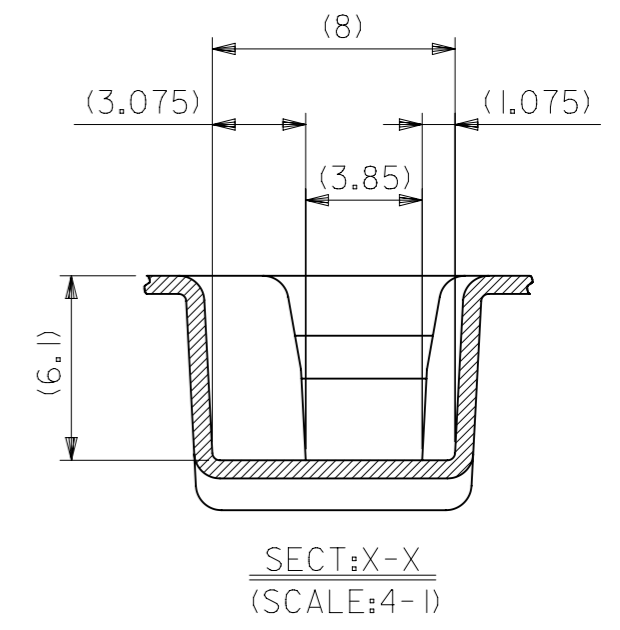
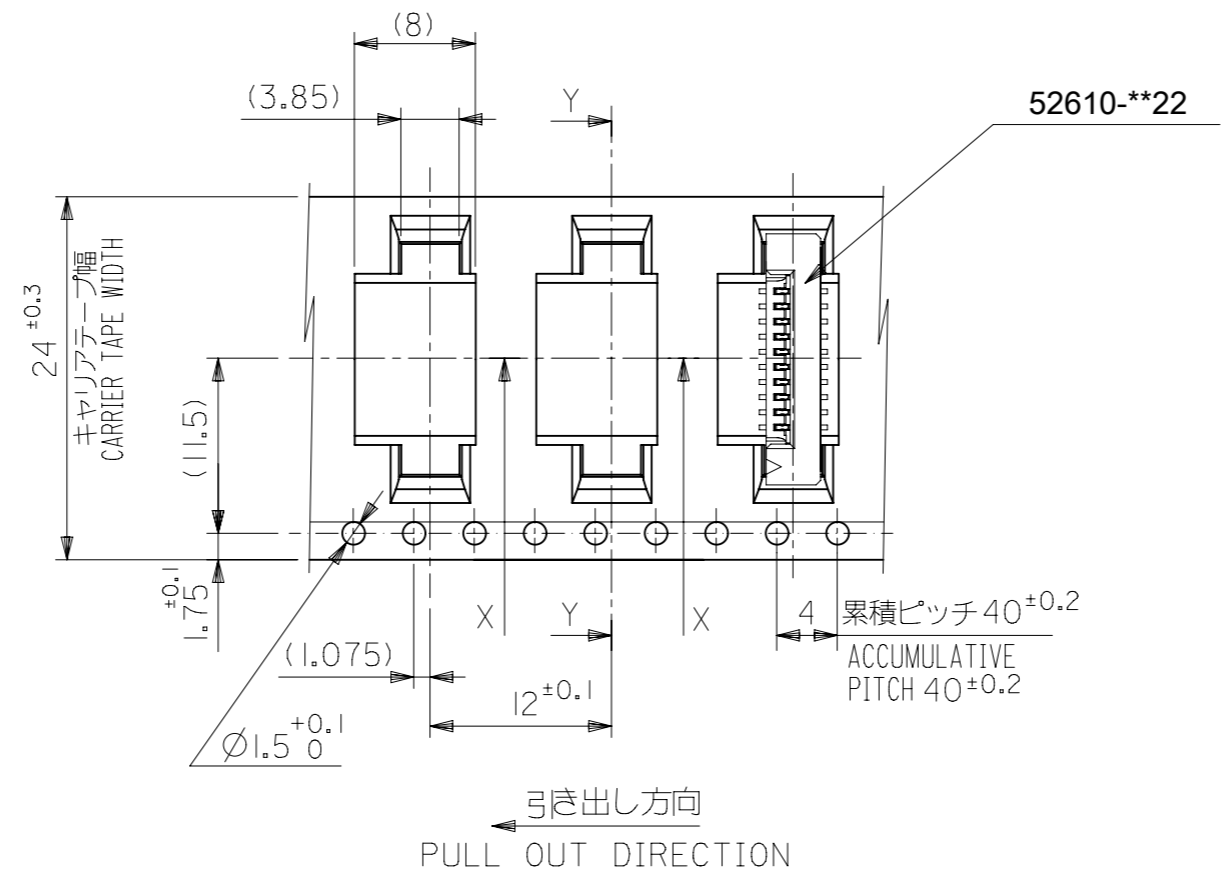
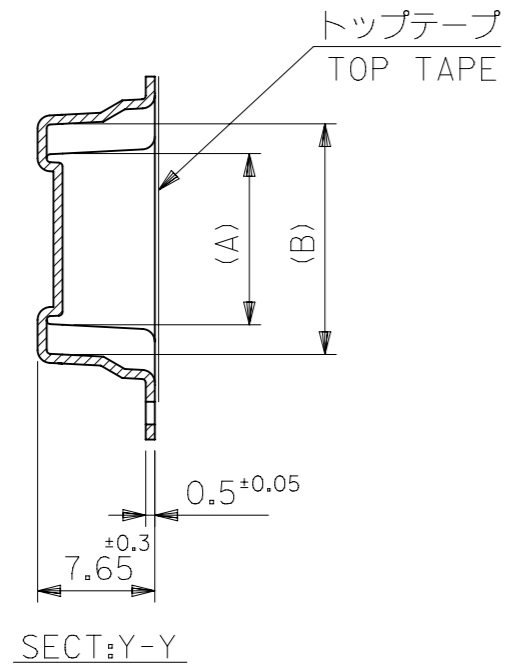
NOTES

- 52610-\*\*22のアクチュエータはハウジング内に押し下げた状態とする。  
詳細寸法については図面SD-52610-048をご参照ください。  
ACTUATOR OF PART NO. 52610-\*\*22 SHULD BE LOCKED.  
RE DETAILED DIMENSIONS, SEE SD-52610-048
- 梱包数量：1000個 / リール  
NUMBER OF CONNECTORS : 1000PCS/REEL
- リードテープ長さ  
LEAD TAPE LENGTH



- カバーテープの剥離強度については、IEC60286-3に準拠  
COVER TAPE PEEL FORCE IS DEFINED BY IEC60286-3.
- 材料(MATERIAL)  
キャリアテープ ( CARRIER TAPE) : ポリプロピレン ( POLYPROPYLENE)  
トップテープ ( TOP TAPE) : PET, PE, PEF  
リール(REEL) : ポリスチレン(PS)<リサイクル材を含む>  
POLYSTYREN(PS) <RECYCLE MATERIAL CONTAINED>

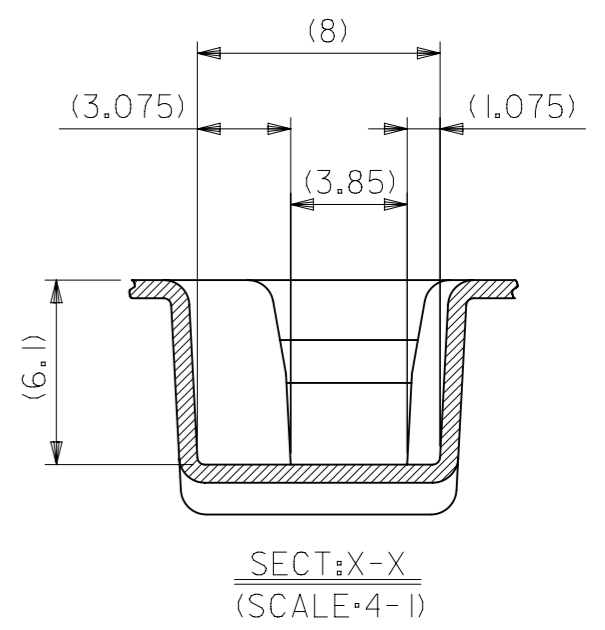
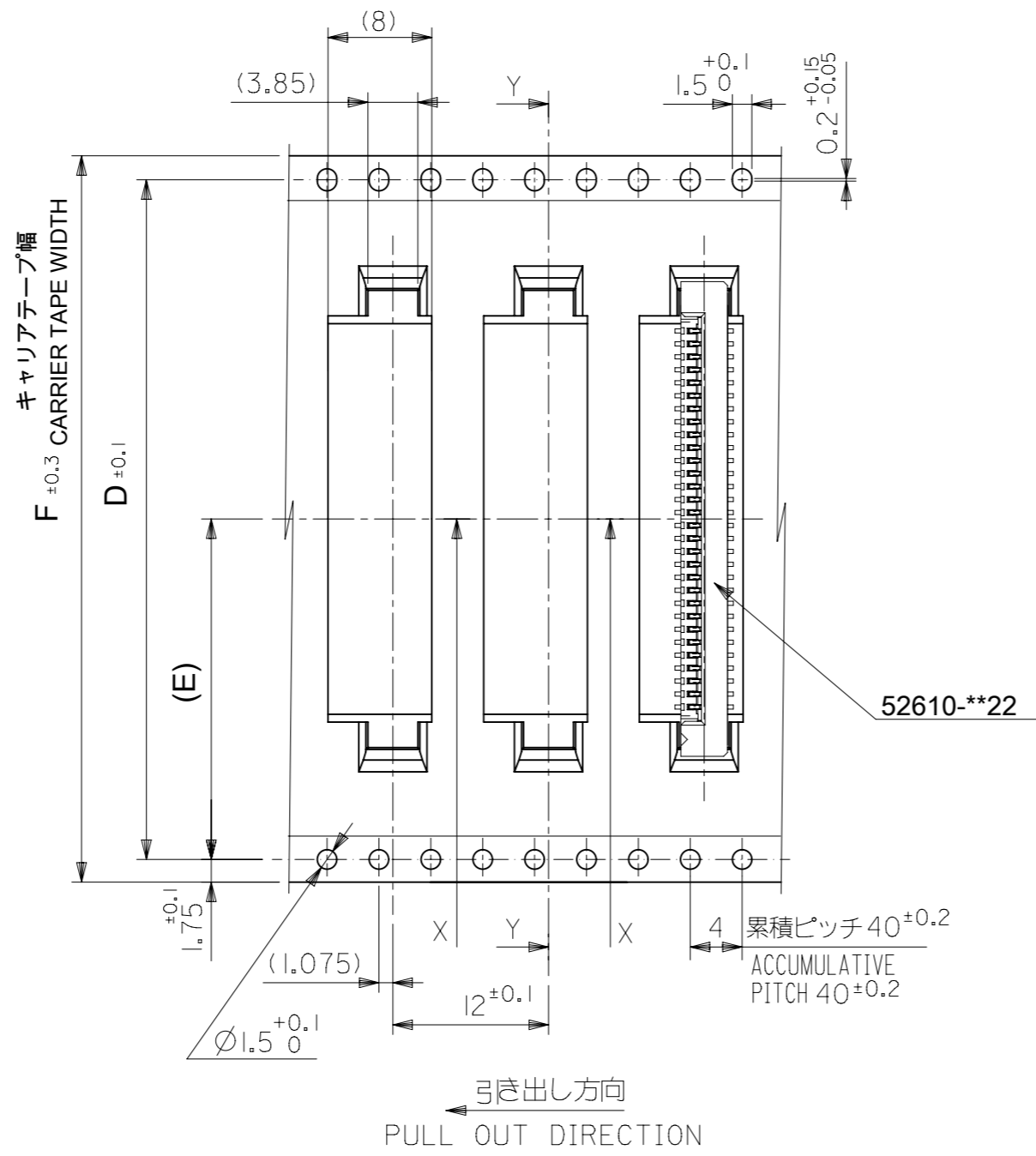
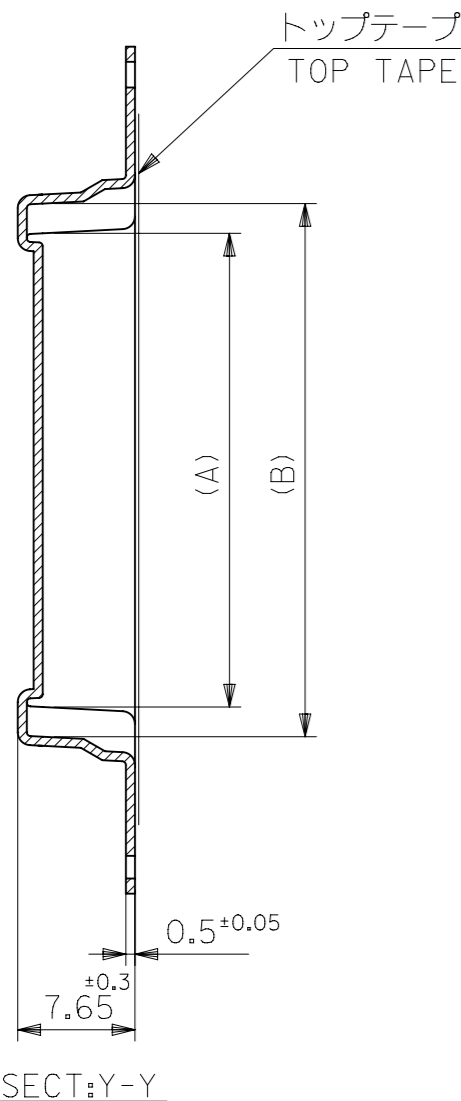
THIS DRAWING CONTAINS INFORMATION THAT IS PROPRIETARY TO MOLEX ELECTRONIC TECHNOLOGIES, LLC AND SHOULD NOT BE USED WITHOUT WRITTEN PERMISSION									
DIMENSION UNITS		SCALE		CURRENT REV DESC: MIGRATED TO NX				<b>molex</b>	
mm		NTS							
GENERAL TOLERANCES (UNLESS SPECIFIED)									
		MM		INCH					
4 PLACES		±		±		EC NO: 626177			
3 PLACES		±		±		DRWN: RPRABHUM 2019/10/03			
2 PLACES		±		±		CHK'D: GGA 2019/10/30			
1 PLACE		±		±		APPR: GGA 2019/10/30			
0 PLACES		±		±		INITIAL REVISION:			
ANGULAR TOL		±		°		DRWN: NASANUMA 2012/09/05			
						APPR: KMORIKAWA 2013/03/15			
DRAFT WHERE APPLICABLE MUST REMAIN WITHIN DIMENSIONS				THIRD ANGLE PROJECTION		DRAWING		SERIES	
				A3-SIZE		52610		MATERIAL NUMBER	
				SEE CHART		GENERAL		CUSTOMER	
								SHEET NUMBER	
								1 OF 3	



24	11.5	25.5	15.25	11.32	52610-1033	10
			14.25	10.32	52610-0933	9
			13.25	9.32	52610-0833	8
			12.25	8.32	52610-0733	7
			11.25	7.32	52610-0633	6
			10.25	6.32	52610-0533	5
F	(E)	C	(B)	(A)	ENG. NO.	極数 CKT.

THIS DRAWING CONTAINS INFORMATION THAT IS PROPRIETARY TO MOLEX ELECTRONIC TECHNOLOGIES, LLC AND SHOULD NOT BE USED WITHOUT WRITTEN PERMISSION

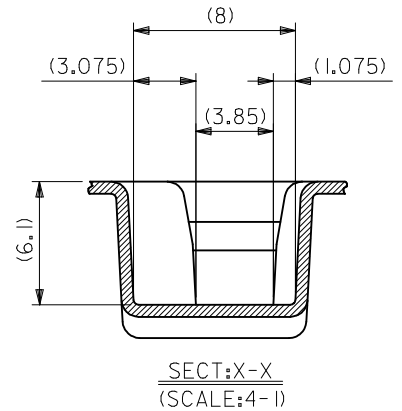
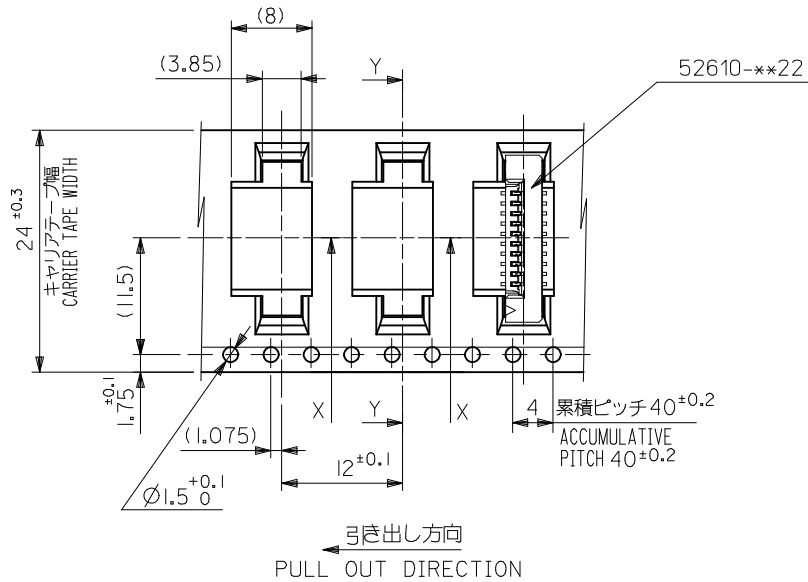
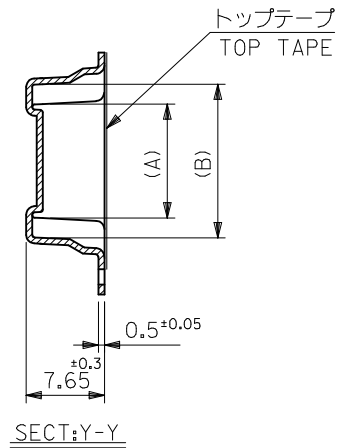
DIMENSION UNITS	SCALE	CURRENT REV DESC: MIGRATED TO NX			
mm	NTS				
GENERAL TOLERANCES (UNLESS SPECIFIED)					
	MM	INCH	EC NO: 626177 DRWN: RPRABHUM 2019/10/03 CHK'D: GGA 2019/10/30 APPR: GGA 2019/10/30		
4 PLACES	±	±	INITIAL REVISION: DRWN: NASANUMA 2012/09/05 APPR: KMORIKAWA 2013/03/15		
3 PLACES	±	±	DOCUMENT NUMBER <b>SD-52610-049</b>		
2 PLACES	±	±	DOC TYPE	DOC PART	REVISION
1 PLACE	±	±	PSD	001	A1
0 PLACES	±	±	PRODUCT CUSTOMER DRAWING		
ANGULAR TOL	±	°	MATERIAL NUMBER	CUSTOMER	SHEET NUMBER
			SEE CHART	GENERAL	2 OF 3
DRAFT WHERE APPLICABLE MUST REMAIN WITHIN DIMENSIONS		THIRD ANGLE PROJECTION	DRAWING	SERIES	
			A3-SIZE	52610	



56	26.2	52.4	57.5	35.25	31.32	52610-3033	30
				33.25	29.32	52610-2833	28
44	20.2	40.4	46.5	31.25	27.32	52610-2633	26
				30.25	26.32	52610-2533	25
				29.25	25.32	52610-2433	24
				28.25	24.32	52610-2333	23
				27.25	23.32	52610-2233	22
				26.25	22.32	52610-2133	21
				25.25	21.32	52610-2033	20
				24.25	20.32	52610-1933	19
32	14.2	28.4	33.5	23.25	19.32	52610-1833	18
				22.25	18.32	52610-1733	17
				21.25	17.32	52610-1633	16
				20.25	16.32	52610-1533	15
F	(E)	D	C	19.25	15.32	52610-1433	14
				18.25	14.32	52610-1333	13
				17.25	13.32	52610-1233	12
				16.25	12.32	52610-1133	11
F	(E)	D	C	(B)	(A)	ENG. NO.	極数 CKT.

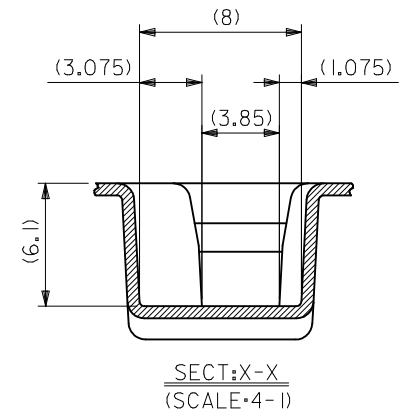
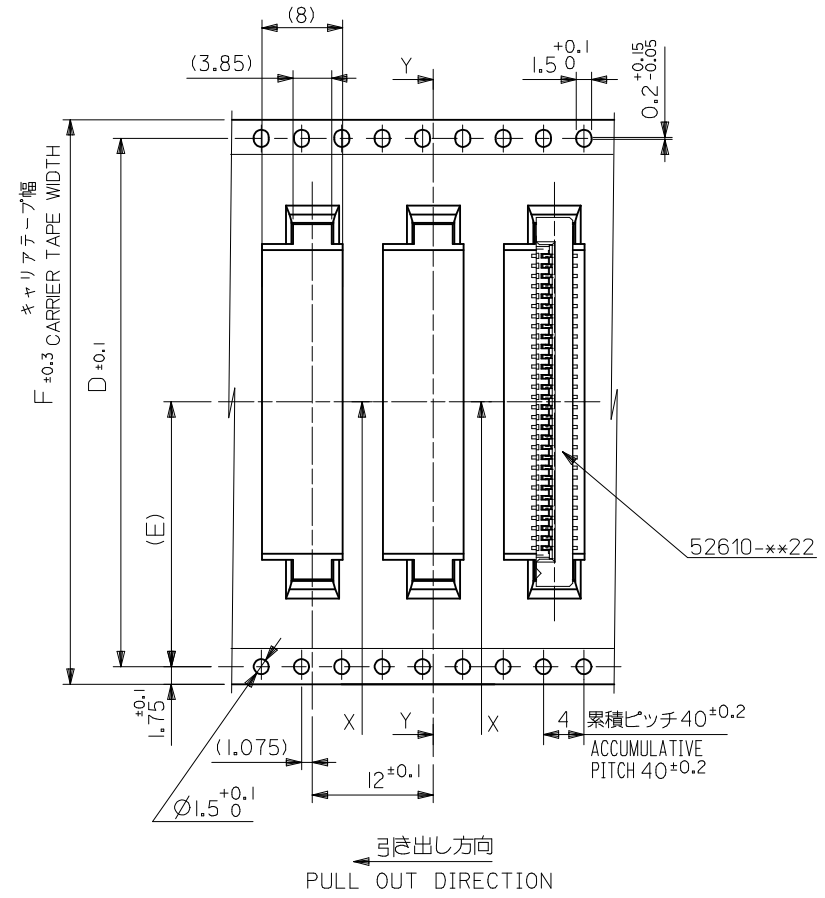
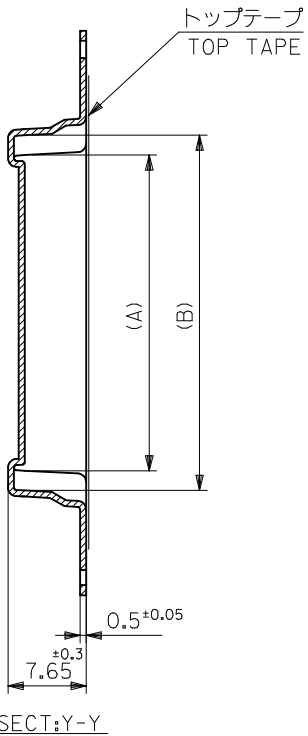
THIS DRAWING CONTAINS INFORMATION THAT IS PROPRIETARY TO MOLEX ELECTRONIC TECHNOLOGIES, LLC AND SHOULD NOT BE USED WITHOUT WRITTEN PERMISSION

DIMENSION UNITS		SCALE		CURRENT REV DESC: MIGRATED TO NX				<b>molex</b>									
mm		NTS															
GENERAL TOLERANCES (UNLESS SPECIFIED)								EMBOSS TAPE PACKAGED FOR 1.0 FPC CONN ZIF S/T HOUSING ASSY									
								PRODUCT CUSTOMER DRAWING									
4 PLACES ± ±								EC NO: 626177		DOCUMENT NUMBER		DOC TYPE		DOC PART		REVISION	
3 PLACES ± ±								DRWN: RPRABHUM 2019/10/03		SD-52610-049		PSD		001		A1	
2 PLACES ± ±								CHK'D: GGA 2019/10/30									
1 PLACE ± ±								APPR: GGA 2019/10/30		INITIAL REVISION:							
0 PLACES ± ±										DRWN: NASANUMA 2012/09/05							
ANGULAR TOL ± °								APPR: KMORIKAWA 2013/03/15									
DRAFT WHERE APPLICABLE MUST REMAIN WITHIN DIMENSIONS				THIRD ANGLE PROJECTION		DRAWING		SERIES		MATERIAL NUMBER		CUSTOMER		SHEET NUMBER			
				A3-SIZE		52610		SEE CHART		GENERAL		3 OF 3					



24	11.5	25.5	15.25	11.32	52610-1033	10
			14.25	10.32	52610-0933	9
			13.25	9.32	52610-0833	8
			12.25	8.32	52610-0733	7
			11.25	7.32	52610-0633	6
			10.25	6.32	52610-0533	5
F	(E)	C	(B)	(A)	ENG. NO.	種数 CKT.

SEE SHEET 1 OF 3 EC NO: J2014-0352 DRWN:NASUNUMA 2013/08/26 CHK'D:KATAHASHI 2013/08/27 APPR:YNOGAWA 2013/08/30	GENERAL TOLERANCES (UNLESS SPECIFIED)		DIMENSION STYLE MM ONLY		SCALE ---	DESIGN UNITS METRIC	THIRD ANGLE PROJECTION
	10 UNDER	± ---	DRAWN BY NASUNUMA	DATE 2012/09/05	TITLE EMBOSS TAPE PACKAGED FOR 1.0 FPC CONN ZIF S/T HOUSING ASSY <b>molex</b> DOCUMENT NO. SD-52610-049 SHEET NO. 2 OF 3		
	10 OVER 30 UNDER	± ---	CHECKED BY KTAKAHASHI	DATE 2012/09/05			
	30 OVER	± ---	APPROVED BY KMORIKAWA	DATE 2013/03/15			
ANGULAR	± --- °	MATERIAL NO.	SEE CHART				
DRAFT WHERE APPLICABLE MUST REMAIN WITHIN DIMENSIONS		THIS DRAWING CONTAINS INFORMATION THAT IS PROPRIETARY TO MOLEX INCORPORATED AND SHOULD NOT BE USED WITHOUT WRITTEN PERMISSION					



56	26.2	52.4	57.5	35.25	31.32	52610-3033	30
				33.25	29.32	52610-2833	28
44	20.2	40.4	46.5	31.25	27.32	52610-2633	26
				30.25	26.32	52610-2533	25
				29.25	25.32	52610-2433	24
				28.25	24.32	52610-2333	23
				27.25	23.32	52610-2233	22
				26.25	22.32	52610-2133	21
				25.25	21.32	52610-2033	20
				24.25	20.32	52610-1933	19
32	14.2	28.4	33.5	23.25	19.32	52610-1833	18
				22.25	18.32	52610-1733	17
				21.25	17.32	52610-1633	16
				20.25	16.32	52610-1533	15
				19.25	15.32	52610-1433	14
				18.25	14.32	52610-1333	13
				17.25	13.32	52610-1233	12
				16.25	12.32	52610-1133	11
F	(E)	D	C	(B)	(A)	ENG. NO.	極数 CKT.

SEE SHEET 1 OF 3 EC NO: J2014-0352 DRWN:NASUNUMA 2013/08/26 CHKD:KTAKAHASHI 2013/08/27 APPR:YNOGAWA 2013/08/30	GENERAL TOLERANCES (UNLESS SPECIFIED)		DIMENSION STYLE MM ONLY		SCALE ---	DESIGN UNITS METRIC	THIRD ANGLE PROJECTION
	10 UNDER	±---	DRAWN BY NASUNUMA	DATE 2012/09/05	TITLE EMBOSSSED TAPE PACKAGED FOR 1.0 FPC CONN ZIF S/T HOUSING ASSY <b>molex</b> DOCUMENT NO. SD-52610-049 SHEET NO. 3 OF 3		
	10 OVER 30 UNDER	±---	CHECKED BY KTAKAHASHI	DATE 2012/09/05			
	30 OVER	±---	APPROVED BY KMORIKAWA	DATE 2013/03/15			
ANGULAR	±---°	MATERIAL NO.	SEE CHART				
A	DRAFT WHERE APPLICABLE MUST REMAIN WITHIN DIMENSIONS		THIS DRAWING CONTAINS INFORMATION THAT IS PROPRIETARY TO MOLEX INCORPORATED AND SHOULD NOT BE USED WITHOUT WRITTEN PERMISSION				