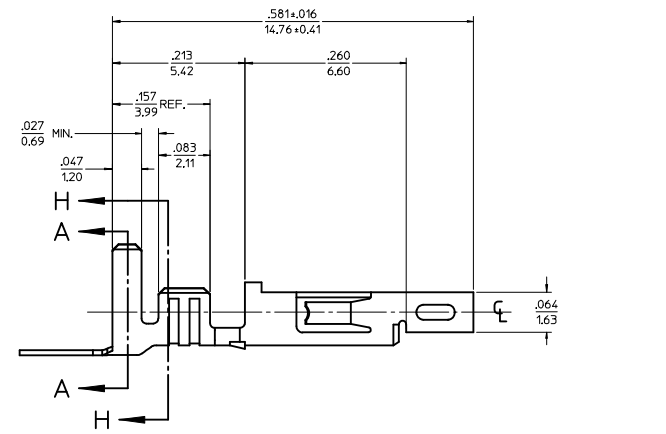
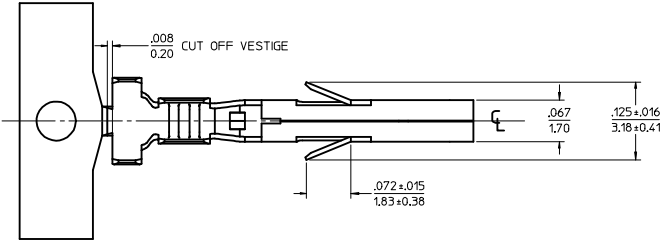
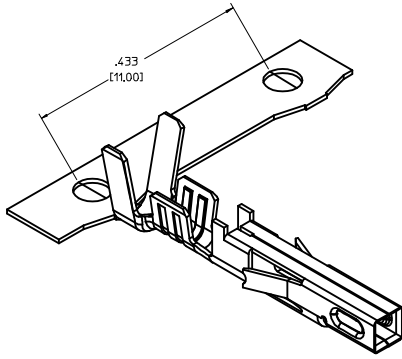


ITEM NO.	FORM	WIRE GAGE	DIM 'B'	DIM 'C'	DIM 'D'	DIM 'E'	DIM 'F'	DIM 'G'	PLATING: SEE NOTE 2
45750111	CHAIN	18-20	.142±.012 (3.60±0.30)	.177±.016 (4.50±0.40)	.035 (0.90)	.075±.012 (1.90±0.30)	.091±.016 (2.30±0.40)	.020 (0.50)	1 TIN OVER NICKEL
45750112	LOOSE								
45750311	CHAIN	16	.142±.012 (3.60±0.30)	.177±.016 (4.50±0.40)	.035 (0.90)	.091±.012 (2.30±0.30)	.106±.016 (2.70±0.40)	.024 (0.60)	2 SELECT GOLD OVER NICKEL
45750312	LOOSE								
45750121	CHAIN	18-20	.142±.012 (3.60±0.30)	.177±.016 (4.50±0.40)	.035 (0.90)	.075±.012 (1.90±0.30)	.091±.016 (2.30±0.40)	.020 (0.50)	2 SELECT GOLD OVER NICKEL
45750122	LOOSE								
45750321	CHAIN	16	.142±.012 (3.60±0.30)	.177±.016 (4.50±0.40)	.035 (0.90)	.091±.012 (2.30±0.30)	.106±.016 (2.70±0.40)	.024 (0.60)	
45750322	LOOSE								

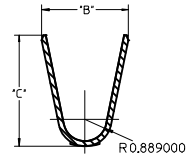
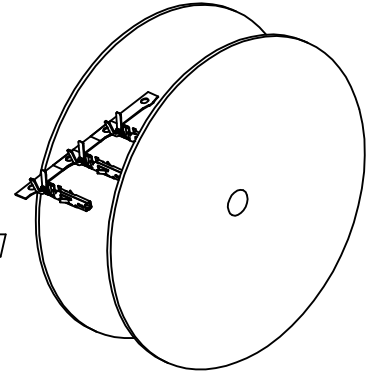
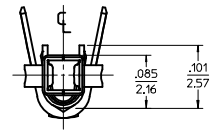
NOTES:

- MATERIAL: COPPER ALLOY .0080/(0.203) THICK
- FINISH:
  - .000100/(0.00254) MIN, BRIGHT TIN OVER .000050/(0.00127) MIN NICKEL OVERALL.
  - .000030/(0.00076) MIN, SELECT GOLD IN CONTACT AREA AND .000100/(0.00254) MIN, SELECT MATTE TIN IN CRIMP AREA OVER .000050/(0.00127) MIN, NICKEL OVERALL.
 GOLD PLATING RECOMMENDED FOR APPLICATIONS WHERE FRETTING CORROSION IS A CONCERN.
- PRODUCT SPECIFICATION: PS-45750-001
- PACKAGING SPECIFICATION : PK-45750-001 FOR CHAIN TERMINALS  
PK-5556-003 FOR LOOSE TERMINALS
- TERMINAL FOR USE WITH 5557, 42474, 44516, 43760, AND 30067 SERIES HOUSINGS.
- WHEN TERMINALS ARE INSTALLED IN THE HOUSING, THE WIRES ARE TO BE DRESSED IN SUCH A MANNER TO ALLOW THE TERMINALS TO FLOAT FREELY IN THE POCKET.
- THIS TERMINAL IS DESIGNED FOR SINGLE WIRE CRIMPING.

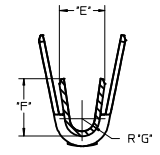


LEGEND

45750 \* \* 1 \* \*  
 BASE NUMBER: 1 = CHAIN, 2 = LOOSE  
 WIRE GAGE: 1 = 18-20, 3 = 16  
 PLATING (SEE NOTE 2): 1 = TIN OVER NICKEL, 2 = SELECT GOLD



SECTION A-A

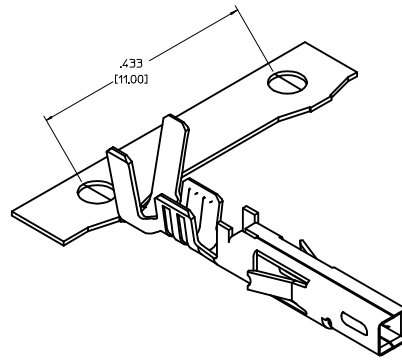


SECTION H-H

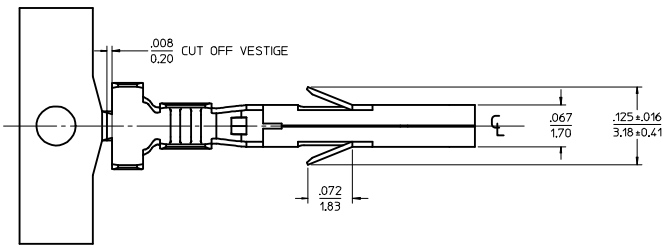
RoHS COMPLIANT

UPDATE .050 DIM EEC NO: UCP2014-4406 DRAWN BY: CHYD:IBELL CHECKED BY: APPROVES: MTH DATE: 2014/04/25 DATE: 2015/07/17	QUALITY SYMBOLS ∇=0 ∇=0 ∇=0	GENERAL TOLERANCES (UNLESS SPECIFIED): mm INCH	DIMENSION STYLE IN/MM	SCALE 10:1	DESIGN UNITS INCH	THIRD ANGLE PROJECTION
		4 PLACES ±.010 ±.010 3 PLACES ±.025 ±.010 2 PLACES ±0.25 ±.014 1 PLACE ±0.36 ±.010 0 PLACE ±.010 ±.010	DRAWN BY: SML DATE: 2004/01/30 CHECKED BY: MMD DATE: 2004/01/30 APPROVED BY: AP DATE: 2004/02/05	MATERIAL NO. SEE CHART DOCUMENT NO. SD-45750-001	SHEET NO. 1 OF 1	

ITEM NO.	FORM	WIRE GAGE	DIM. "B"	DIM. "C"	DIM. "D"	DIM. "E"	DIM. "F"	DIM. "G"
460182541	CHAIN	22-24	.09±.012 (2.30±0.30)	.09±.016 (2.30±0.40)	.024 (0.60)	.07±.012 (1.80±0.30)	.065±.016 (1.65±0.40)	.016 (0.40)
460181541	CHAIN	18-20	.142±.012 (3.60±0.30)	.177±.016 (4.50±0.40)	.035 (0.90)	.075±.012 (1.90±0.30)	.09±.016 (2.30±0.40)	.020 (0.50)
460183541	CHAIN	16	.142±.012 (3.60±0.30)	.177±.016 (4.50±0.40)	.035 (0.90)	.09±.012 (2.30±0.30)	.106±.016 (2.70±0.40)	.024 (0.60)



- NOTES:
- MATERIAL: COPPER ALLOY .0080/(0.203) THICK
  - FINISH:
    - .000030/.00076 MIN. SELECT GOLD IN CONTACT AREA AND .000100/.00254 MIN. SELECT MATTE TIN IN CRIMP AREA OVER .000050/.00127 MIN. NICKEL OVERALL.
 PROPRIETARY MOLEX ADVANCED CONTACT SURFACE FINISH (CSF) IN CONTACT AREA.
  - PRODUCT SPECIFICATION: PS-46018-004
  - PACKAGING INFORMATION: PK-46018-001 FOR CHAIN TERMINALS
  - MATES WITH: MALE TERMINAL SERIES 46012 AND HEADERS 46011, 44068, 42404, 43810, 46014, 5569, 46015, 30070.
  - TERMINAL FOR USE WITH 5557, 42474, 44516, 43760, AND 30067 SERIES HOUSINGS.
  - WHEN TERMINALS ARE INSTALLED IN THE HOUSING, THE WIRES ARE TO BE DRESSED IN SUCH A MANNER TO ALLOW THE TERMINALS TO FLOAT FREELY IN THE POCKET.
  - THIS TERMINAL IS DESIGNED FOR SINGLE WIRE CRIMPING.
  - THIS PART CONFORMS TO CLASS B REQUIREMENTS OF COSMETIC SPEC PS-45499-002.



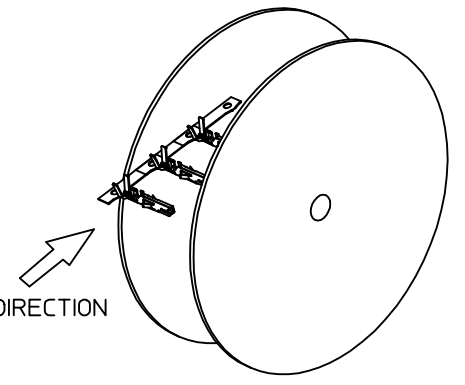
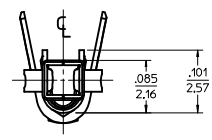
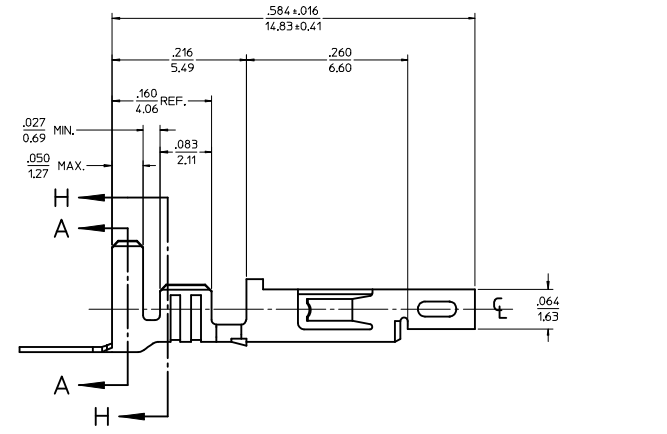
### LEGEND

46018\*54\*

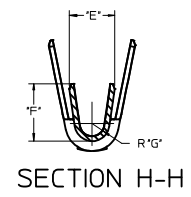
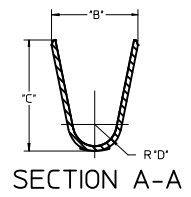
BASE NUMBER

WIRE GAGE  
1 = 18-20  
2 = 22-24  
3 = 16

FORM  
1 = CHAIN



RoHS COMPLIANT



CHANGE TITLE	REV	DESCRIPTION	QUALITY SYMBOLS	GENERAL TOLERANCES (UNLESS SPECIFIED)		DIMENSION STYLE		SCALE	DESIGN UNITS	THIRD ANGLE PROJECTION	TITLE	SHEET NO.	
				mm	INCH	IN/MM	DATE						DATE
LEC NO: UCP2013-5276			▽=0	4 PLACES	±---	±---	DRAWN BY	10:1	INCH	☉	FEMALE CRIMP TERMINAL		
DRWN: BANDERSON			▽=0	3 PLACES	±---	±.010	TGREGORI				MINI-FIT PLUS		
CHKD: BELL			▽=0	2 PLACES	±0.25	±.014	JCOMERCI				HIGH MATING CYCLE(46018)		
APPR: SMITH			▽=0	1 PLACE	±0.36	±---	JCOMERCI				<b>molex</b>		
				0 PLACE	±	±	JCOMERCI				SD-46018-001		
MATERIAL NO.				ANGULAR ±1/2°				SCALE		DOCUMENT NO.		SHEET NO.	
DRAWN BY				DRAFT WHERE APPLICABLE				SEE CHART		SD-46018-001		1 OF 1	
CHECKED BY				MUST REMAIN WITHIN DIMENSIONS				SIZE		THIS DRAWING CONTAINS INFORMATION THAT IS PROPRIETARY TO MOLEX INCORPORATED AND SHOULD NOT BE USED WITHOUT WRITTEN PERMISSION			