

**PLEASE CHECK WWW.MOLEX.COM FOR LATEST PART INFORMATION**

**Part Number:** **5031103000**  
**Status:** **Active**  
**Overview:** Duo-Clasp™ Wire-to-Board System  
**Description:** 1.25mm Pitch Duo-Clasp Wire-to-Board Housing, Dual Row, Positive Lock, 30 Circuits

**Documents:**

<a href="#">3D Model</a>	<a href="#">Application Specification AS-503110-001-001 (PDF)</a>
<a href="#">Drawing (PDF)</a>	<a href="#">Application Specification AS-503110-002-001 (PDF)</a>
<a href="#">Product Specification PS-501931-002-001 (PDF)</a>	<a href="#">Packaging Specification SPK-503110-001-001 (PDF)</a>
<a href="#">Product Specification PS-501931-003-001 (PDF)</a>	<a href="#">RoHS Certificate of Compliance (PDF)</a>

**Agency Certification**

UL E29179

**General**

Product Family	Crimp Housings
Series	503110
Application	Signal, Wire-to-Board
Overview	Duo-Clasp™ Wire-to-Board System
Product Name	Duo-Clasp
UPC	800756934129

**Physical**

Breakaway	No
Circuits (maximum)	30
Color - Resin	White
Gender	Plug
Glow-Wire Compliant	No
Keying to Mating Part	Yes
Lock to Mating Part	Yes
Net Weight	434.000/mg
Number of Rows	2
Packaging Type	Bag
Panel Mount	No
Pitch - Mating Interface	1.25mm
Pitch - Termination Interface	1.25mm
Polarized to Mating Part	Yes
Ports	1
Stackable	No
Temperature Range - Operating	-25°C to +85°C

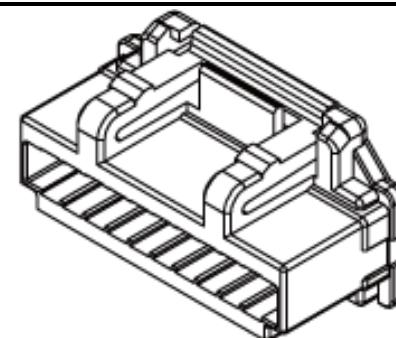
**Electrical**

Current - Maximum per Contact 1.0A

**Material Info**

**Reference - Drawing Numbers**

Application Specification	AS-503110-001-001, AS-503110-002-001
Packaging Specification	SPK-503110-001-001
Product Specification	PS-501931-002-001, PS-501931-003-001
Sales Drawing	SD-503110-001



Series image - Reference only

**EU ELV**

**Not Relevant**

**EU RoHS**

**Compliant**

**REACH SVHC**

Not Contained Per -  
ED/30/2017 (7 July  
2017)

**Halogen-Free**

**Status**

**Not Low-Halogen**

**Need more information on product  
environmental compliance?**

Email [productcompliance@molex.com](mailto:productcompliance@molex.com)  
Please visit the [Contact Us](#) section for any  
non-product compliance questions.

China ROHS

ELV

RoHS Phthalates

Green Image

Not Relevant

Not Contained

**Search Parts in this Series**

[503110](#) Series

**Mates With**

[501931](#) PCB Receptacle . [502046](#) PCB  
Receptacle

**Use With**

[501930](#) Crimp Terminal