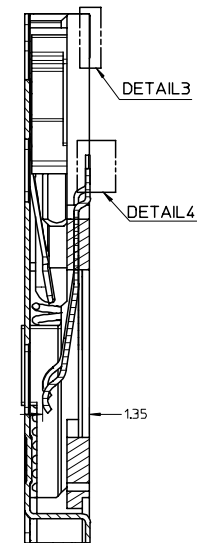
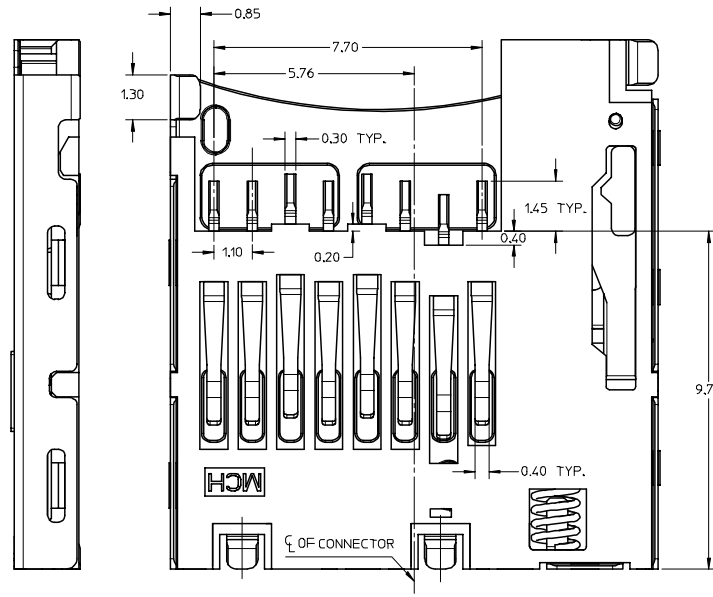
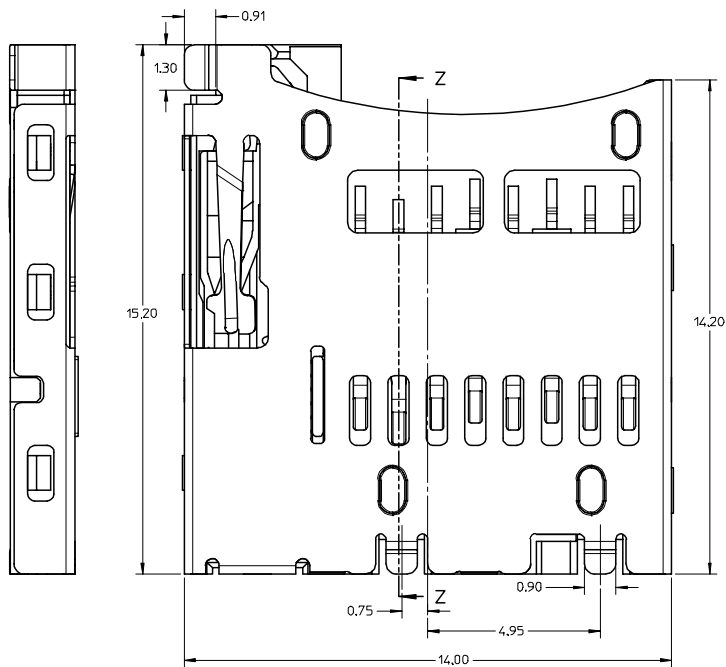
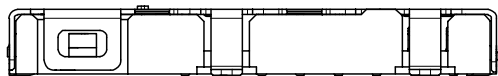


DETAIL 4

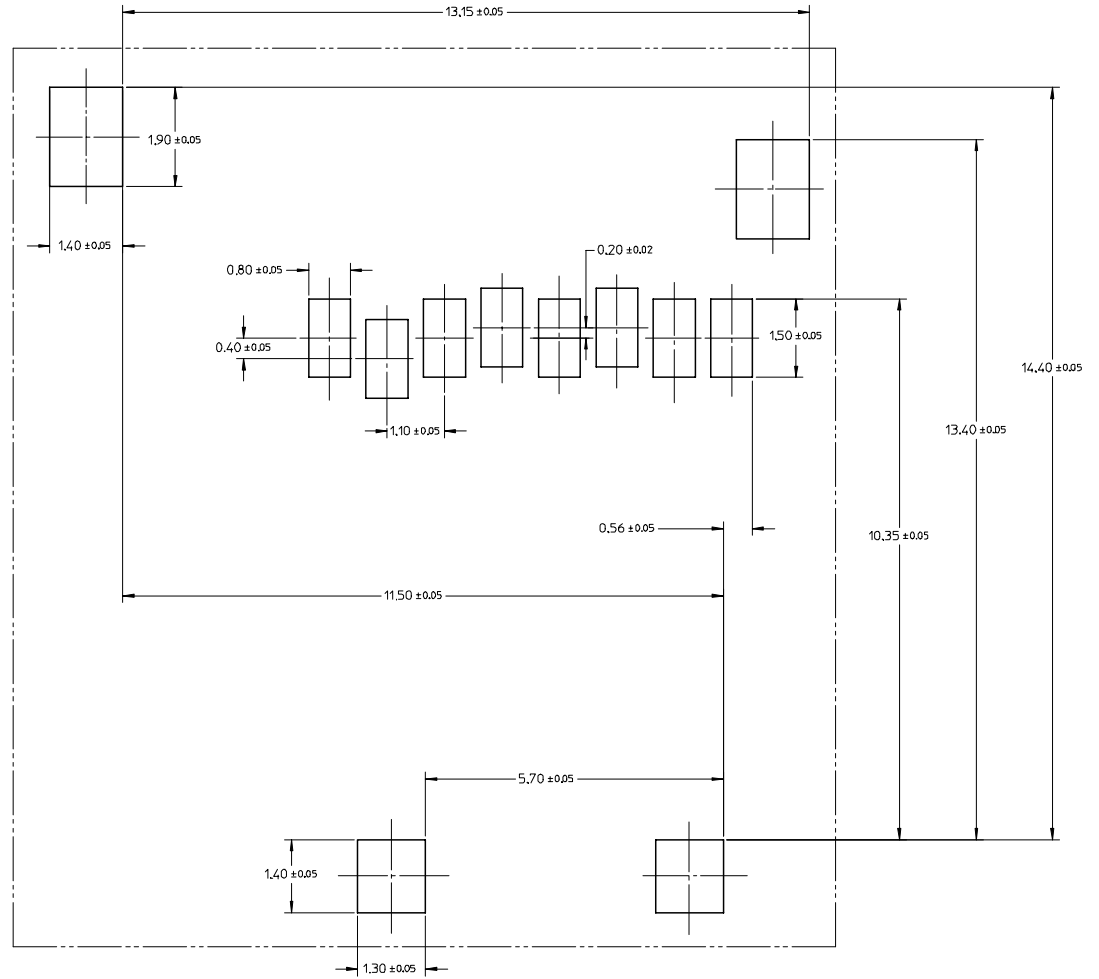
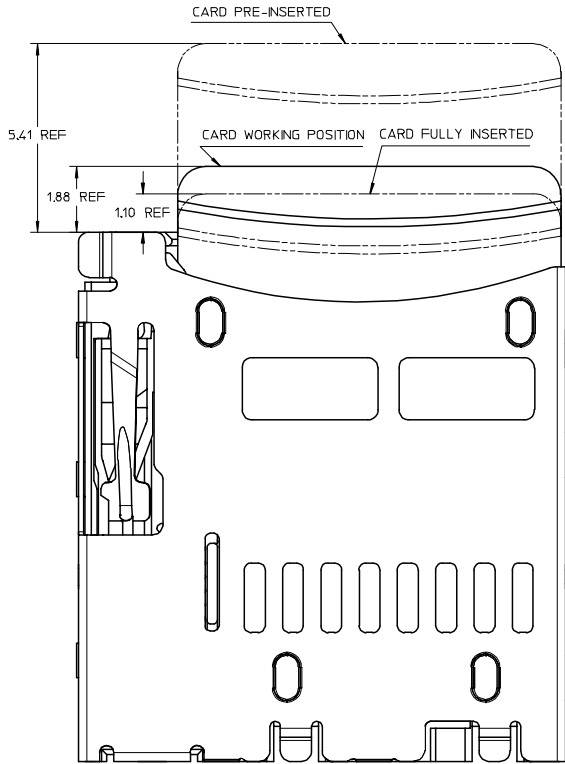
DETAIL 3



SECTION Z-Z



REVISED EEC NO.: SH2007-0499 DRAWN: ZHOU 2007/02/12 CHKD: XU XIANG APPR: JINCHEN 2007/03/16 REV DESCRIPTION	QUALITY SYMBOLS ▽=0 ▽=0		GENERAL TOLERANCES (UNLESS SPECIFIED)		DIMENSION STYLE MM ONLY		SCALE 5:1	DESIGN UNITS METRIC	THIRD ANGLE PROJECTION
	4 PLACES	±	---	±	---	DRAWN BY XIXU	DATE 2006/03/25	TITLE TFR&MICRO SD CARD READER PUSH PUSH TYPE WITHOUT DETECT SWITCH MOLEX INCORPORATED	
	3 PLACES	±	---	±	---	CHECKED BY XIXU	DATE 2006/03/28		
	2 PLACES	±	0.15	±	---	APPROVED BY JNCHEN	DATE 2006/03/29		
1 PLACE	±	---	±	---	MATERIAL NO. 473340001	DOCUMENT NO. SD-47334-001			
DRAFT WHERE APPLICABLE MUST REMAIN WITHIN DIMENSIONS			ANGULAR ±1/2°		SIZE A2	THIS DRAWING CONTAINS INFORMATION THAT IS PROPRIETARY TO MOLEX INCORPORATED AND SHOULD NOT BE USED WITHOUT WRITTEN PERMISSION			

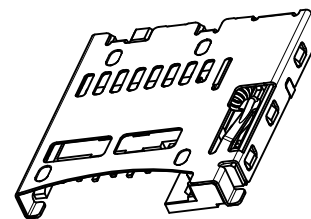
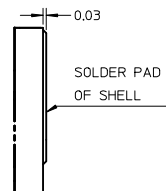
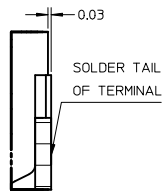
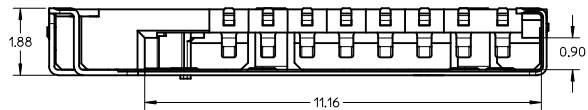


RECOMMENDED PCB LAYOUT

NOTES:

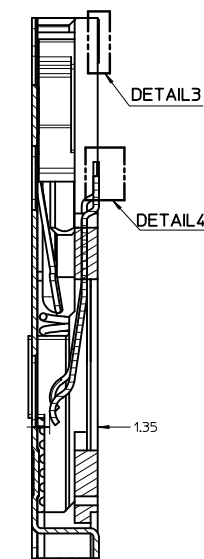
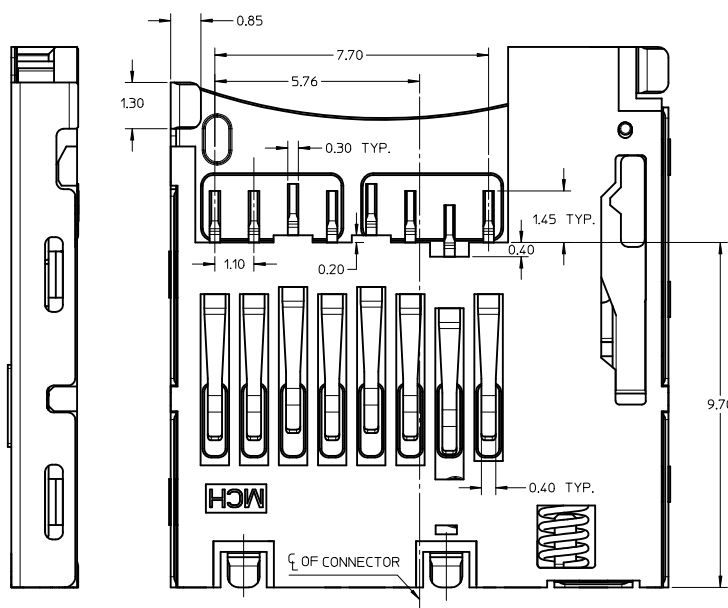
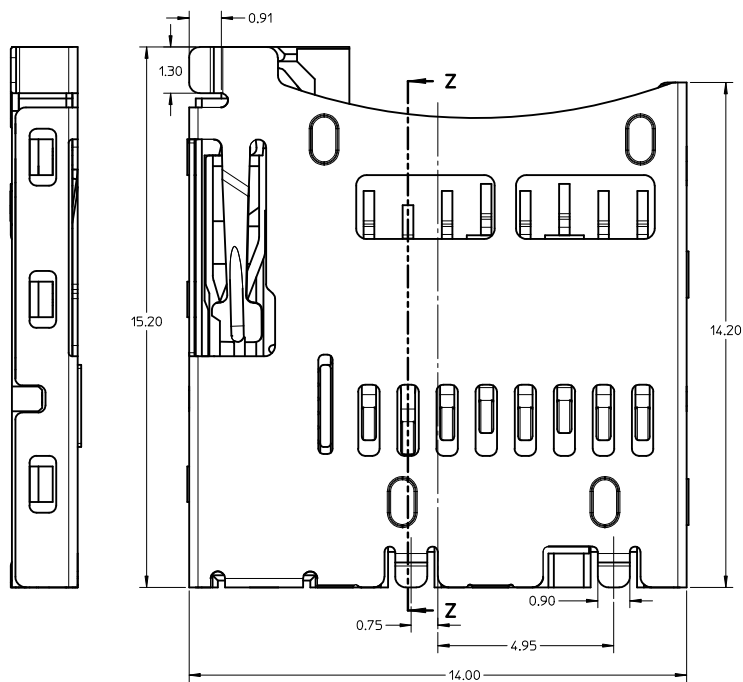
- 1 MATERIAL:
  - 1-1 TERMINAL, FITTING NAIL : COPPER ALLOY
  - 1-2 SHELL, CAM PIN, SPRING : STAINLESS STEEL
  - 1-3 HOUSING, CAM : LCP, UL 94-V0, BLACK
- 2 FINISH:
  - 2-1 TERMINAL : NICKEL UNDERPLATED, GOLD PLATING ON CONTACT AREA  
TIN PLATING ON SOLDER TAIL
  - 2-2 SHELL : GOLD FLASH OVER NICKEL UNDERPLATED ON SOLDER PAD
- 3 MECHANICAL SPECIFICATION:
  - REPEATED 5,000 TIMES MATING AND UNMATING CYCLES AND STILL MEET ELECTRICAL CHARACTERISTICS
- 4 ELECTRICAL SPECIFICATION:
  - 4-1 RATED CURRENT (PER CONTACT) : 0.5AMPS MAX AND TEMPERATURE RISE SHOULD BE 30°C MAX
  - 4-2 INSULATION RESISTANCE(IR) : 100 MEGOHMS MIN.
  - 4-3 DIELECTRIC WITHSTANDING VOLTAGE : 500 VAC
  - 4-4 CONTACT RESISTANCE: 100 MILLIOHMS MAX

REVISED EIC NO. SH2007-0499 DRWN: ZHOU 2007/02/12 CHKD: XU XIANG APPR: JINCHEN 2007/03/16 REV DESCRIPTION	QUALITY SYMBOLS	GENERAL TOLERANCES (UNLESS SPECIFIED)	DIMENSION STYLE	SCALE	DESIGN UNITS	THIRD ANGLE PROJECTION												
	$\nabla=0$ $\nabla=0$	<table border="1"> <tr><th>mm</th><th>INCH</th></tr> <tr><td>4 PLACES ± ---</td><td>± ---</td></tr> <tr><td>3 PLACES ± ---</td><td>± ---</td></tr> <tr><td>2 PLACES ± 0.15</td><td>± ---</td></tr> <tr><td>1 PLACE ± ---</td><td>± ---</td></tr> <tr><td colspan="2">ANGULAR ± 1/2°</td></tr> </table>	mm	INCH	4 PLACES ± ---	± ---	3 PLACES ± ---	± ---	2 PLACES ± 0.15	± ---	1 PLACE ± ---	± ---	ANGULAR ± 1/2°		MM ONLY	10:1	METRIC	
	mm	INCH																
	4 PLACES ± ---	± ---																
3 PLACES ± ---	± ---																	
2 PLACES ± 0.15	± ---																	
1 PLACE ± ---	± ---																	
ANGULAR ± 1/2°																		
					TITLE <b>TFR&amp;MICRO SD CARD READER          PUSH PUSH TYPE          WITHOUT DETECT SWITCH</b>													
					MOLEX INCORPORATED MATERIAL NO. 473340001 DOCUMENT NO. SD-47334-001													
					SHEET NO. 2 OF 2 THIS DRAWING CONTAINS INFORMATION THAT IS PROPRIETARY TO MOLEX INCORPORATED AND SHOULD NOT BE USED WITHOUT WRITTEN PERMISSION													

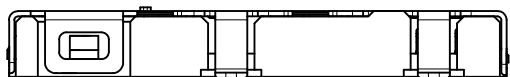


DETAIL 4

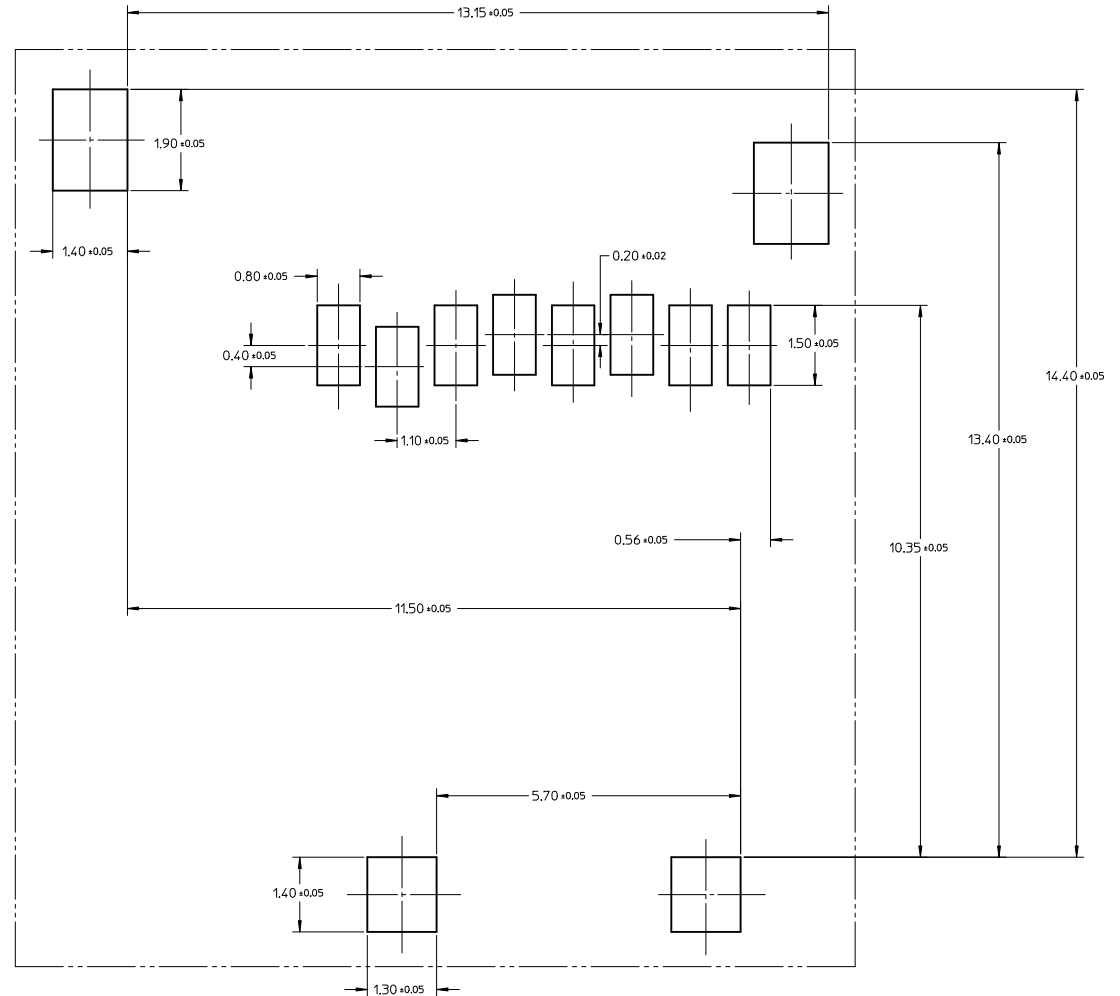
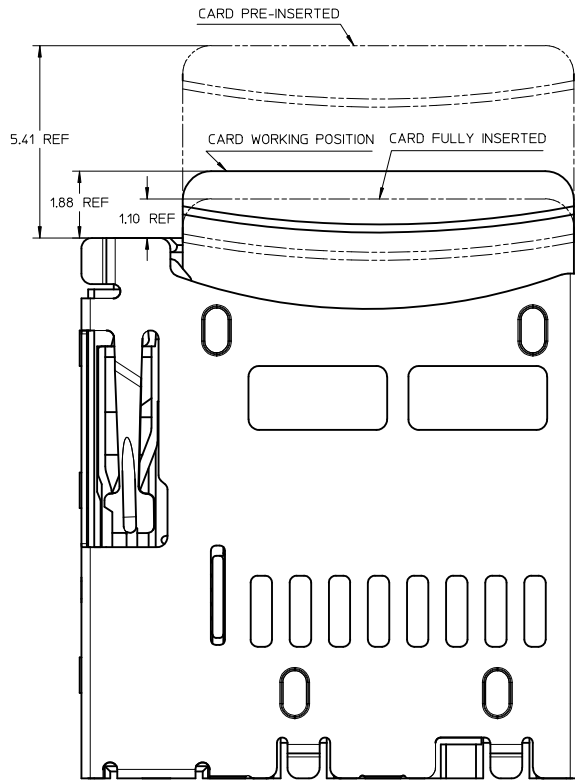
DETAIL 3



SECTION Z-Z



<b>REVISED</b> EC NO: SH2012-0215 DRAWN: GLLI CHKD: APPR: XJSONG 2012/01/05 2012/01/16	DESCRIPTION TFR/MICRO SD CARD READER PUSH PUSH TYPE WITHOUT DETECT PIN	QUALITY SYMBOLS ▽=0 ▽=0 ▽=0		GENERAL TOLERANCES (UNLESS SPECIFIED) <table border="1"> <thead> <tr> <th></th> <th>mm</th> <th>INCH</th> </tr> </thead> <tbody> <tr> <td>4 PLACES</td> <td>± 0.15</td> <td>± 0.006</td> </tr> <tr> <td>3 PLACES</td> <td>± 0.20</td> <td>± 0.008</td> </tr> <tr> <td>2 PLACES</td> <td>± 0.30</td> <td>± 0.012</td> </tr> <tr> <td>1 PLACE</td> <td>± 0.40</td> <td>± 0.016</td> </tr> </tbody> </table> ANGULAR ± 3°			mm	INCH	4 PLACES	± 0.15	± 0.006	3 PLACES	± 0.20	± 0.008	2 PLACES	± 0.30	± 0.012	1 PLACE	± 0.40	± 0.016	DIMENSION STYLE <b>MM ONLY</b>		SCALE <b>5:1</b>		DESIGN UNITS <b>METRIC</b>		THIRD ANGLE PROJECTION	
			mm	INCH																								
4 PLACES	± 0.15	± 0.006																										
3 PLACES	± 0.20	± 0.008																										
2 PLACES	± 0.30	± 0.012																										
1 PLACE	± 0.40	± 0.016																										
DRAFT WHERE APPLICABLE MUST REMAIN WITHIN DIMENSIONS		DRAWN BY GLLI		DATE 2012/01/05		CHECKED BY XJSONG		DATE 2012/01/16		TITLE <b>TFR/MICRO SD CARD READER          PUSH PUSH TYPE          WITHOUT DETECT PIN</b>																		
APPROVED BY XJSONG		DATE 2012/01/16		MATERIAL NO. <b>47334-0001</b>		DOCUMENT NO. <b>SD-47334-001</b>		SHEET NO. <b>1 OF 2</b>		MOLEX INCORPORATED																		
THIS DRAWING CONTAINS INFORMATION THAT IS PROPRIETARY TO MOLEX INCORPORATED AND SHOULD NOT BE USED WITHOUT WRITTEN PERMISSION																												



RECOMMENDED PCB LAYOUT

- NOTES:
- 1 MATERIAL:
    - 1-1 TERMINAL, FITTING NAIL : COPPER ALLOY.
    - 1-2 SHELL, CAM PIN, SPRING : STAINLESS STEEL.
    - 1-3 HOUSING : LCP, UL 94-V0, BLACK.
    - 1-4 CAM: NYLON 46.
  - 2 FINISH:
    - 2-1 TERMINAL : NICKEL UNDERPLATED, GOLD PLATING ON CONTACT AREA  
TIN PLATING ON SOLDER TAIL
    - 2-2 SHELL : GOLD FLASH OVER NICKEL UNDERPLATED ON SOLDER PAD
  - 3 MECHANICAL SPECIFICATION:
    - REPEATED 5,000 TIMES MATING AND UNMATING CYCLES AND STILL MEET ELECTRICAL CHARACTERISTICS
  - 4 ELECTRICAL SPECIFICATION:
    - 4-1 RATED CURRENT (PER CONTACT) : 0.5AMPS MAX AND TEMPERATURE RISE SHOULD BE 30°C MAX
    - 4-2 INSULATION RESISTANCE(I.R) : 100 MEGOHMS MIN.
    - 4-3 DIELECTRIC WITHSTANDING VOLTAGE : 500 VAC
    - 4-4 CONTACT RESISTANCE: 100 MILLIOHMS MAX

REVISED EC NO: SF2012-0215 DRW:GLL CHKD: APPR:XJSONG 2012/01/05 2012/01/16	DESCRIPTION TFR/MICRO SD CARD READER	QUALITY SYMBOLS		GENERAL TOLERANCES (UNLESS SPECIFIED)		DIMENSION STYLE		SCALE	DESIGN UNITS	THIRD ANGLE PROJECTION																								
						MM ONLY		10:1	METRIC																									
		$\nabla=0$ $\nabla=0$ $\nabla=0$		<table border="1"> <thead> <tr> <th></th> <th>mm</th> <th>INCH</th> </tr> </thead> <tbody> <tr> <td>4 PLACES</td> <td>±---</td> <td>±---</td> </tr> <tr> <td>3 PLACES</td> <td>±---</td> <td>±---</td> </tr> <tr> <td>2 PLACES</td> <td>±0.15</td> <td>±---</td> </tr> <tr> <td>1 PLACE</td> <td>±0.30</td> <td>±---</td> </tr> </tbody> </table>			mm	INCH	4 PLACES	±---	±---	3 PLACES	±---	±---	2 PLACES	±0.15	±---	1 PLACE	±0.30	±---	<table border="1"> <thead> <tr> <th>DRAWN BY</th> <th>DATE</th> <th>TITLE</th> </tr> </thead> <tbody> <tr> <td>GLLI</td> <td>2012/01/05</td> <td>TFR/MICRO SD CARD READER PUSH PUSH TYPE WITHOUT DETECT PIN</td> </tr> </tbody> </table>		DRAWN BY	DATE	TITLE	GLLI	2012/01/05	TFR/MICRO SD CARD READER PUSH PUSH TYPE WITHOUT DETECT PIN	<table border="1"> <thead> <tr> <th>CHECKED BY</th> <th>DATE</th> </tr> </thead> <tbody> <tr> <td></td> <td></td> </tr> </tbody> </table>		CHECKED BY	DATE		
			mm	INCH																														
4 PLACES	±---	±---																																
3 PLACES	±---	±---																																
2 PLACES	±0.15	±---																																
1 PLACE	±0.30	±---																																
DRAWN BY	DATE	TITLE																																
GLLI	2012/01/05	TFR/MICRO SD CARD READER PUSH PUSH TYPE WITHOUT DETECT PIN																																
CHECKED BY	DATE																																	
<table border="1"> <thead> <tr> <th>APPROVED BY</th> <th>DATE</th> </tr> </thead> <tbody> <tr> <td>XJSONG</td> <td>2012/01/16</td> </tr> </tbody> </table>		APPROVED BY	DATE	XJSONG	2012/01/16			MOLEX INCORPORATED																										
APPROVED BY	DATE																																	
XJSONG	2012/01/16																																	
DRAFT WHERE APPLICABLE MUST REMAIN WITHIN DIMENSIONS		MATERIAL NO. 47334-0001		DOCUMENT NO. SD-47334-001																														
		SIZE A2		THIS DRAWING CONTAINS INFORMATION THAT IS PROPRIETARY TO MOLEX INCORPORATED AND SHOULD NOT BE USED WITHOUT WRITTEN PERMISSION																														