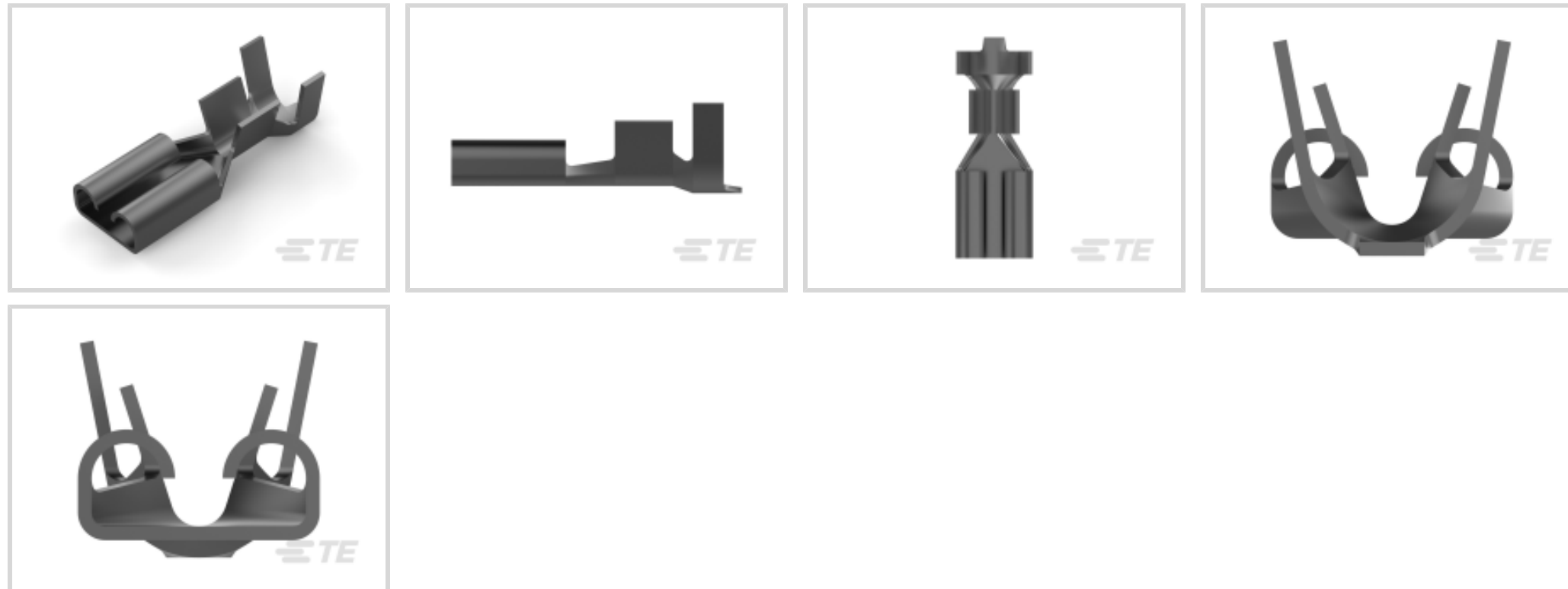




Terminals & Splices > Quick Disconnects



Quick Disconnect Terminal Type: **Receptacle**

Wire Size: 1.03 – 2.62 mm²

Mating Tab Width: 4.75 mm [.187 in]

Mating Tab Thickness: .81 mm [.032 in]

Features

Product Type Features

Terminates To	Wire & Cable
Wire/Cable Type	Regular Wire
Wire Stop	No
Insertion Force	Low
Sealable	No

Configuration Features

Connection Capacity	Single
---------------------	--------

Contact Features

Quick Disconnect Terminal Type	Receptacle
Mating Tab Width	4.75 mm [.187 in]
Mating Tab Thickness	.81 mm [.032 in]
Terminal Orientation	Straight
Contact Base Material	Brass
Terminal Plating Material	Tin
Crimp Type	F-Crimp



Barrel Type	Open
-------------	------

Mechanical Attachment

Mating Retention Type	Dimple
Extraction Force	70 Newton
Wire Insulation Support	With

Dimensions

Accepts Wire Insulation Diameter Range	3 – 4.32 mm [.118 – .17 in]
Receptacle Terminal Stock Thickness	.3 mm [.012 in]
Overall Length	15 mm [.59 in]
Wire Size	1.03 – 2.62 mm ²

Usage Conditions

Insulation Option	Uninsulated
Operating Temperature Range	-40 – 110 °C [-40 – 230 °F]

Industry Standards

CSA Certified	Yes
UL Rating	Listed

Packaging Features

Packaging Quantity	12000
Packaging Method	Strip/Reel

Product Compliance

[For compliance documentation, visit the product page on TE.com>](#)

EU RoHS Directive 2011/65/EU	Compliant
EU ELV Directive 2000/53/EC	Compliant
China RoHS 2 Directive MIIT Order No 32, 2016	No Restricted Materials Above Threshold
EU REACH Regulation (EC) No. 1907/2006	Current ECHA Candidate List: JUNE 2022 (224) Candidate List Declared Against: JAN 2022 (223) SVHC > Threshold: Not Yet Reviewed
Halogen Content	Low Halogen - Br, Cl, F, I < 900 ppm per homogenous material. Also BFR/CFR/PVC Free

Solder Process Capability

Not applicable for solder process capability

Product Compliance Disclaimer

This information is provided based on reasonable inquiry of our suppliers and represents our current actual knowledge based on the information they provided. This information is subject to change. The part numbers that TE has identified as EU RoHS compliant have a maximum concentration of 0.1% by weight in homogenous materials for lead, hexavalent chromium, mercury, PBB, PBDE, DBP, BBP, DEHP, DIBP, and 0.01% for cadmium, or qualify for an exemption to these limits as defined in the Annexes of Directive 2011/65/EU (RoHS2). Finished electrical and electronic equipment products will be CE marked as required by Directive 2011/65/EU. Components may not be CE marked. Additionally, the part numbers that TE has identified as EU ELV compliant have a maximum concentration of 0.1% by weight in homogenous materials for lead, hexavalent chromium, and mercury, and 0.01% for cadmium, or qualify for an exemption to these limits as defined in the Annexes of Directive 2000/53/EC (ELV). Regarding the REACH Regulation, the information TE provides on SVHC in articles for this part number is based on the latest European Chemicals Agency (ECHA) 'Guidance on requirements for substances in articles' posted at this URL: <https://echa.europa.eu/guidance-documents/guidance-on-reach>

Compatible Parts



TE Part # 881624-2
187 FASTON REC 17-14 AWG TPBR



TE Part # 2-2150298-1
OCEAN_2.0_Applicator-E-120F155F



TE Part # 2-2150298-2
OCEAN_2.0_Applicator-E-120F155FA



TE Part # 2150298-1
OCEAN_2.0_Applicator-E-120F155F



TE Part # 2150298-2
OCEAN_2.0_Applicator-E-120F155FA



TE Part # 6-160429-2
187 FASTON REC 17-14 AWG TPBR



TE Part # 7-2150298-1
OCEAN_2.0_Applicator-E-120F155F



TE Part # 7-2150298-2
OCEAN_2.0_Applicator-E-120F155FA



KIT
REPRESENTATION ONLY

TE Part # 7-2150298-7
OCEAN_2.0_SPARE_PART_KIT-120F155F

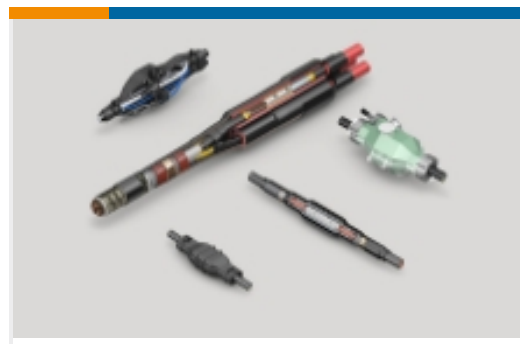
Also in the Series | **FASTON 187**



Crimp Terminal Housings(41)



Insertion & Extraction Tools(1)



Joints & Splices(1)



PCB Terminals(48)

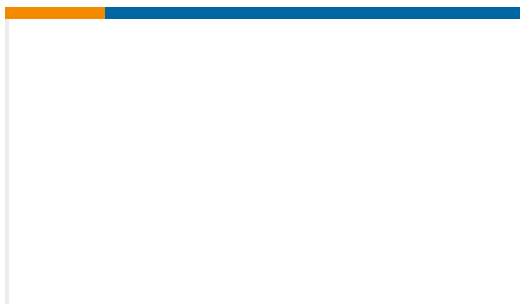


Quick Disconnects(214)



Splices(1)

Customers Also Bought



TE Part #2069250-1
MINI I/O PLUG KIT LOCK EXTEND
VER.



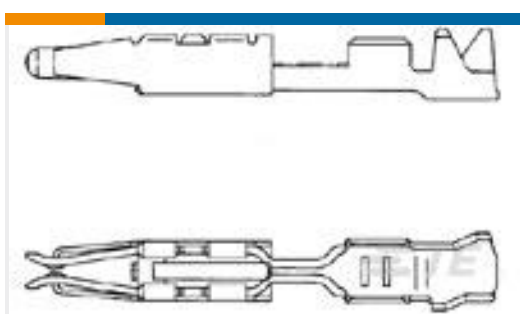
TE Part #183077-1
FREE HANG.17-16STD.SEX SRS 1



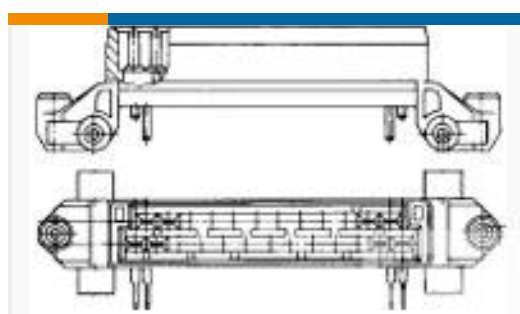
TE Part #326741
TERMINAL,PG SPD 16-14 8



TE Part #5-160431-2
187 FASTON REC 16-14 AWG TPBR



TE Part #929950-1
MT1 REC 1.6 Contact SRC Sn



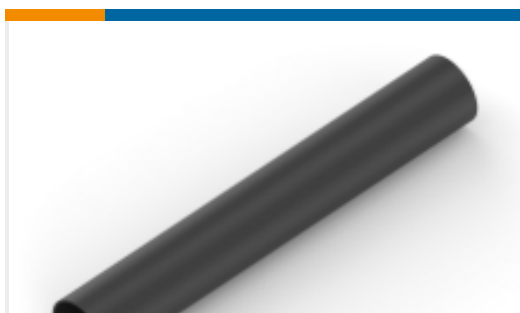
TE Part #827050-1
25 POS TAB HSG



TE Part #2192653002
FLHTC0311-26-9



TE Part #1586892-1
03P UMNL HDR ASSY R/A, GW



TE Part #NB10784001
ATUM-32/8-0-SP



TE Part #0692813001
FLHTC0311-26-0

Documents



Product Drawings

[187 FASTON REC 16-14 AWG TPBR](#)

English

CAD Files

[3D PDF](#)

3D

Customer View Model

[ENG_CVM_CVM_5-160429-2_AJ_c-5-160429-2-aj.2d_dxf.zip](#)

English

Customer View Model

[ENG_CVM_CVM_5-160429-2_AJ_c-5-160429-2-aj.3d_igs.zip](#)

English

Customer View Model

[ENG_CVM_CVM_5-160429-2_AJ_c-5-160429-2-aj.3d_stp.zip](#)

English

By downloading the CAD file I accept and agree to the [Terms and Conditions](#) of use.

Datasheets & Catalog Pages

[1654742_HOUSEHOLD_APPLIANCES_RAST5](#)

English

Product Specifications

[EB**General Application Specification for Open Barrel Terminals](#)

English

[Application Specification](#)

English

Product Environmental Compliance

[MD_5-160429-2_110320152058_dmtec](#)

English

[MD_5-160429-2_110320152058_dmtec](#)

English

Agency Approvals

[UL Report](#)

English