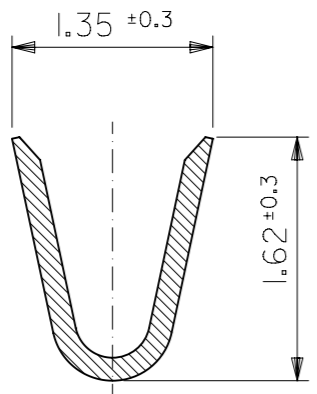
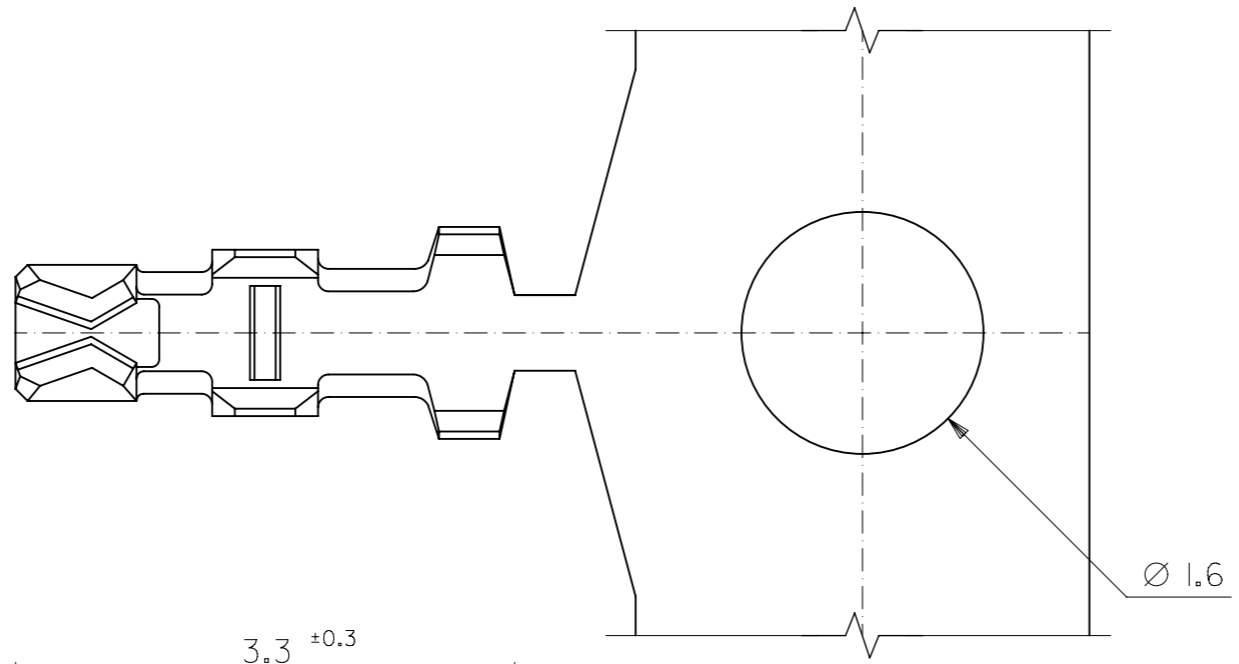


SECT. A-A

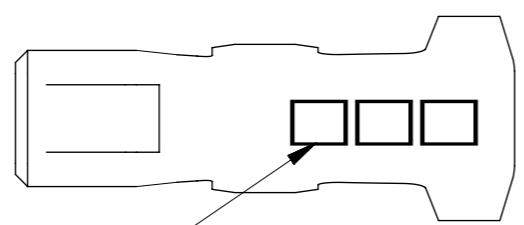
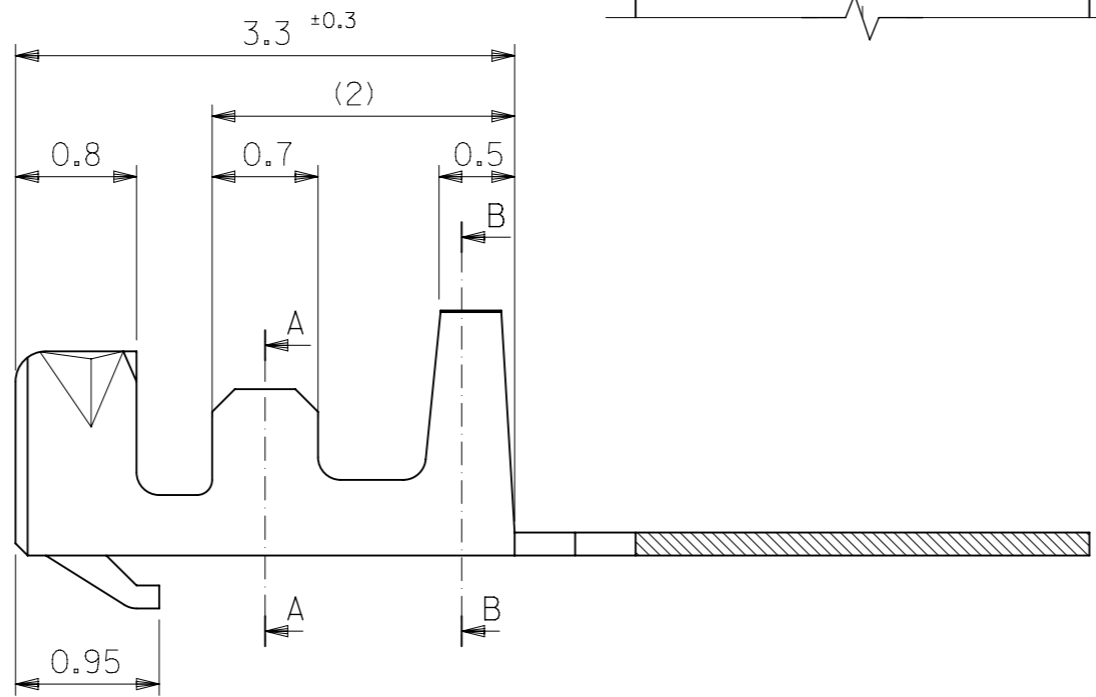
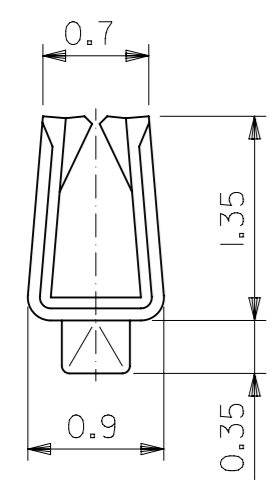


SECT. B-B



NOTE

1. 適合ハウジング : 51021-****
APPLICABLE HOUSING: 51021-****
2. めっき仕様 : 下記表参照
PLATING: SEE CHART
3. 圧着条件については500580000-CSを参照。
PLEASE REFER TO CRIMP SPECIFICATION 500580000-CS.



トレードマーク
TRADE MARK

PRE-PLATED	LOOSE	50079-8100
REFLOW TREATED MATTE TIN: 0.9µm MIN.	CHAIN	50079-8000
PLATING	FORM	ORDER NO.

適用電線範囲 WIRE RANGE AWG:#26-#28	被覆外径 INSULATION RANGE Ø1.04MAX.	THIS DRAWING CONTAINS INFORMATION THAT IS PROPRIETARY TO MOLEX ELECTRONIC TECHNOLOGIES, LLC AND SHOULD NOT BE USED WITHOUT WRITTEN PERMISSION		CURRENT REV DESC:		molex		
材料 MATERIAL りん青銅 PHOSPHOR BRONZE (t=0.15)		DIMENSION UNITS mm	SCALE 20:1	EC NO: 170638 DRWN: SOBARA01 2018/01/09 CHK'D: AIDA 2018/01/18 APPR: TKANEKO 2018/01/18				
		GENERAL TOLERANCES (UNLESS SPECIFIED)		INITIAL REVISION:		PRODUCT CUSTOMER DRAWING		
		ANGULAR TOL ± 3.0°		DRWN: ESUZUKI 2004/11/30 APPR: NUKITA 2004/12/06		DOCUMENT NUMBER SD-50079-001		
		4 PLACES ± 0.2		THIRD ANGLE PROJECTION		DOC TYPE PSD		
		3 PLACES ± 0.2		DRAWING A3-SIZE		DOC PART 001		
		2 PLACES ± 0.2		SERIES 50079		REVISION J		
		1 PLACE ± 0.2		MATERIAL NUMBER SEE CHART		CUSTOMER GENERAL		
		0 PLACES ± 0.2		SHEET NUMBER 1 OF 1				
		DRAFT WHERE APPLICABLE MUST REMAIN WITHIN DIMENSIONS						

10 9 8 7 6 5 4 3 2 1

F

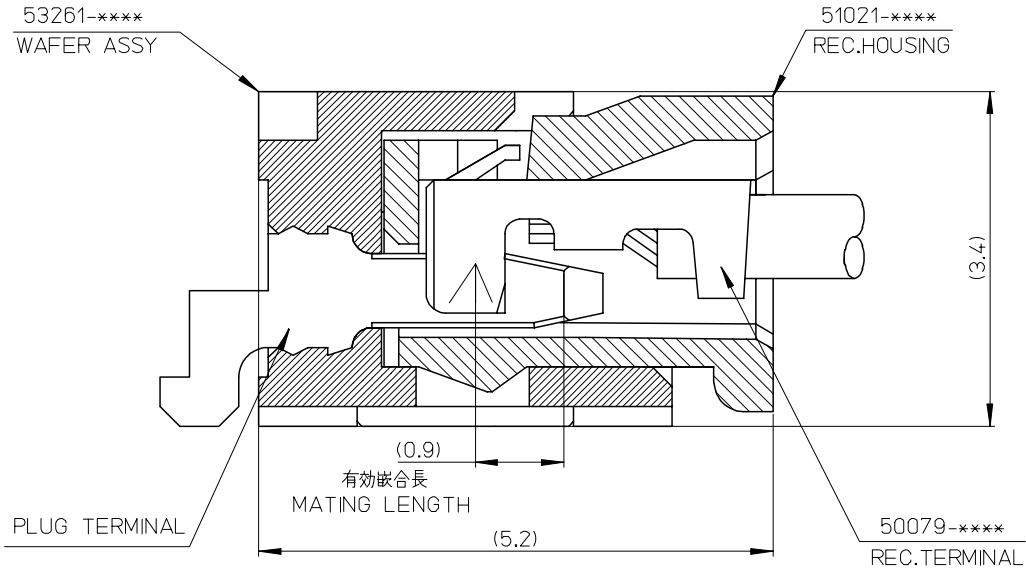
E

D

C

B

A



53261-****	WAFER ASSY	MODEL NO./MATERIAL NO.
50079-****	TERMINAL	
51021-****	HOUSING	

RELEASED EC NO: J2006-2426 DRWN: A0YAGI 2006/02/02 CHKD: YMAEDA 2006/02/03 APPR: NUKITA 2006/02/07	GENERAL TOLERANCES (UNLESS SPECIFIED)		DIMENSION STYLE MM ONLY		SCALE ---	DESIGN UNITS METRIC	THIRD ANGLE PROJECTION	
	10 UNDER	± ---	DRAWN BY Y. A0YAGI	DATE 2006/01/30	TITLE 1.25 W-TO-B CONN. 51021,53261 MATING CROSS SECTION			
	10 OVER 30 UNDER	± ---	CHECKED BY Y. MAEDA	DATE 2006/01/30	MOLEX INCORPORATED			
	30 OVER	± ---	APPROVED BY N. UKITA	DATE 2006/01/30	DOCUMENT NO. SD-51021-002			
	ANGULAR	± --- °	MATERIAL NO. SEE CHART		SHEET NO. 1 OF 1			
0	DRAFT WHERE APPLICABLE MUST REMAIN WITHIN DIMENSIONS		SIZE A3		THIS DRAWING CONTAINS INFORMATION THAT IS PROPRIETARY TO MOLEX INCORPORATED AND SHOULD NOT BE USED WITHOUT WRITTEN PERMISSION			