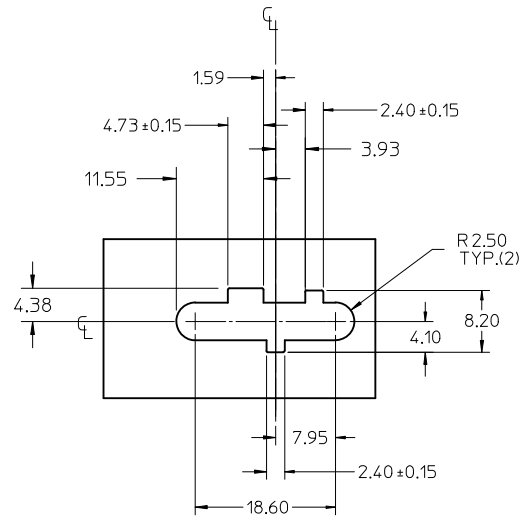


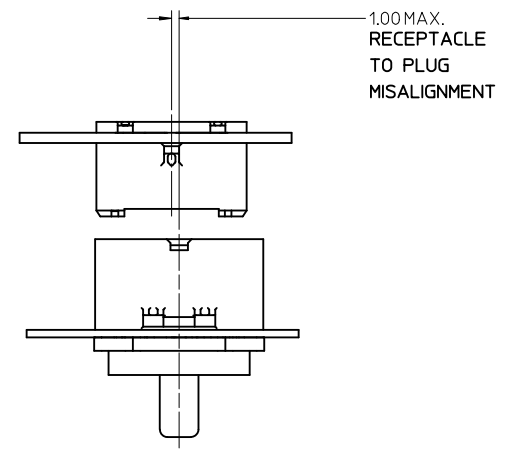
TERMINALS ARE TO BE ORIENTED AND LOADED INTO THE HOUSING AS SHOWN ABOVE

- NOTES:
1. MATERIAL: HALOGEN-FREE PBT. COLOR: BLACK.
  2. PRODUCT SPEC - PS-45579-001.
  3. USES FEMALE CRIMP TERMINALS, SERIES 5263 (NOTE THE ORIENTATION OF TERMINALS).
  4. PART MATES WITH MOLEX HEADER 46781 AND 46831 PLUG.
  5. PACKAGING: 2,500 PCS PER MOLEX SHIPPING CARTON 96707-0007.
  6. SEE PAGE 2 OF 2 FOR PANEL CUTOUT DIMENSIONS AND THE ALLOWED BOARD TO PANEL MISALIGNMENT.
  7. WHEN THIS PRODUCT IS USED IN A BLIND MATING APPLICATION THE SYSTEM LEVEL DESIGN MUST INCORPORATE GUIDANCE SO THE CONNECTORS ARE WITHIN THE CAPTURE ENVELOPE OF THE FLANGES ON THE HEADER OR PLUG HOUSING AND CAN THUS ALIGN THEMSELVES AS THEY COME TOGETHER. FLOAT IS ALSO REQUIRED IN THE OVERALL DESIGN, TO ALLOW THE PCB RECEPTACLE OR IT'S MATE TO MOVE INTO A STRESS-FREE POSITION AFTER MATING.
  8. THIS PART CONFORMS TO CLASS B REQUIREMENTS OF COSMETIC SPEC PS-45499-002
  9. USE TOOL NUMBER 63813-1400 TO REMOVE TERMINAL FROM HOUSING WHEN NECESSARY. CAUTION: TERMINALS MUST NOT BE REUSED AFTER REMOVAL.

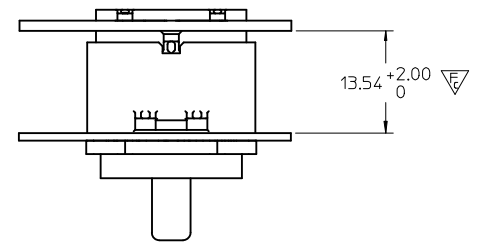
REVISED PANEL CUTOUT DIM EC NO: UCP2010-2098 DRAWN: DROSCA 2010/02/22 CHKD: JCOMERC I 08/15/2008 APPR: JCOMERC I 2010/03/26	QUALITY SYMBOLS ▽ = 0 ▽ = 3 ▽ = 0	GENERAL TOLERANCES (UNLESS SPECIFIED)		DIMENSION STYLE <b>MM ONLY</b>		SCALE 4:1	DESIGN UNITS METRIC	THIRD ANGLE PROJECTION	
		4 PLACES ± --- ± ---	3 PLACES ± --- ± ---	2 PLACES ± 0.13 ± ---	1 PLACE ± 0.25 ± ---	DRAWN BY DROSCA	DATE 08/15/2008	TITLE <b>SPOX BMI 1X7 CIRCUITS RECEPTACLE HOUSING</b>	
B	DESCRIPTION	ANGULAR ±1/2°		APPROVED BY JCOMERC I		DATE 2010/03/15	MATERIAL NO. <b>465280077</b>		
		DRAFT WHERE APPLICABLE MUST REMAIN WITHIN DIMENSIONS		MATERIAL NO. <b>465280077</b>		DATE	DOCUMENT NO. <b>SD-46528-077</b>		
				SIZE C		THIS DRAWING CONTAINS INFORMATION THAT IS PROPRIETARY TO MOLEX INCORPORATED AND SHOULD NOT BE USED WITHOUT WRITTEN PERMISSION			



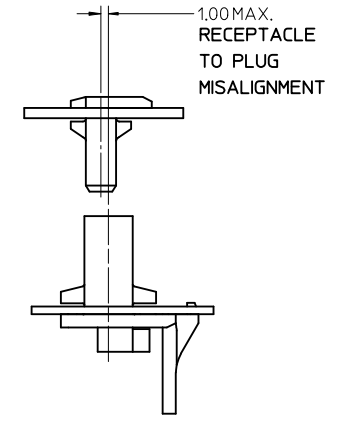
PANEL CUTOUT - WIRE ENTRY VIEW  
PANEL THICKNESS 1.35+/-0.15mm



1.00 MAX.  
RECEPTACLE  
TO PLUG  
MISALIGNMENT



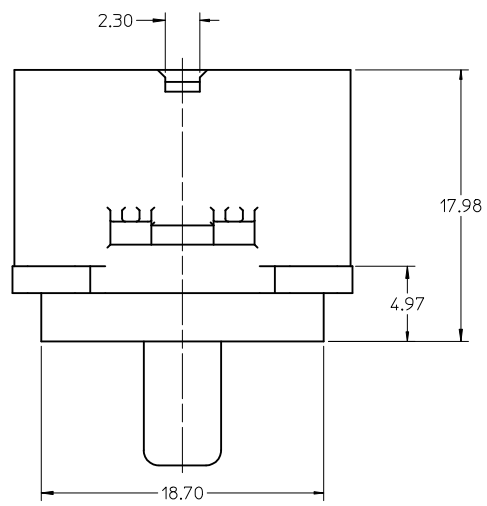
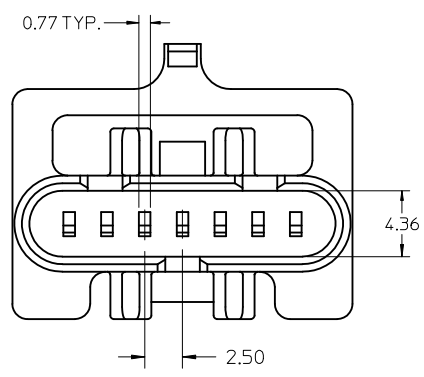
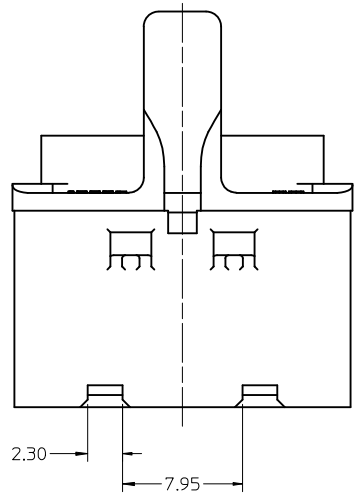
PANEL TO PANEL STACK HEIGHT



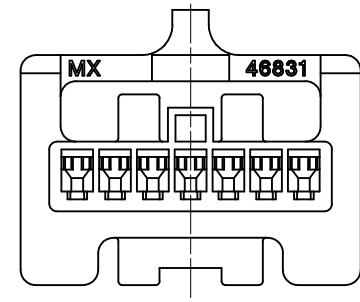
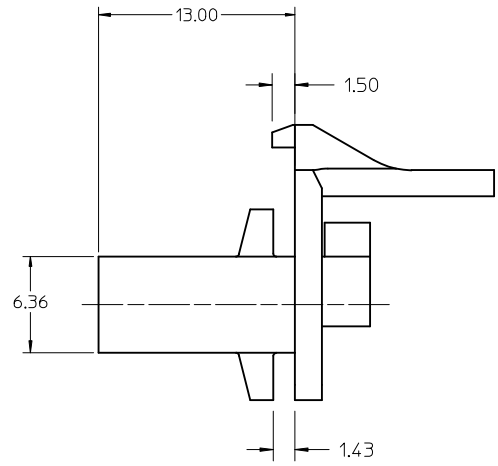
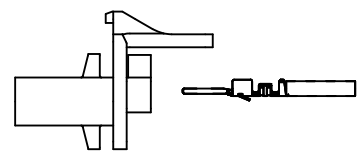
1.00 MAX.  
RECEPTACLE  
TO PLUG  
MISALIGNMENT

NOTES:  
1. CIRCUIT 1 IS THE FIRST-MAKE LAST BREAK CIRCUIT

SEE PAGE 1 EC NO: UCP2010-2098 DRWN:DROSCA 2010/02/22 CHKD:JCOMERC I 08/15/2008 APPR:JCOMERC I 2010/03/26	QUALITY SYMBOLS	GENERAL TOLERANCES (UNLESS SPECIFIED)		DIMENSION STYLE <b>MM ONLY</b>		SCALE <b>2:1</b>	DESIGN UNITS <b>METRIC</b>	THIRD ANGLE PROJECTION	
	▽ = 0	4 PLACES ± ---	± ---	mm	INCH	DRAWN BY DROSCA	DATE 08/15/2008	TITLE <b>SPOX BMI 1X7 CIRCUITS RECEPTACLE HOUSING</b>	
	▽ = 1	3 PLACES ± ---	± ---			CHECKED BY JCOMERC I	DATE 08/15/2008		
	▽ = 0	2 PLACES ± 0.13	± ---			APPROVED BY JCOMERC I	DATE 2010/03/15	MOLEX INCORPORATED DOCUMENT NO. <b>SD-46528-077</b>	
	1 PLACE ± 0.25	± ---			MATERIAL NO.		SHEET NO. 2 OF 2		
		ANGULAR ± 1/2°		DRAFT WHERE APPLICABLE MUST REMAIN WITHIN DIMENSIONS		SEE PAGE 1 THIS DRAWING CONTAINS INFORMATION THAT IS PROPRIETARY TO MOLEX INCORPORATED AND SHOULD NOT BE USED WITHOUT WRITTEN PERMISSION			

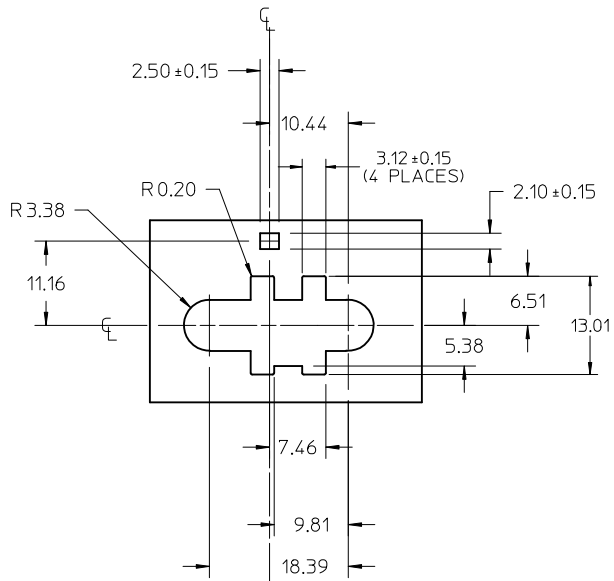


TERMINALS TO BE ORIENTED AND LOADED INTO THE HOUSING AS SHOWN BELOW

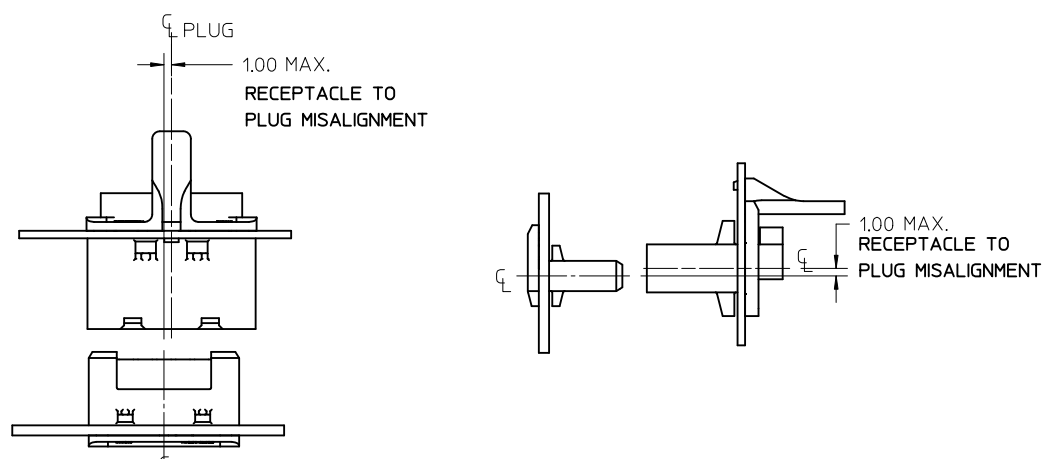


- NOTES:
1. MATERIAL: HALOGEN-FREE PBT. COLOR: BLACK.
  2. PRODUCT CONFORMS TO PRODUCT SPECIFICATION PS-45579-001.
  3. USES MALE CRIMP TERMINALS SERIES 45627.
  4. PART MATES WITH MOLEX RECEPTACLE 46528-0007.
  5. PACKAGING: 2,500 PCS PER MOLEX SHIPPING CARTON 96707-0007.
  6. SEE PAGE 2 OF 2 FOR PANEL CUTOUT DIMENSIONS AND THE ALLOWED PANEL TO PANEL MISALIGNMENT.
  7. USE MOLEX EXTRACTION TOOL 63813-1400 TO REMOVE TERMINAL WITHOUT DAMAGING THE PLUG CORE. RELOAD PLUG CORE WITH NEW TERMINAL ONLY. REMOVED TERMINAL AFTER EXTRACTION IS NOT USABLE.

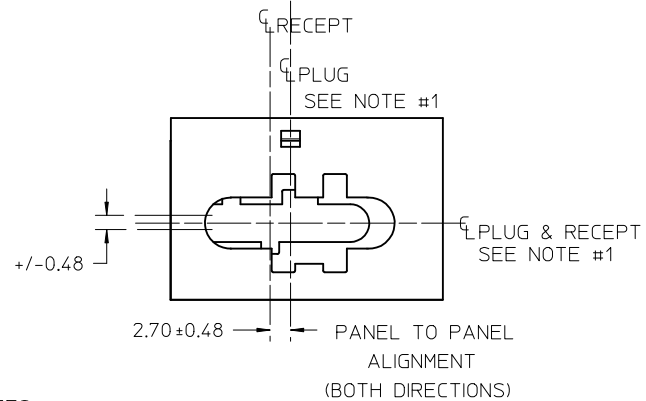
CORRECTED PS NUMBER EC NO: UCP2011-1191 DRWN: DROSCA 2010/10/29 CHKD: APPR: JCOMERCI 2010/10/29	QUALITY SYMBOLS ▽ 0 ▽ C 0	GENERAL TOLERANCES (UNLESS SPECIFIED)		SCALE 4:1	DESIGN UNITS METRIC	THIRD ANGLE PROJECTION	REVISE ON CAD ONLY	
			mm	INCH	DIMENSION STYLE MM ONLY		TITLE	
		4 PLACES	± ---	± ---	DRAWN BY DROSCA	DATE 09/15/2008	SPOX BMI 1X7 PLUG HOUSING REAR ENTRY PANEL MOUNT	
		3 PLACES	± ---	± ---	CHECKED BY JCOMERCI	DATE 09/15/2008		
	2 PLACES	± 0.13	± ---	APPROVED BY JCOMERCI		DATE 2010/10/29	MATERIAL NO. 468310001	
	1 PLACE	± 0.25	± ---	DRAFT WHERE APPLICABLE MUST REMAIN WITHIN DIMENSIONS		ANGULAR ±1/2°	DOCUMENT NO. SD-46831-001	
A	REV			THIS DRAWING CONTAINS INFORMATION THAT IS PROPRIETARY TO MOLEX INCORPORATED AND SHOULD NOT BE USED WITHOUT WRITTEN PERMISSION		SHEET NO. 1 OF 2		



PANEL CUTOUT  
WIRE ENTRY SIDE VIEW  
PANEL THICKNESS 1.00mm +/-0.15



WIRE SIDE ENTRY



PANEL TO PANEL STACK HEIGHT

NOTES:

1. TO ALIGN 46831 PANEL CUTOUT WITH 46528 PANEL CUTOUT, ALIGN HORIZONTAL CENTERLINES AND KEEP 2.70MM BETWEEN VERTICAL CENTERLINES OF THE PANEL CUTOUT IN THE DRAWING SD-46528-077.
2. TERMINALS MUST BE ALLOWED TO FLOAT FREELY WITHIN EACH CORE DO NOT TIE WIRES TOGETHER TIGHTLY, ALLOW WIRE TO MOVE.

EC NO: UCP2011-1191 DRWN: DROSCA 2010/10/29 CHKD: APPR: JCOMERCI 2010/10/29	QUALITY SYMBOLS ▽ 0 ▽ C 0	GENERAL TOLERANCES (UNLESS SPECIFIED)		SCALE 2:1	DESIGN UNITS METRIC	THIRD ANGLE PROJECTION	REVISE ON CAD ONLY
				DIMENSION STYLE MM ONLY		TITLE	
A	REV	4 PLACES ± --- ± ---		DRAWN BY DROSCA	DATE 09/15/2008	SPOX BMI 1X7 PLUG HOUSING REAR ENTRY PANEL MOUNT	
		3 PLACES ± --- ± ---		CHECKED BY JCOMERCI	DATE 09/15/2008	MOLEX INCORPORATED	
		2 PLACES ± 0.13 ± ---		APPROVED BY JCOMERCI	DATE 2010/10/29	SEE PAGE 1	DOCUMENT NO. SD-46831-001
		1 PLACE ± 0.25 ± ---		DRAFT WHERE APPLICABLE MUST REMAIN WITHIN DIMENSIONS		THIS DRAWING CONTAINS INFORMATION THAT IS PROPRIETARY TO MOLEX INCORPORATED AND SHOULD NOT BE USED WITHOUT WRITTEN PERMISSION	SHEET NO. 2 OF 2