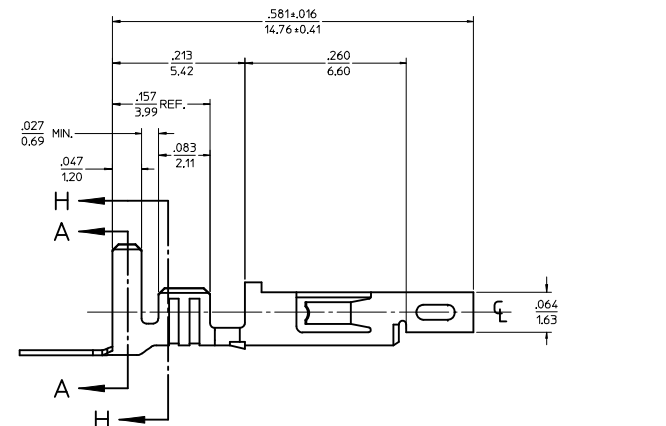
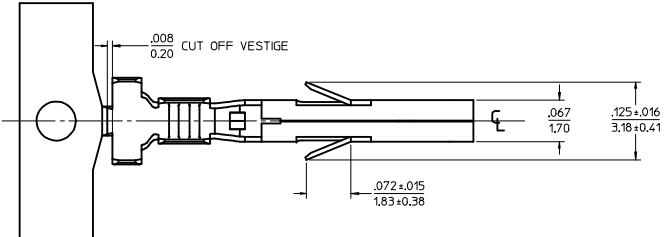
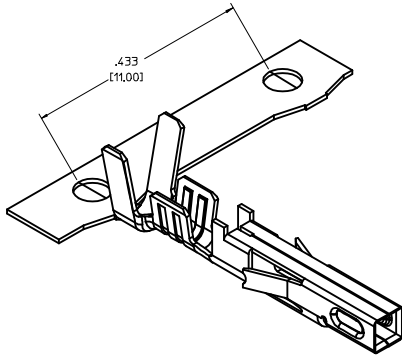


ITEM NO.	FORM	WIRE GAGE	DIM 'B'	DIM 'C'	DIM 'D'	DIM 'E'	DIM 'F'	DIM 'G'	PLATING: SEE NOTE 2
45750111	CHAIN	18-20	.142±.012 (3.60±0.30)	.177±.016 (4.50±0.40)	.035 (0.90)	.075±.012 (1.90±0.30)	.091±.016 (2.30±0.40)	.020 (0.50)	1 TIN OVER NICKEL
45750112	LOOSE	16	.142±.012 (3.60±0.30)	.177±.016 (4.50±0.40)	.035 (0.90)	.091±.012 (2.30±0.30)	.106±.016 (2.70±0.40)	.024 (0.60)	
45750121	CHAIN	18-20	.142±.012 (3.60±0.30)	.177±.016 (4.50±0.40)	.035 (0.90)	.075±.012 (1.90±0.30)	.091±.016 (2.30±0.40)	.020 (0.50)	2 SELECT GOLD OVER NICKEL
45750122	LOOSE	16	.142±.012 (3.60±0.30)	.177±.016 (4.50±0.40)	.035 (0.90)	.091±.012 (2.30±0.30)	.106±.016 (2.70±0.40)	.024 (0.60)	

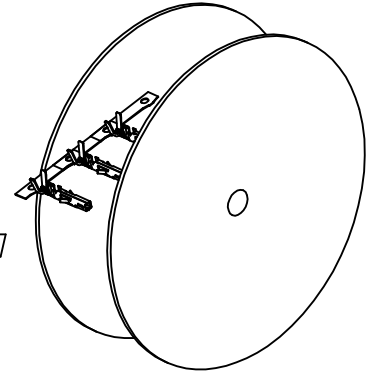
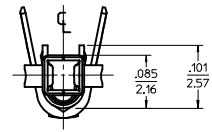
NOTES:

- MATERIAL: COPPER ALLOY .0080/(0.203) THICK
- FINISH:
 - .000100/(0.00254) MIN, BRIGHT TIN OVER .000050/(0.00127) MIN NICKEL OVERALL.
 - .000030/(0.00076) MIN, SELECT GOLD IN CONTACT AREA AND .000100/(0.00254) MIN, SELECT MATTE TIN IN CRIMP AREA OVER .000050/(0.00127) MIN, NICKEL OVERALL.
 GOLD PLATING RECOMMENDED FOR APPLICATIONS WHERE FRETTING CORROSION IS A CONCERN.
- PRODUCT SPECIFICATION: PS-45750-001
- PACKAGING SPECIFICATION : PK-45750-001 FOR CHAIN TERMINALS
PK-5556-003 FOR LOOSE TERMINALS
- TERMINAL FOR USE WITH 5557, 42474, 44516, 43760, AND 30067 SERIES HOUSINGS.
- WHEN TERMINALS ARE INSTALLED IN THE HOUSING, THE WIRES ARE TO BE DRESSED IN SUCH A MANNER TO ALLOW THE TERMINALS TO FLOAT FREELY IN THE POCKET.
- THIS TERMINAL IS DESIGNED FOR SINGLE WIRE CRIMPING.

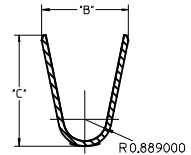


LEGEND

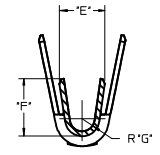
45750 * * 1 * *
 BASE NUMBER: 1 = CHAIN, 2 = LOOSE
 WIRE GAGE: 1 = 18-20, 3 = 16
 PLATING (SEE NOTE 2): 1 = TIN OVER NICKEL, 2 = SELECT GOLD



RoHS COMPLIANT



SECTION A-A



SECTION H-H

UPDATE .050 DIM EEC NO: UCP2014-4406 DRAWN BY: CHYD:IBELL APPROVED: SMITH 2014/04/25 2015/07/17	QUALITY SYMBOLS	GENERAL TOLERANCES (UNLESS SPECIFIED)	DIMENSION STYLE	SCALE	DESIGN UNITS	THIRD ANGLE PROJECTION
	▽=0	4 PLACES ±.010 ±.010	IN/MM	10:1	INCH	
	▽=0	3 PLACES ±.025 ±.010				
	▽=0	2 PLACES ±0.25 ±.014				
		1 PLACE ±0.36 ±.010				
		0 PLACE ±.010 ±.010				
		ANGULAR ±1/2°				
		DRAFT WHERE APPLICABLE MUST REMAIN WITHIN DIMENSIONS				
			MATERIAL NO. SEE CHART		DOCUMENT NO. SD-45750-001	SHEET NO. 1 OF 1
			THIS DRAWING CONTAINS INFORMATION THAT IS PROPRIETARY TO MOLEX INCORPORATED AND SHOULD NOT BE USED WITHOUT WRITTEN PERMISSION			