

10 9 8 7 6 5 4 3 2 1

F

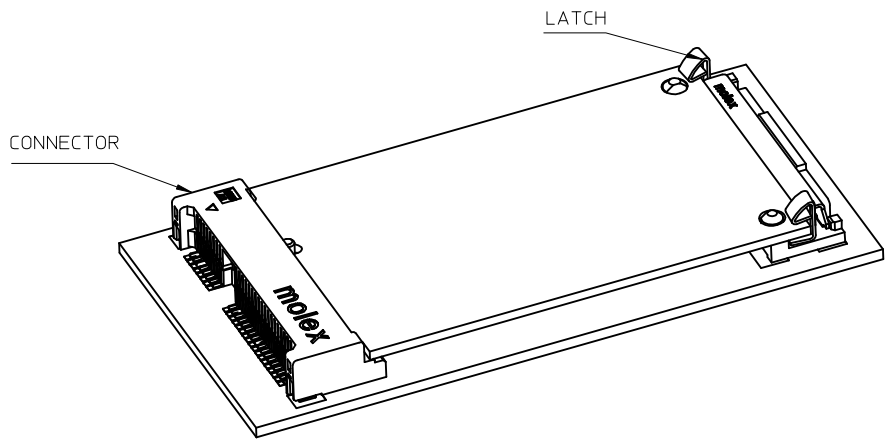
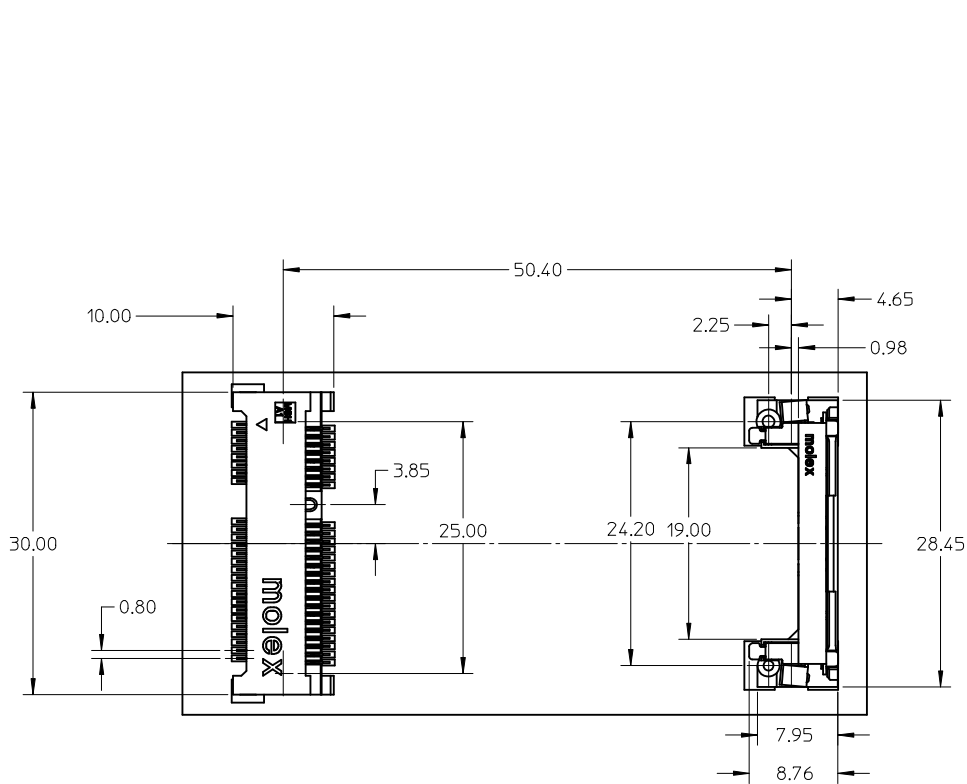
E

D

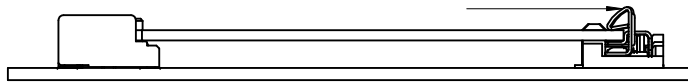
C

B

A

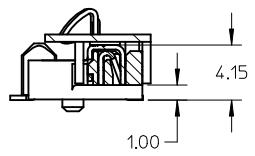


PUSH LATCH TO RELEASE MODULE

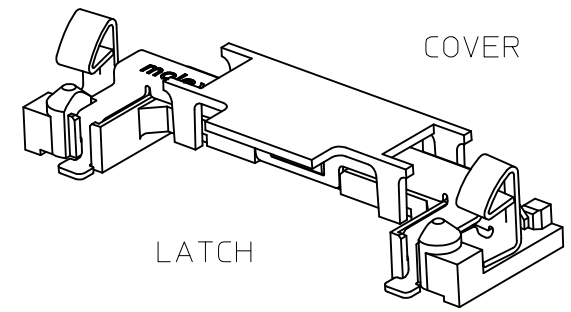
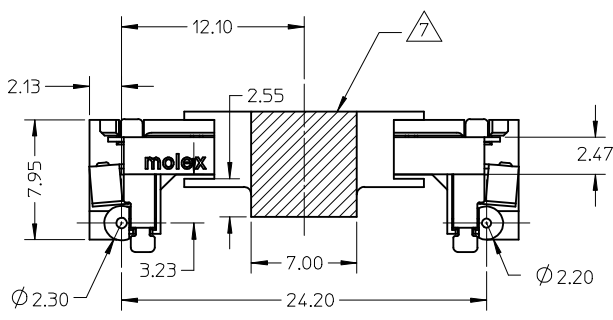


REVISED EC NO: SH2009-0388 DRW: ZHAO CHKD: APPR: HWANG	2008/12/03 2008/12/04 2008/12/09	DESCRIPTION REV	QUALITY SYMBOLS ▽=0 ◻=0	GENERAL TOLERANCES (UNLESS SPECIFIED)		DIMENSION STYLE MM ONLY		SCALE 1:1	DESIGN UNITS METRIC	THIRD ANGLE PROJECTION			
				4 PLACES ± --- ± --- 3 PLACES ± --- ± --- 2 PLACES ± 0.25 ± --- 1 PLACE ± 0.25 ± ---	mm INCH	DRAWN BY DAVID HU	DATE 2005/12/14	TITLE LATCH FOR MINIPCI-E 0.8MM PITCH 52 CIRCUIT LEAD-FREE					
				ANGULAR ± 3 °	CHECKED BY HARVEY	DATE 2005/12/14	MOLEX INCORPORATED						
			DRAFT WHERE APPLICABLE MUST REMAIN WITHIN DIMENSIONS		APPROVED BY GARY	DATE 2005/12/14	MATERIAL NO. 48099-5701	DOCUMENT NO. SD-48099-006	SHEET NO. 1 OF 3				

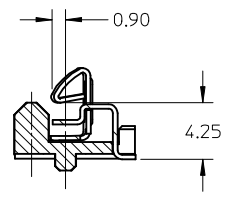
9 8 7 6 5 4 3 2 1



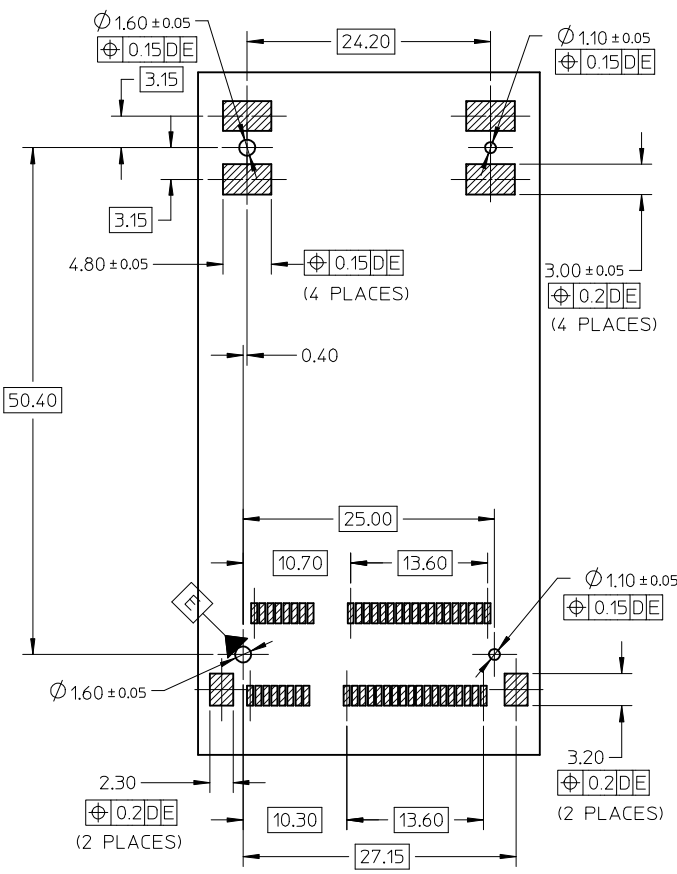
SECTION Z-Z  
Scale 3:1



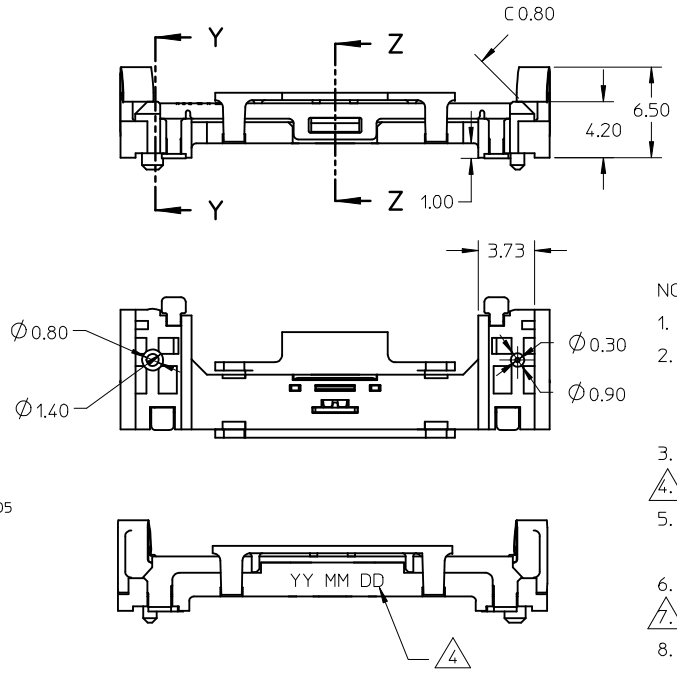
LATCH



SECTION Y-Y  
Scale 3:1



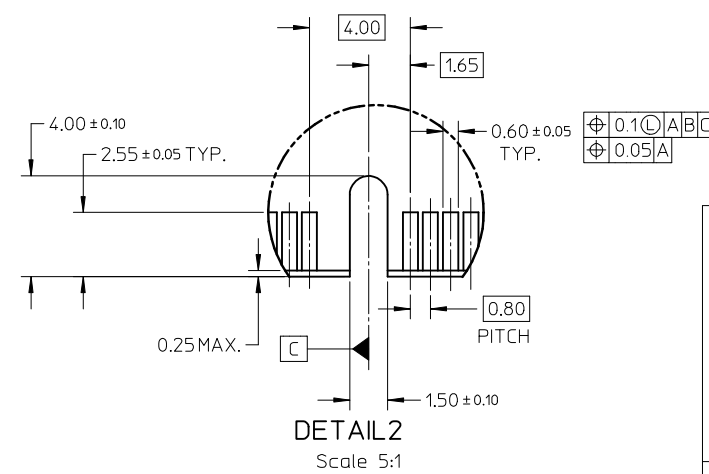
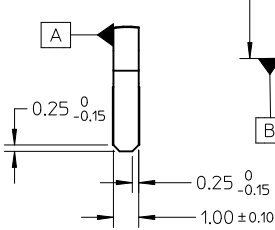
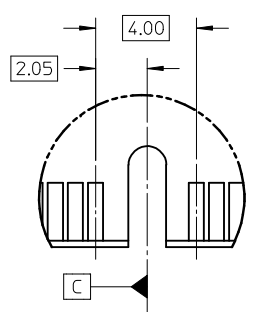
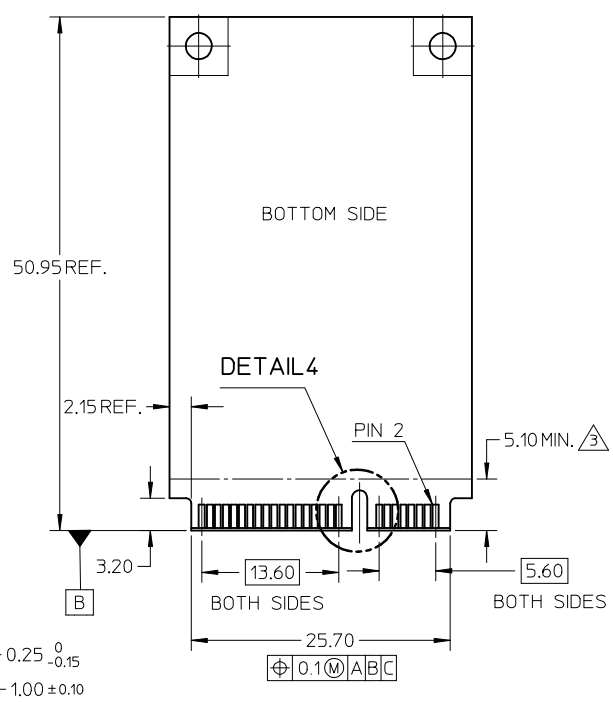
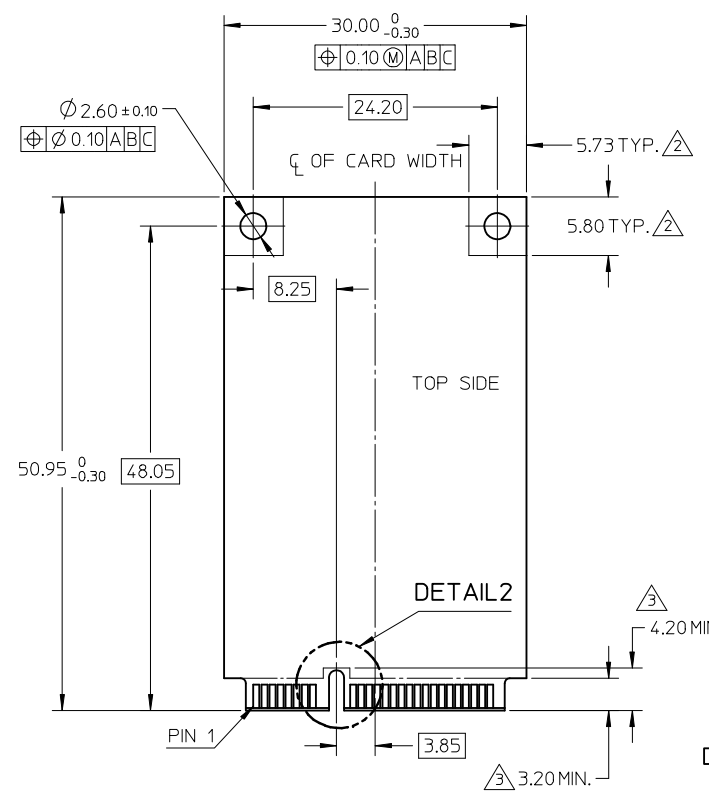
DATUM D IS THE TOP SURFACE OF PCB  
RECOMMENDED PCB LAYOUT



- NOTES:
- THIS LATCH USES WITH MINI PCI EXPRESS CONN.
  - HOUSING:PA46 GLASS FILLED,COLOR:BLACK UL94V-0  
METAL SHELL:STAINLESS STEEL,THICKNESS:0.3MM  
BEAM:STAINLESS STEEL,THICKNESS:0.3MM
  - FINISH:GOLD FLASH PLATED IN SOLDER AREA.
  - DATE CODE:YY-YEAR MM-MONTH DD-DATE
  - THE MOUDLE CARD REFERS TO MINI PCI EXPRESS CARD ELECTROMECHANICAL SPECIFICATION.
  - MATCHED CONNECTOR:67910 SERIES.
  - FOR PICK AND PLACE AREA.
  - PART 48099-5701 COMPLIANT TO ROHS DIRECTIVE 2002/95/EC AND ELV DIRECTIVE 2000/53/EC.

REVISED EC NO: SH2009-0388 DR: WINEZHAO CHKD: APPR: HWANG 2008/12/03 2008/12/04 2008/12/09	QUALITY SYMBOLS ▽=0 C=0	GENERAL TOLERANCES (UNLESS SPECIFIED)		DIMENSION STYLE MM ONLY		SCALE 1:1	DESIGN UNITS METRIC	THIRD ANGLE PROJECTION	
		4 PLACES ± --- ± ---	3 PLACES ± --- ± ---	mm INCH	DRAWN BY DAVID HU	DATE 2005/12/14	TITLE LATCH FOR MINI PCI-E 0.8MM PITCH 52 CIRCUIT LEAD-FREE		
		2 PLACES ± 0.25 ± ---	1 PLACE ± 0.25 ± ---	ANGULAR ± 3 °	CHECKED BY HARVEY	DATE 2005/12/14	MOLEX INCORPORATED		
		DRAFT WHERE APPLICABLE MUST REMAIN WITHIN DIMENSIONS		MATERIAL NO. 48099-5701	APPROVED BY GARY	DATE 2005/12/14	DOCUMENT NO. SD-48099-006	SHEET NO. 2 OF 3	

NOTES,  
 1. PIN NUMBERING REFERENCE:  
 ODD PINS-TOP SIDE  
 EVEN PINS-BOTTOM SIDE  
 2. COMPONENT AND ROUTING(ALL LAYERS)  
 KEEP OUT AREA FOR HOLD DOWN SOLUTIONS  
 3. COMPONENT KEEP OUT AREA FOR CONNECTOR



DETAIL 3  
Scale 5:1

DETAIL 4  
Scale 5:1

REVISED EC NO: SH2009-0388 DR: WINEZHAO CHKD: APPR: HWANG	DESCRIPTION 2008/12/03 2008/12/04 2008/12/09	QUALITY SYMBOLS	GENERAL TOLERANCES (UNLESS SPECIFIED)	DIMENSION STYLE	SCALE	DESIGN UNITS	THIRD ANGLE PROJECTION		
		▽=0 ∇=0	mm INCH	MM ONLY	1:1	METRIC	⊙ □		
			4 PLACES ± --- ± --- 3 PLACES ± --- ± --- 2 PLACES ± 0.25 ± --- 1 PLACE ± 0.25 ± ---	DRAWN BY DATE DAVID HU 2005/12/14	CHECKED BY DATE HARVEY 2005/12/14	APPROVED BY DATE GARY 2005/12/14	TITLE LATCH FOR MINIPCI-E 0.8MM PITCH 52 CIRCUIT LEAD-FREE		
			ANGULAR ± 3 °	MATERIAL NO. 48099-5701	MOLEX INCORPORATED		DOCUMENT NO. SD-48099-006	SHEET NO. 3 OF 3	
DRAFT WHERE APPLICABLE MUST REMAIN WITHIN DIMENSIONS		SIZE A3	THIS DRAWING CONTAINS INFORMATION THAT IS PROPRIETARY TO MOLEX INCORPORATED AND SHOULD NOT BE USED WITHOUT WRITTEN PERMISSION						