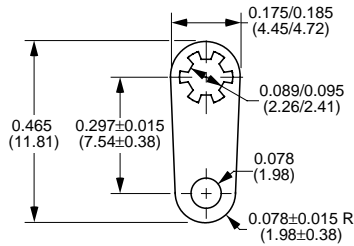
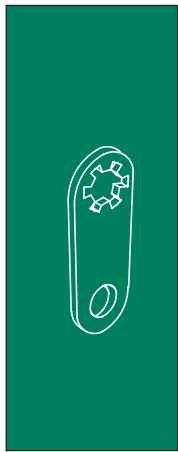
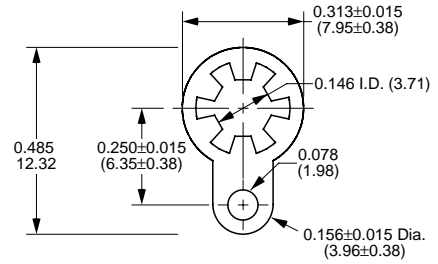
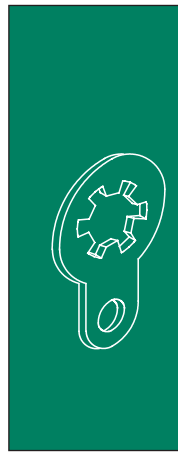


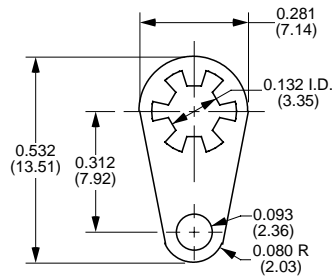
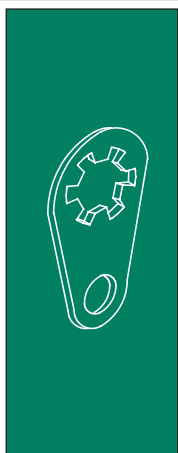
# Lockwasher Terminals



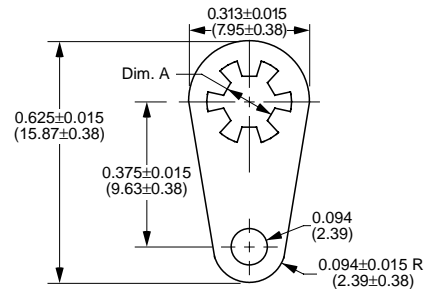
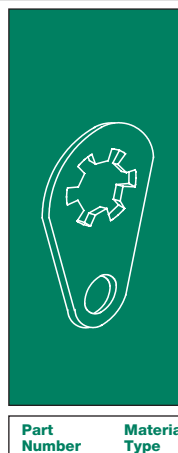
Part Number	Material Type	Finish Code	Inventory Type
922-092	0.013" (0.33mm) Bronze	0	Stock



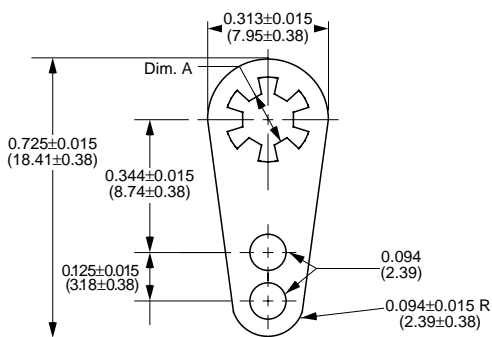
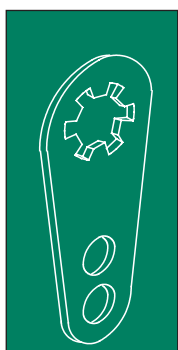
Part Number	Material Type	Finish Code	Inventory Type
947-144	0.018" (0.46mm) Bronze	0	Stock



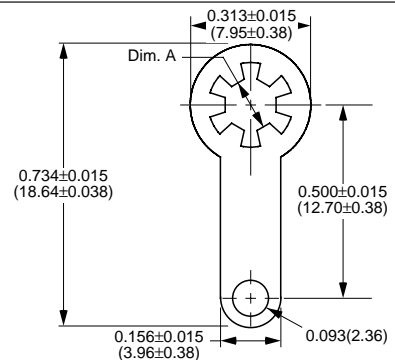
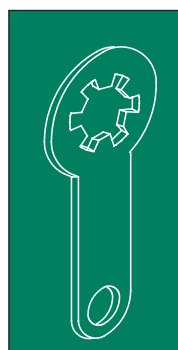
Part Number	Material Type	Finish Code	Inventory Type
951-130	0.016" (0.41mm) Brass	0	Special



Part Number	Material Type	Finish Code	Inventory Type	Dim. 'A'
502-120	0.018" (0.46mm) Brass	0	Stock	0.120" (3.05mm)
502-144	0.018" (0.46mm) Brass	0	Stock	0.144" (3.66mm)
502-169	0.018" (0.46mm) Brass	0	Stock	0.169" (4.29mm)
802-120	0.018" (0.46mm) Bronze	0	Stock	0.120" (3.05mm)
802-144	0.018" (0.46mm) Bronze	0	Stock	0.144" (3.66mm)
802-169	0.018" (0.46mm) Bronze	0	Stock	0.169" (4.29mm)

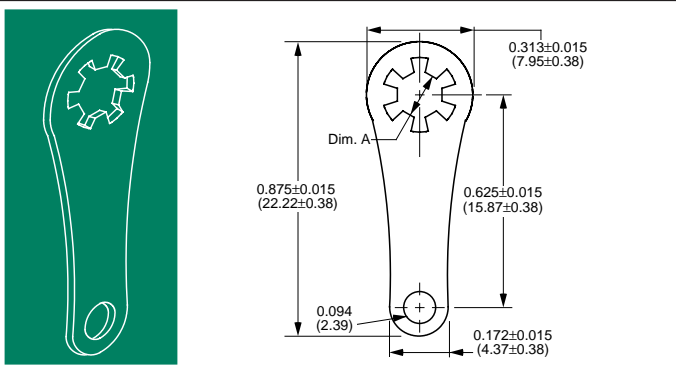


Part Number	Material Type	Finish Code	Inventory Type	Dim. 'A'
503-120	0.018" (0.46mm) Brass	0	Stock	0.120" (3.05mm)
503-144	0.018" (0.46mm) Brass	0	Stock	0.144" (3.66mm)
503-169	0.018" (0.46mm) Brass	0	Stock	0.169" (4.29mm)
803-120	0.018" (0.46mm) Bronze	0	Stock	0.120" (3.05mm)
803-144	0.018" (0.46mm) Bronze	0	Stock	0.144" (3.66mm)
803-169	0.018" (0.46mm) Bronze	0	Stock	0.169" (4.29mm)
MS 77067-1	0.018" (0.46mm) Bronze	MS	Special	0.120" (3.05mm)
MS 77067-2	0.018" (0.46mm) Bronze	MS	Special	0.144" (3.66mm)
MS 77067-3	0.018" (0.46mm) Bronze	MS	Special	0.169" (4.29mm)

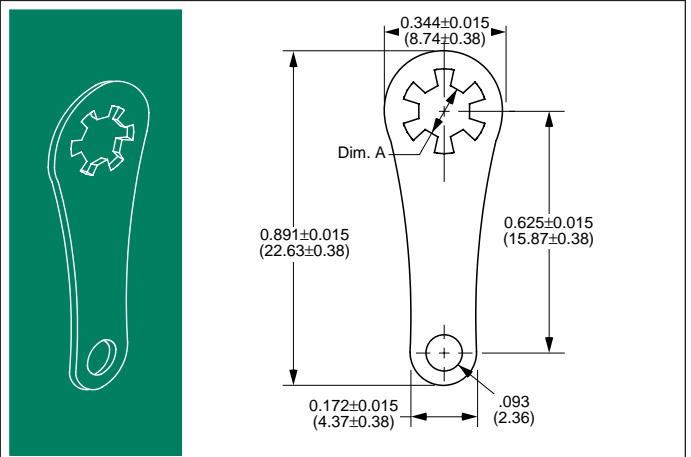


Part Number	Material Type	Finish Code	Inventory Type	Dim. 'A'
523-120	0.018" (0.46mm) Brass	0	Stock	0.115"/0.123" (2.92mm/3.12mm)
523-144	0.018" (0.46mm) Brass	0	Stock	0.141"/0.150" (3.58mm/3.81mm)
523-169	0.018" (0.46mm) Brass	0	Special	0.168"/0.176" (4.27mm/4.47mm)
810-120	0.018" (0.46mm) Bronze	0	Special	0.115"/0.123" (2.92mm/3.12mm)
810-144	0.018" (0.46mm) Bronze	0	Stock	0.141"/0.150" (3.58mm/3.81mm)
810-169	0.018" (0.46mm) Bronze	0	Special	0.168"/0.176" (4.27mm/4.47mm)
MS 77072-1	0.018" (0.46mm) Bronze	MS	Special	0.115"/0.123" (2.92mm/3.12mm)
MS 77072-2	0.018" (0.46mm) Bronze	MS	Special	0.141"/0.150" (3.58mm/3.81mm)
MS 77072-4	0.018" (0.46mm) Bronze	MS	Special	0.168"/0.176" (4.27mm/4.47mm)

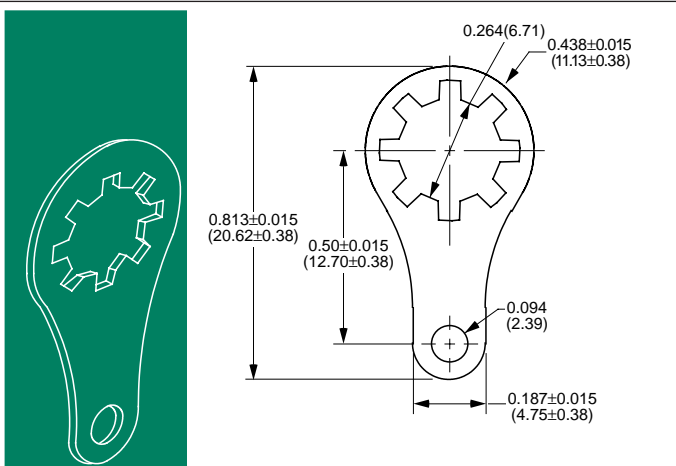
# Lockwasher Terminals



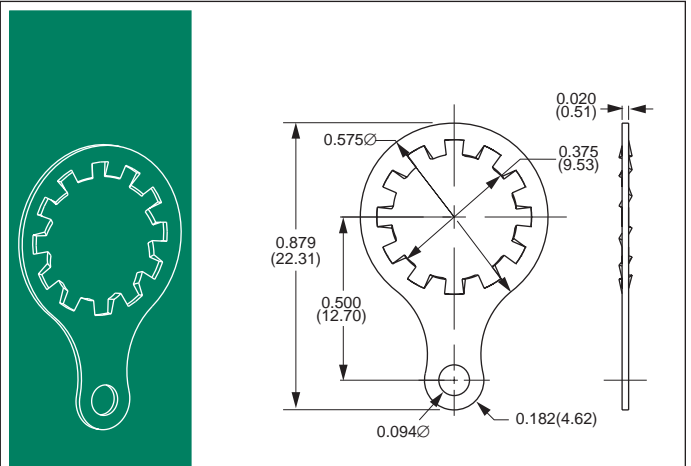
Part Number	Material Type	Finish Code	Inventory Type	Dim. 'A'
501-120	0.018" (0.46mm) Brass	0	Stock	0.115"/0.123" (2.92mm/3.12mm)
501-144	0.018" (0.46mm) Brass	0	Stock	0.141"/0.150" (3.58mm/3.81mm)
501-169	0.018" (0.46mm) Brass	0	Stock	0.168"/0.176" (4.27mm/4.47mm)
801-120	0.018" (0.46mm) Bronze	0	Special	0.115"/0.123" (2.92mm/3.12mm)
801-144	0.018" (0.46mm) Bronze	0	Stock	0.141"/0.150" (3.58mm/3.81mm)
801-169	0.018" (0.46mm) Bronze	0	Stock	0.168"/0.176" (4.27mm/4.47mm)
MS 77070-1	0.018" (0.46mm) Bronze	MS	Special	0.115"/0.123" (2.92mm/3.12mm)
MS 77070-2	0.018" (0.46mm) Bronze	MS	Special	0.141"/0.150" (3.58mm/3.81mm)
MS 77070-3	0.018" (0.46mm) Bronze	MS	Special	0.168"/0.176" (4.27mm/4.47mm)



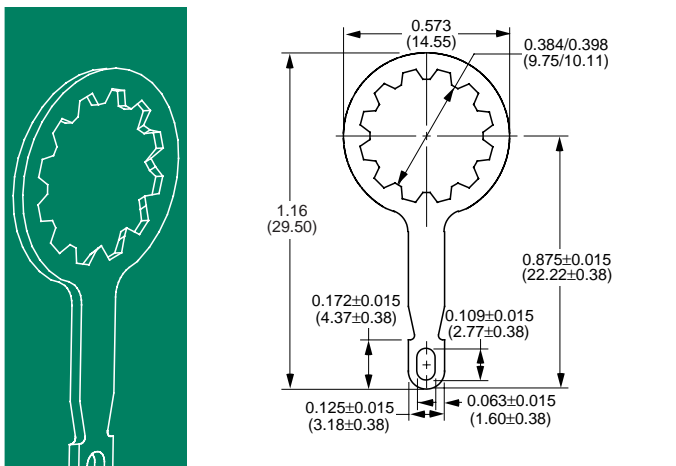
Part Number	Material Type	Finish Code	Inventory Type	Dim. 'A'
622-196	0.018" (0.46mm) Brass	0	Stock	0.196" (4.98mm)
806-196	0.018" (0.46mm) Bronze	0	Stock	0.196" (4.98mm)
MS 77070-5	0.018" (0.46mm) Bronze	MS	Special	0.196" (4.98mm)



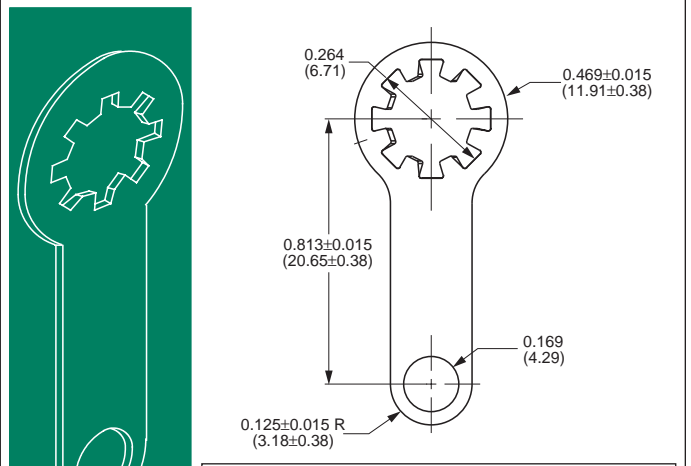
Part Number	Material Type	Finish Code	Inventory Type
681-264	0.018" (0.46mm) Brass	0	Stock
813-264	0.018" (0.46mm) Bronze	0	Stock



Part Number	Material Type	Finish Code	Inventory Type
1000	Brass	0	Special

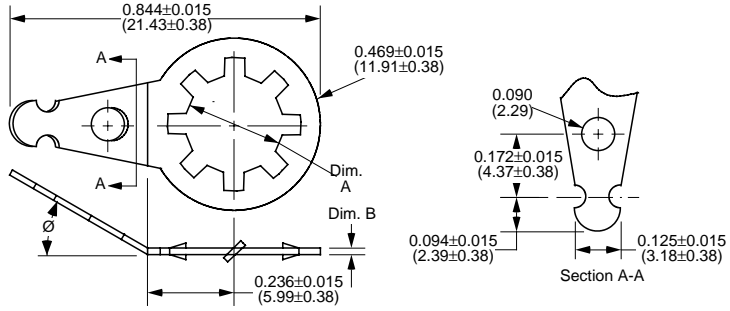
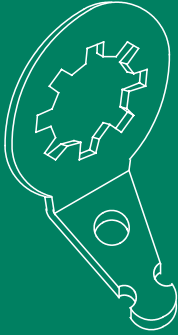


Part Number	Material Type	Finish Code	Inventory Type
761-375	0.025" (0.64mm) Brass	0	Stock
814-375	0.025" (0.64mm) Bronze	0	Stock

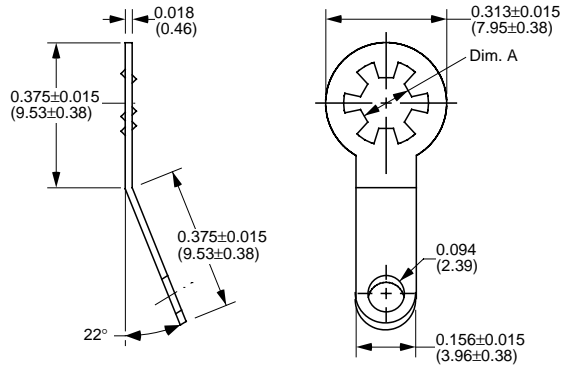


Part Number	Material Type	Finish Code	Inventory Type
762-264	0.025" (0.64mm) Brass	0	Stock

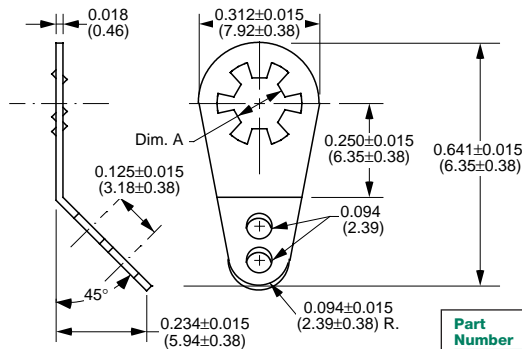
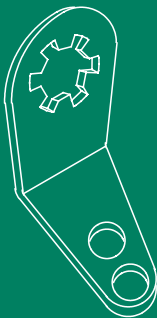
# Lockwasher Terminals



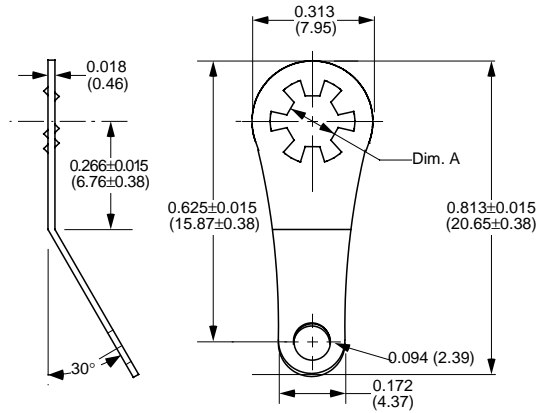
Part Number	Material Type	Finish Code	Inv. Type	Dim. 'A'	Dim. 'B'	Angle $\theta$
932-265	Bronze	0	Special	0.256"/0.267" (6.50mm/6.78mm)	0.018" (0.46mm)	30°
936-196	Bronze	0	Special	0.195"/0.204" (4.95mm/5.18mm)	0.018" (0.46mm)	0°
936-265	Bronze	0	Special	0.256"/0.267" (6.50mm/6.78mm)	0.018" (0.46mm)	0°
937-196	Bronze	0	Special	0.195"/0.204" (4.95mm/5.18mm)	0.025" (0.63mm)	30°
937-224	Bronze	0	Special	0.221"/0.231" (5.61mm/5.87mm)	0.025" (0.63mm)	30°
937-265	Bronze	0	Special	0.256"/0.267" (6.50mm/6.78mm)	0.025" (0.63mm)	30°
MS 77069-1	Bronze	MS	Special	0.195"/0.204" (4.95mm/5.18mm)	0.018" (0.46mm)	30°
MS 77069-2	Bronze	MS	Special	0.221"/0.231" (5.61mm/5.87mm)	0.018" (0.46mm)	30°
MS 77069-3	Bronze	MS	Special	0.256"/0.267" (6.50mm/6.78mm)	0.018" (0.46mm)	30°
MS 77073-1	Bronze	MS	Special	0.195"/0.204" (4.95mm/5.18mm)	0.018" (0.46mm)	0°
MS 77073-2	Bronze	MS	Special	0.256"/0.267" (6.50mm/6.78mm)	0.018" (0.46mm)	0°



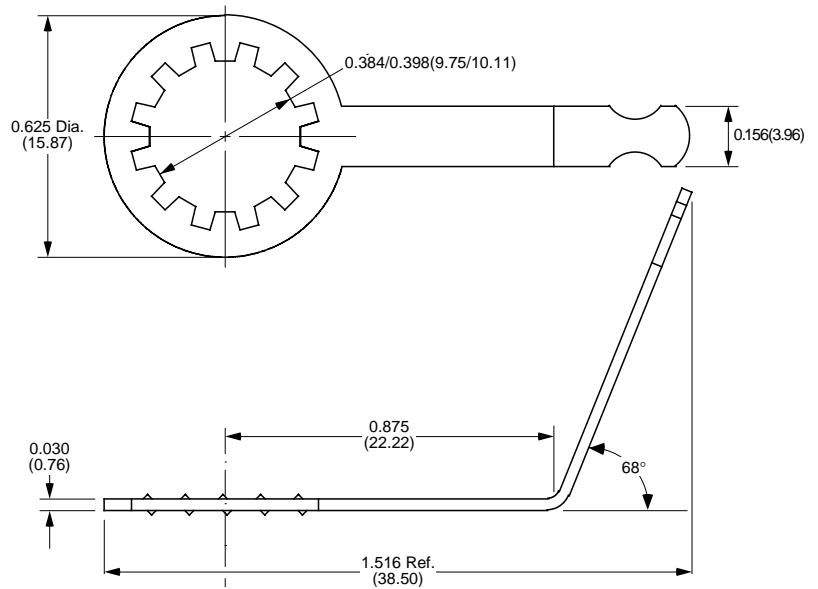
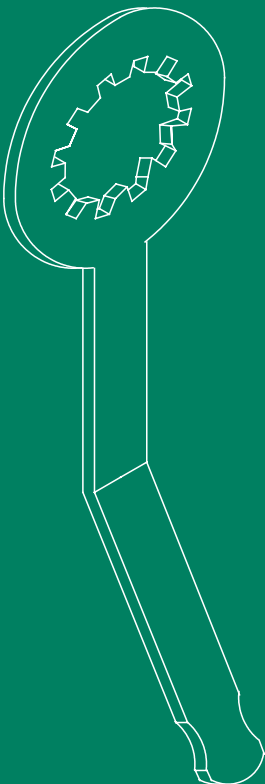
Part Number	Material Type	Finish Code	Inventory Type	Dim. 'A'
409-120	Brass	0	Special	0.120" (3.05mm)
409-144	Brass	0	Stock	0.144" (3.66mm)
409-169	Brass	0	Stock	0.169" (4.29mm)
809-120	Bronze	0	Special	0.120" (3.05mm)
809-144	Bronze	0	Special	0.144" (3.66mm)
809-169	Bronze	0	Special	0.169" (4.29mm)



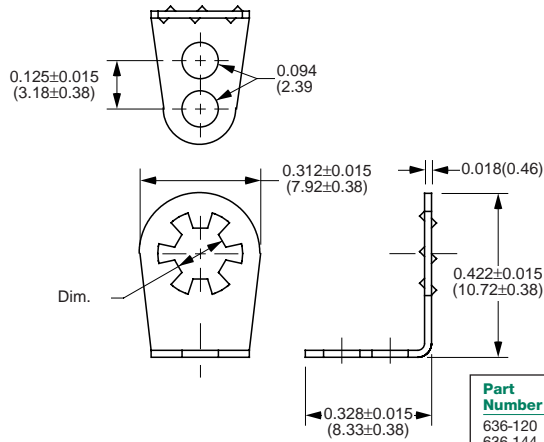
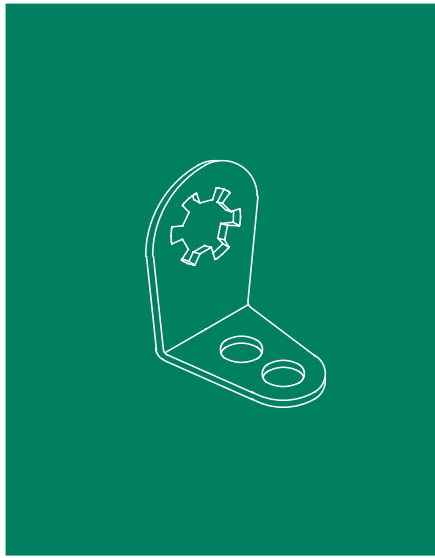
Part Number	Material Type	Finish Code	Inventory Type	Dim. 'A'
505-120	Brass	0	Stock	0.120" (3.05mm)
505-144	Brass	0	Stock	0.144" (3.66mm)
505-169	Brass	0	Stock	0.169" (4.29mm)
505-196	Brass	0	Stock	0.196" (4.98mm)
805-120	Bronze	0	Stock	0.120" (3.05mm)
805-144	Bronze	0	Stock	0.144" (3.66mm)
805-169	Bronze	0	Stock	0.169" (4.29mm)
805-196	Bronze	0	Stock	0.196" (4.98mm)
MS 77068-1	Bronze	MS	Stock	0.120" (3.05mm)
MS 77068-2	Bronze	MS	Stock	0.144" (3.66mm)
MS 77068-3	Bronze	MS	Stock	0.169" (4.29mm)
MS 77068-4	Bronze	MS	Stock	0.196" (4.98mm)



Part Number	Material Type	Finish Code	Inventory Type	Dim. 'A'
504-120	Brass	0	Stock	0.115"/0.123" (2.92mm/3.12mm)
504-144	Brass	0	Stock	0.141"/0.150" (3.58mm/3.81mm)
504-169	Brass	0	Stock	0.168"/0.176" (4.27mm/4.47mm)
804-120	Bronze	0	Stock	0.115"/0.123" (2.92mm/3.12mm)
804-144	Bronze	0	Stock	0.141"/0.150" (3.58mm/3.81mm)
804-169	Bronze	0	Special	0.168"/0.176" (4.27mm/4.47mm)
MS 77066-1	Bronze	MS	Special	0.115"/0.123" (2.92mm/3.12mm)
MS 77066-2	Bronze	MS	Special	0.141"/0.150" (3.58mm/3.81mm)
MS 77066-3	Bronze	MS	Special	0.168"/0.176" (4.27mm/4.47mm)



Part Number	Material Type	Finish Code	Inventory Type
933-375	Brass	0	Stock



Part Number	Material Type	Finish Code	Inventory Type	Dim. 'A'
636-120	Brass	0	Stock	0.120" (3.05mm)
636-144	Brass	0	Stock	0.144" (3.66mm)
636-169	Brass	0	Special	0.169" (4.29mm)
636-196	Brass	0	Special	0.196" (4.98mm)
800-120	Bronze	0	Stock	0.120" (3.05mm)
800-144	Bronze	0	Special	0.144" (3.66mm)
800-169	Bronze	0	Special	0.169" (4.29mm)