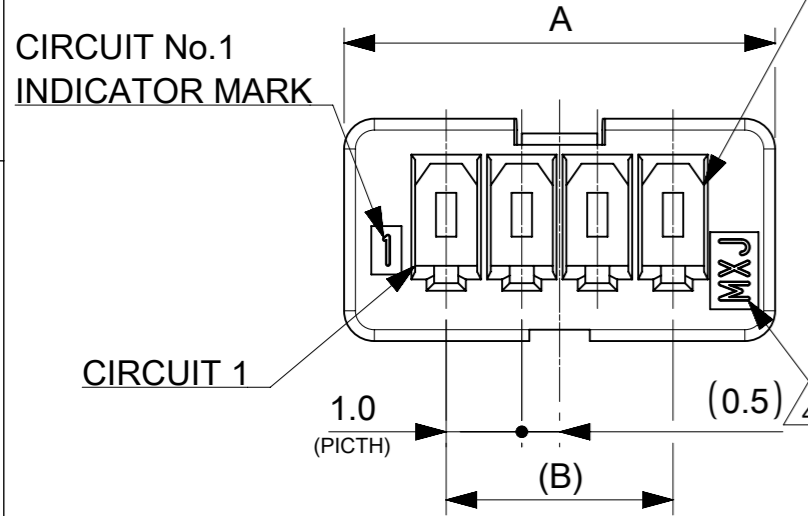
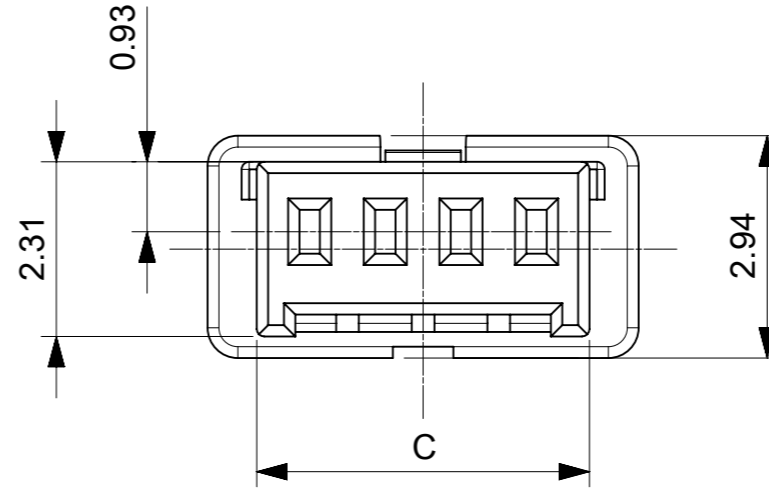
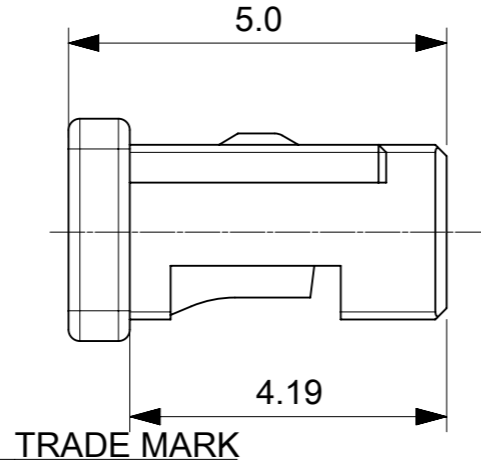


CIRCUIT No.1
INDICATOR MARK



CIRCUIT N



NOTES

1. 本製品は極数によって、ロック形状が変わりますので御注意願います。
THE LOCK SHAPE OF THIS PRODUCT CHANGES ACCORDING TO THE NUMBER OF CIRCUIT.

2~5 CIRCUITS : フリクションロック FRICTION LOCK
6~15 CIRCUITS : インナーポジティブロック INNER POSITIVE LOCK

2 材料 : TABLE 1,3 参照

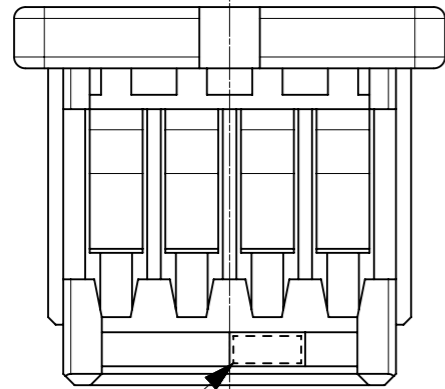
MATERIAL : SEE TABLE 1 AND 3

3 本製品の適応嵌合相手及び各種仕様書はSHEET 3を御参照下さい。
REFER TO SHEET 3 FOR MATE PARTNER AND VARIOUS SPECIFICATION DOCUMENT.

4 偶数極に適応
APPLY FOR EVEN CIRCUIT

5 発注番号 : TABLE 2,4 参照
ORDER No. : SEE TABLE 2 AND 4

CAV No.
& MOLD No.



501330 - ** **

極数 CIRCUIT SIZE	ハウジングカラー HOUSING COLOR
	00:NATURAL(WHITE)
	31:BLACK

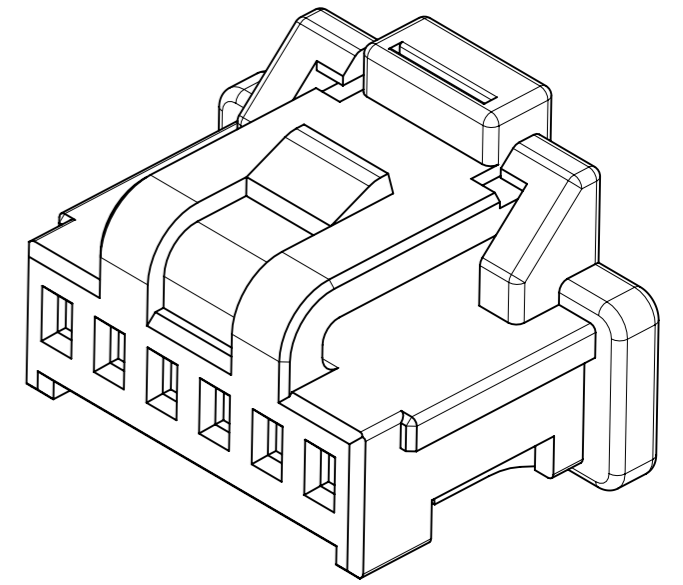
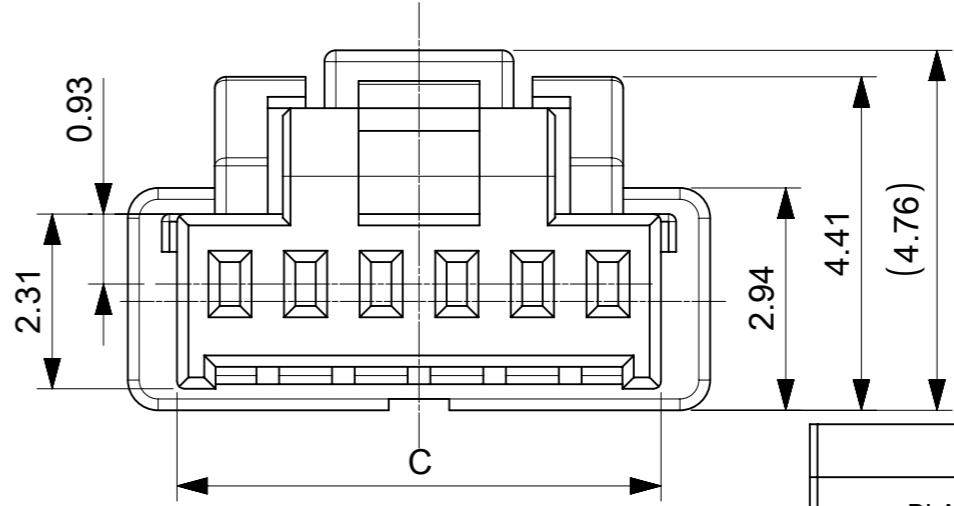
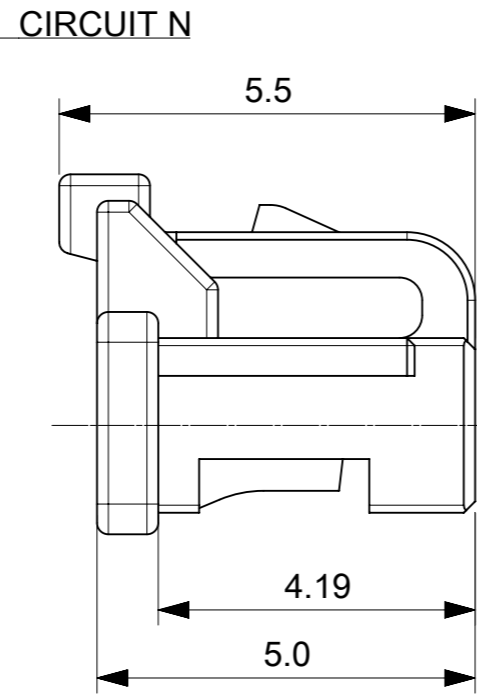
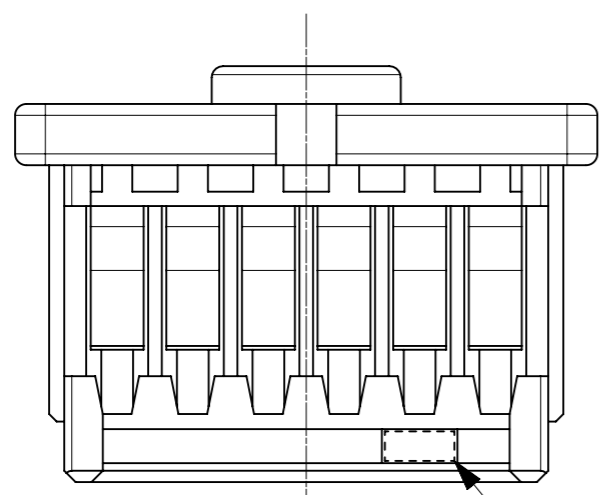
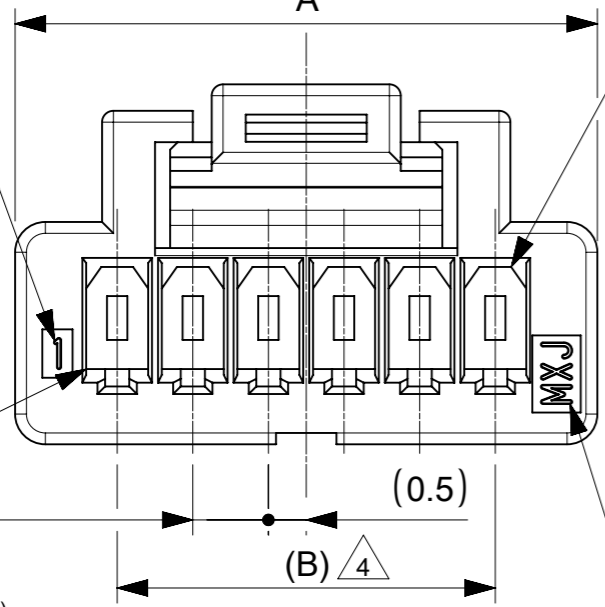
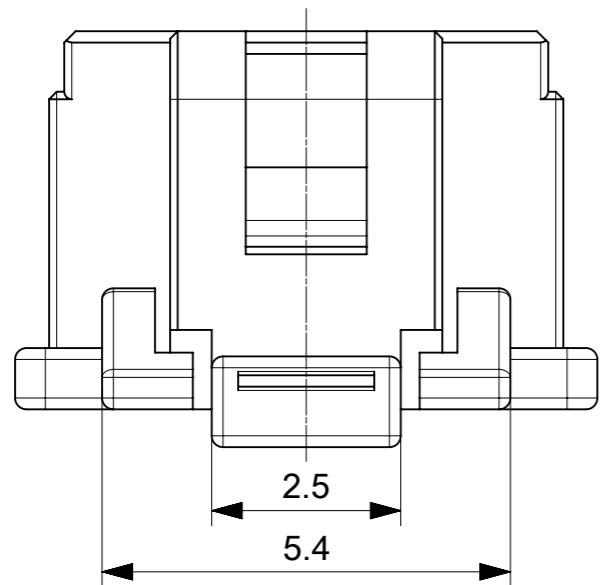
5 TABLE 2

			HOUSING COLOR		
			BLACK	NATURAL (WHITE)	
5.4	4.0	6.7	501330 0531	501330 0500	5
4.4	3.0	5.7	501330 0431	501330 0400	4
3.4	2.0	4.7	501330 0331	501330 0300	3
2.4	1.0	3.7	501330 0231	501330 0200	2
C	B	A	発注番号 ORDER No.		極数 CIRCUIT SIZE
極数別 寸法 DIMENSION			梱包形態 : ポリ袋 PACKAGE:POLYBAG		

2 TABLE 1

部品 PART	材質 MATERIAL
ハウジング HOUSING	ポリアミド(PA), UL94V-0, 色 : SEE TABLE 2 POLYAMIDE(PA), UL94V-0, COLOR : SEE TABLE 2
DOCUMENT STATUS	P1 RELEASE DATE 2020/06/19 11:24:37

THIS DRAWING CONTAINS INFORMATION THAT IS PROPRIETARY TO MOLEX ELECTRONIC TECHNOLOGIES, LLC AND SHOULD NOT BE USED WITHOUT WRITTEN PERMISSION					
DIMENSION UNITS mm	SCALE NTS	CURRENT REV DESC:			
GENERAL TOLERANCES (UNLESS SPECIFIED)		<p>molex</p> <p>PICO-CLASP 1.0 W/B SINGLE ROW REC HSG INNER LOCK</p> <p>PRODUCT CUSTOMER DRAWING</p>			
ANGULAR TOL	± 3.0 °				
4 PLACES	± 0.2				
3 PLACES	± 0.2				
2 PLACES	± 0.2				
1 PLACE	± 0.2	EC NO: 639499	2020/06/15	DRWN: AISHIKAWA	2020/06/19
0 PLACES	± 0.2	CHK'D: AIDA	2020/06/19	APPR: SAKIYAMA	2020/06/19
DRAFT WHERE APPLICABLE MUST REMAIN WITHIN DIMENSIONS		THIRD ANGLE PROJECTION		DRAWING A3-SIZE	SERIES 501330
		DOCUMENT NUMBER 5013300000-SD		DOC TYPE PSD	DOC PART 000
		CUSTOMER		REVISION C	
		SHEET NUMBER 1 OF 4			



CIRCUIT No.1
INDICATOR MARK

CIRCUIT 1

CIRCUIT N

TRADE MARK

CAV No.
& MOLD No.

TABLE 4

			HOUSING COLOR		
			BLACK	NATURAL (WHITE)	
15.4	14.0	16.7	501330 1531	501330 1500	15
14.4	13.0	15.7	501330 1431	501330 1400	14
13.4	12.0	14.7	501330 1331	501330 1300	13
12.4	11.0	13.7	501330 1231	501330 1200	12
11.4	10.0	12.7	501330 1131	501330 1100	11
10.4	9.0	11.7	501330 1031	501330 1000	10
9.4	8.0	10.7	501330 0931	501330 0900	9
8.4	7.0	9.7	501330 0831	501330 0800	8
7.4	6.0	8.7	501330 0731	501330 0700	7
6.4	5.0	7.7	501330 0631	501330 0600	6
C	B	A	発注番号 ORDER No.		極数 CIRCUIT SIZE
極数別 寸法 DIMENSION			梱包形態 : ポリ袋 PACKAGE:POLYBAG		

TABLE 3

部品 PART	材質 MATERIAL
ハウジング HOUSING	ポリアミド(PA), UL94V-0, 色 : SEE TABLE 4 POLYAMIDE(PA), UL94V-0, COLOR : SEE TABLE 4
DOCUMENT STATUS	P1 RELEASE DATE 2020/06/19 11:24:37

THIS DRAWING CONTAINS INFORMATION THAT IS PROPRIETARY TO MOLEX ELECTRONIC TECHNOLOGIES, LLC AND SHOULD NOT BE USED WITHOUT WRITTEN PERMISSION

DIMENSION UNITS mm	SCALE NTS	CURRENT REV DESC:		molex		
GENERAL TOLERANCES (UNLESS SPECIFIED)		EC NO: 639499				
ANGULAR TOL	± 3.0°	DRWN: AISHIKAWA		PRODUCT CUSTOMER DRAWING		
4 PLACES	± 0.2	CHK'D: AIDA		DOCUMENT NUMBER		
3 PLACES	± 0.2	APPR: SAKIYAMA		5013300000-SD		
2 PLACES	± 0.2	INITIAL REVISION:		DOC TYPE DOC PART REVISION		
1 PLACE	± 0.2	DRWN: AISHIKAWA		PSD 000 C		
0 PLACES	± 0.2	APPR: KOMURAKAMI		MATERIAL NUMBER CUSTOMER		
DRAFT WHERE APPLICABLE MUST REMAIN WITHIN DIMENSIONS		THIRD ANGLE PROJECTION	DRAWING	SERIES	SHEET NUMBER	
			A3-SIZE	501330	2 OF 4	

3 適応製品及び各種仕様書 (標準仕様)

APPLICABLE PRODUCTS AND VARIOUS SPECIFICATIONS (STANDARD TYPE)

梱包仕様書 PACKING SPECIFICATION	SPECIFICATION NUMBER SPK-501330-001
--------------------------------	--

適応圧着端子 APPLY CRIMP TERMINAL	PART NUMBER	PLATING TYPE		WIRE SIZE(AWG) #28 - #32
	501334 0000	TIN (THICKNESS) 【MICRO-METER MIN.】	1.0	
501193 7000	GOLD (THICKNESS) 【MICRO-METER MIN.】	0.1		
501193 8000		0.38		
501193 9000		0.76		

列 ROW	SINGLE								
	SMT				SMT				
適応嵌合相手 MATE WITH	VERTICAL	RIGHT ANGLE	VERTICAL	RIGHT ANGLE	VERTICAL	RIGHT ANGLE	VERTICAL	RIGHT ANGLE	
	TIN (THICKNESS) 【MICRO-METER MIN.】	TIN (THICKNESS) 【MICRO-METER MIN.】	GOLD (THICKNESS) 【MICRO-METER MIN.】	GOLD (THICKNESS) 【MICRO-METER MIN.】	GOLD (THICKNESS) 【MICRO-METER MIN.】	GOLD (THICKNESS) 【MICRO-METER MIN.】	GOLD (THICKNESS) 【MICRO-METER MIN.】	GOLD (THICKNESS) 【MICRO-METER MIN.】	GOLD (THICKNESS) 【MICRO-METER MIN.】
	1.0	1.0	0.1	0.38	0.76	0.1	0.38	0.76	
シリーズ番号 SERIES No.	501331	501568	504449	203556	203557	202396	203558	203559	
製品仕様書 PRODUCT SPECIFICATION	5013300000-PS 001				5013300000-PS 002				
取扱説明書 APPLICATION SPECIFICATION	5013300000-AS 000								

※製品嵌合図は各"適応嵌合相手"図面参照のこと
MATING VIEW:REFER TO EACH "MATE WITH" PART DRAWING.

THIS DRAWING CONTAINS INFORMATION THAT IS PROPRIETARY TO MOLEX ELECTRONIC TECHNOLOGIES, LLC AND SHOULD NOT BE USED WITHOUT WRITTEN PERMISSION									
DIMENSION UNITS mm	SCALE NTS	CURRENT REV DESC:				molex			
GENERAL TOLERANCES (UNLESS SPECIFIED)		EC NO: 639499							
ANGULAR TOL	± 3.0 °	DRWN: AISHIKAWA 2020/06/15				PICO-CLASP 1.0 W/B SINGLE ROW REC HSG INNER LOCK			
4 PLACES	± 0.2	CHK'D: AIDA 2020/06/19				PRODUCT CUSTOMER DRAWING			
3 PLACES	± 0.2	APPR: SAKIYAMA 2020/06/19				DOCUMENT NUMBER			
2 PLACES	± 0.2	INITIAL REVISION:				5013300000-SD			
1 PLACE	± 0.2	DRWN: AISHIKAWA 2019/03/12				DOC TYPE			
0 PLACES	± 0.2	APPR: KOMURAKAMI 2019/04/05				PSD			
DRAFT WHERE APPLICABLE MUST REMAIN WITHIN DIMENSIONS		THIRD ANGLE PROJECTION	DRAWING	SERIES	MATERIAL NUMBER	CUSTOMER	DOC PART	REVISION	SHEET NUMBER
			A3-SIZE	501330			000	C	3 OF 4

△ 3 適応製品及び各種仕様書 (ローハロゲン仕様)

APPLICABLE PRODUCTS AND VARIOUS SPECIFICATIONS (LOW HALOGEN TYPE)

列 ROW	SINGLE							
	SMT				SMT			
適応嵌合相手 MATE WITH	VERTICAL	RIGHT ANGLE	VERTICAL			RIGHT ANGLE		
	TIN (THICKNESS) 【MICRO-METER MIN.】	TIN (THICKNESS) 【MICRO-METER MIN.】	GOLD (THICKNESS) 【MICRO-METER MIN.】			GOLD (THICKNESS) 【MICRO-METER MIN.】		
	1.0	1.0	0.1	0.38	0.76	0.1	0.38	0.76
シリーズ番号 SERIES No.	208381 ***9	208387 ***9	208381 ***7	208381 ***5	208381 ***3	208387 ***7	208387 ***5	208387 ***3
製品仕様書 PRODUCT SPECIFICATION	5013300000-PS 003				5013300000-PS 004			
取扱説明書 APPLICATION SPECIFICATION	5013300000-AS 001							

※製品嵌合図は各"適応嵌合相手"図面参照のこと
 MATING VIEW:REFER TO EACH "MATE WITH" PART DRAWING.
 ※適応圧着端子は標準仕様と共通になります
 THE APPLICABLE CRIMP TERMINAL ARE THE SAME THE STANDARD.

THIS DRAWING CONTAINS INFORMATION THAT IS PROPRIETARY TO MOLEX ELECTRONIC TECHNOLOGIES, LLC AND SHOULD NOT BE USED WITHOUT WRITTEN PERMISSION										
DIMENSION UNITS	SCALE	CURRENT REV DESC:						molex		
mm	NTS									
GENERAL TOLERANCES (UNLESS SPECIFIED)		EC NO: 639499						PICO-CLASP 1.0 W/B SINGLE ROW REC HSG INNER LOCK		
ANGULAR TOL	± 3.0 °	DRWN: AISHIKAWA 2020/06/15						PRODUCT CUSTOMER DRAWING		
4 PLACES	± 0.2	CHK'D: AIDA 2020/06/19						DOCUMENT NUMBER		
3 PLACES	± 0.2	APPR: SAKIYAMA 2020/06/19						5013300000-SD		
2 PLACES	± 0.2	INITIAL REVISION:						DOC TYPE	DOC PART	REVISION
1 PLACE	± 0.2	DRWN: AISHIKAWA 2019/03/12						PSD	000	C
0 PLACES	± 0.2	APPR: KOMURAKAMI 2019/04/05								
DRAFT WHERE APPLICABLE MUST REMAIN WITHIN DIMENSIONS		THIRD ANGLE PROJECTION	DRAWING	SERIES	MATERIAL NUMBER	CUSTOMER		SHEET NUMBER		
			A3-SIZE	501330				4 OF 4		