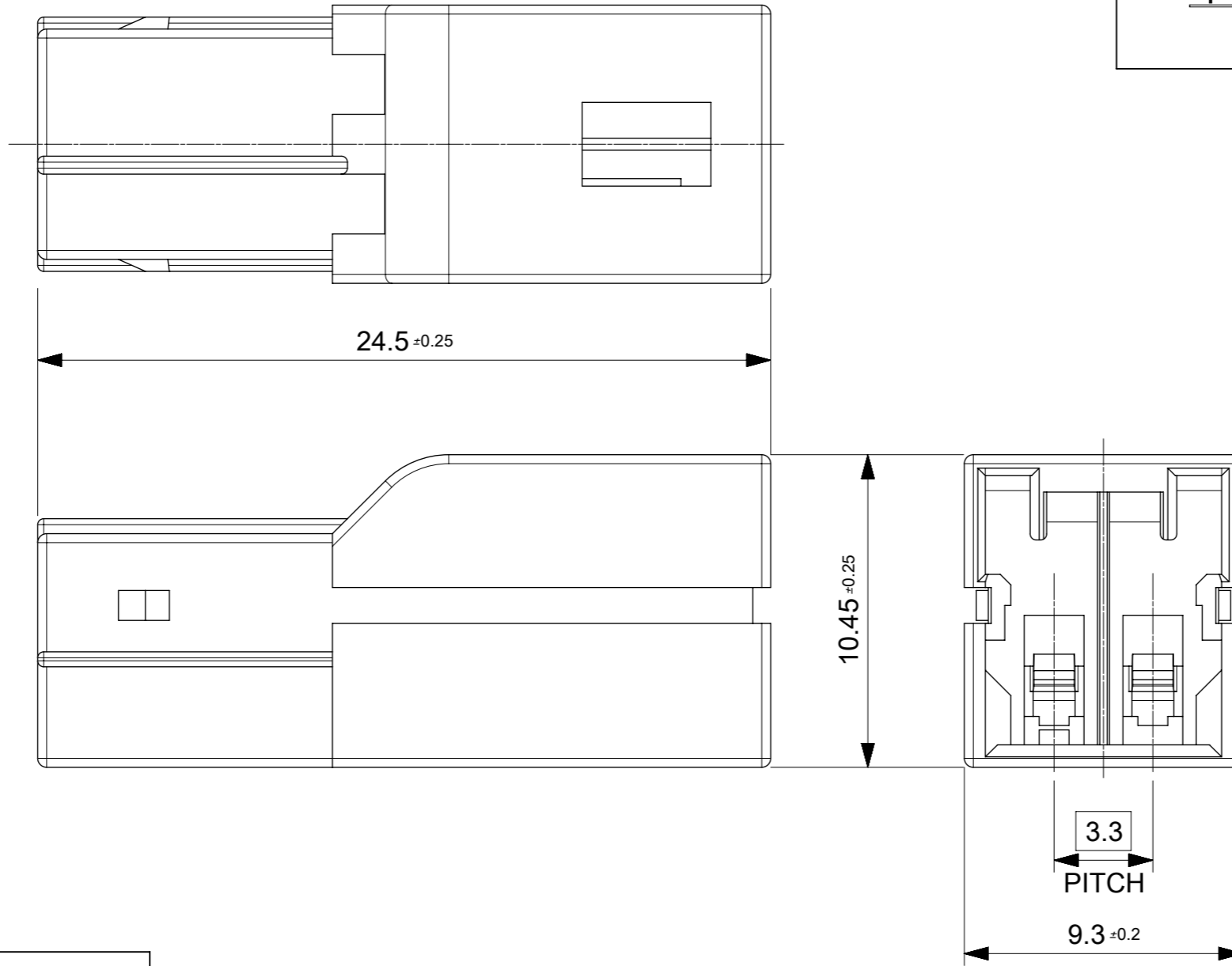
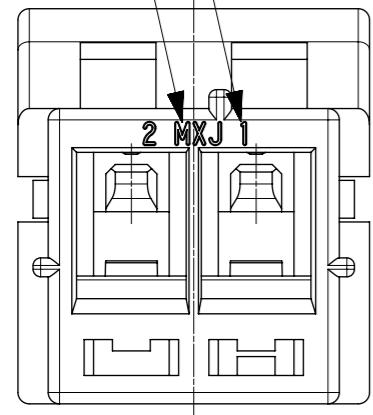


本形状は5013290200を示す。  
SHAPE OF 5013290200

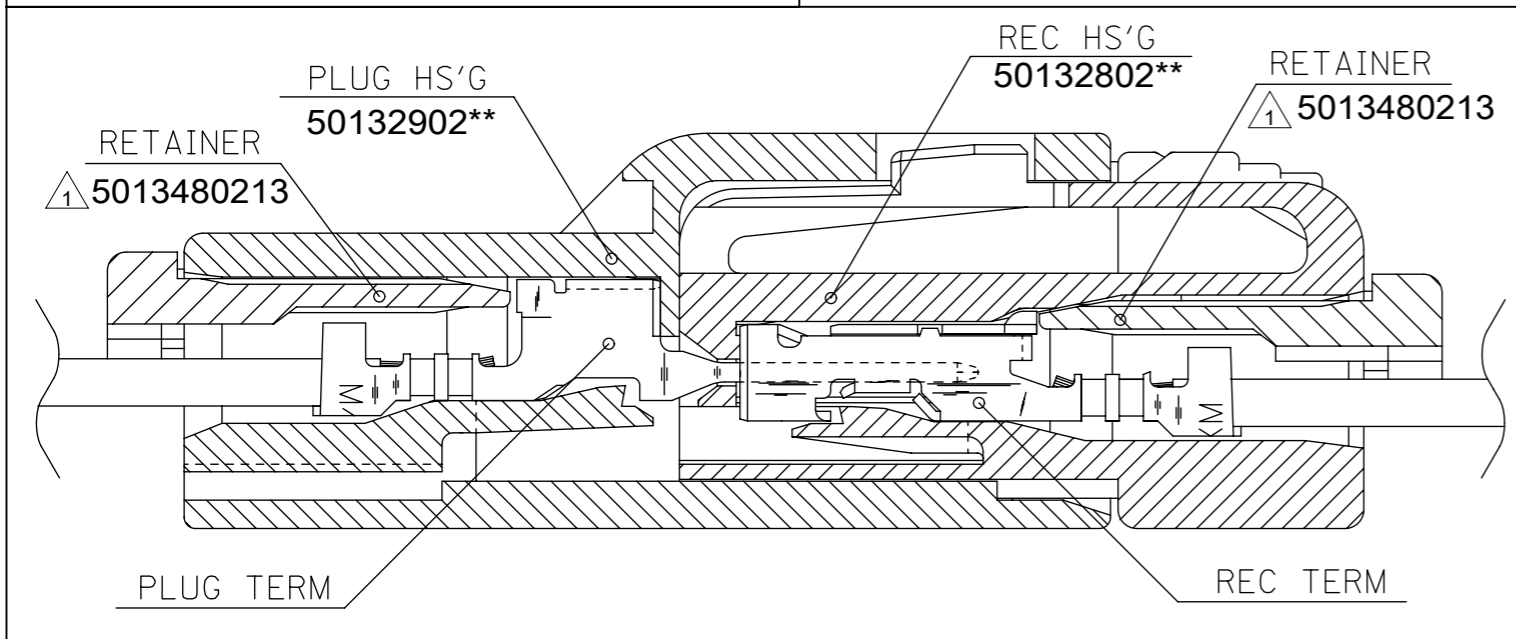
注記  
NOTES.

- △1 適合リテーナー : 513480213  
APPLICABLE RETAINER  
詳細はSD-51348-001を参照下さい  
REFERENCE:SD-51348-001
- 2.材料 : PA66,UL94V-0  
MATERIAL

回路番号  
CKT No.  
トレードマーク  
TRADE MARK.



ターミナル装着・嵌合状態  
TERMINAL ASSEMBLY & MATING CONDITION



BLACK	5013290231	50132902**
RED	5013290222	
BLUE	5013290214	
WHITE	5013290200	
COLOR	BAG PACKACE オーダー番号 ORDER No.	MODEL No.

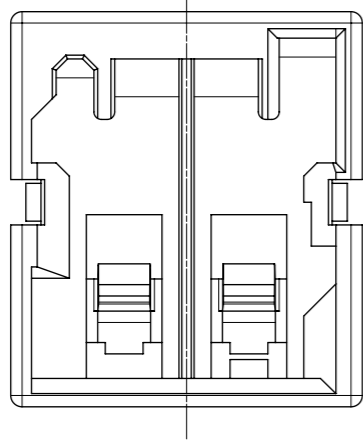
THIS DRAWING CONTAINS INFORMATION THAT IS PROPRIETARY TO MOLEX ELECTRONIC TECHNOLOGIES, LLC AND SHOULD NOT BE USED WITHOUT WRITTEN PERMISSION

2016/09/30 DRWN: KYAMADA02	2016/10/28 CHK'D: SAKIYAMA	2016/10/28 APPR: TKANEKO	GENERAL TOLERANCES (UNLESS SPECIFIED)	DIMENSION UNITS MM	SCALE 5:1
EC NO: 109842			ANGULAR TOL ± 3.0 °	DRWN BY KYAMADA02	DATE 2016/09/30
REV A			4 PLACES ± 0.2	CHK'D BY SAKIYAMA	DATE 2016/10/28
			3 PLACES ± 0.2	APPR BY TKANEKO	DATE 2016/10/28
			2 PLACES ± 0.2	DRAWING SIZE A3	THIRD ANGLE PROJECTION
			1 PLACE ± 0.25		
			0 PLACES ± 0.3		
			DRAFT WHERE APPLICABLE MUST REMAIN WITHIN DIMENSIONS		

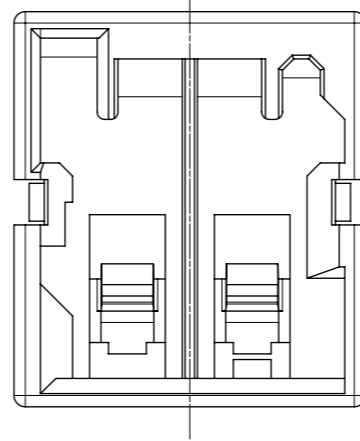
<b>molex</b>			
3.3 W/W SINGLE ROW PLUG HOUSING			
PRODUCT CUSTOMER DRAWING			
SERIES 501329	MATERIAL NUMBER	CUSTOMER GENERAL MARKET	
DOCUMENT NUMBER 5013292020		DOC TYPE PSD	DOC PART 000
		SHEET NUMBER 1 OF 2	

嵌合キー違い品  
KEYING TYPE.

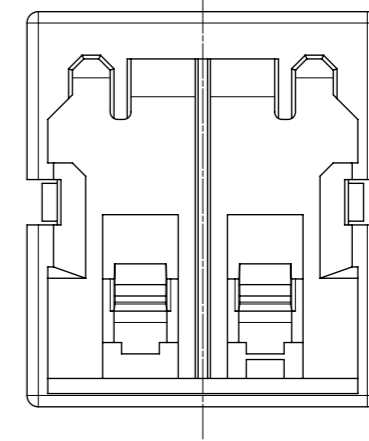
5013280214  
COLOR:BLUE



5013280222  
COLOR:RED



5013280231  
COLOR:BLACK



THIS DRAWING CONTAINS INFORMATION THAT IS PROPRIETARY TO MOLEX ELECTRONIC TECHNOLOGIES, LLC AND SHOULD NOT BE USED WITHOUT WRITTEN PERMISSION

EC NO: 109842 DRWN: KYAMADA02 CHK'D: SAKIYAMA APPR: TKANEKO	2016/09/30 2016/10/28 2016/10/28	GENERAL TOLERANCES (UNLESS SPECIFIED) ANGULAR TOL ± 3.0 °	DIMENSION UNITS MM	SCALE 5:1	<b>molex®</b>  3.3 W/W SINGLE ROW PLUG HOUSING										
	4 PLACES ± 0.2 3 PLACES ± 0.2 2 PLACES ± 0.2 1 PLACE ± 0.25 0 PLACES ± 0.3	DRWN BY KYAMADA02	DATE 2016/09/30	CHK'D BY SAKIYAMA					DATE 2016/10/28	PRODUCT CUSTOMER DRAWING					
	DRAFT WHERE APPLICABLE MUST REMAIN WITHIN DIMENSIONS	APPR BY TKANEKO	DATE 2016/10/28	DRAWING SIZE A3	THIRD ANGLE PROJECTION 	SERIES 501329	MATERIAL NUMBER 2020	CUSTOMER GENERAL MARKET	DOCUMENT NUMBER 5013292020	DOC TYPE PSD	DOC PART 000	SHEET NUMBER 2 OF 2			
	A	REV	DIMENSION UNITS MM	SCALE 5:1	PRODUCT CUSTOMER DRAWING				SERIES 501329	MATERIAL NUMBER 2020	CUSTOMER GENERAL MARKET	DOCUMENT NUMBER 5013292020	DOC TYPE PSD	DOC PART 000	SHEET NUMBER 2 OF 2
	RELEASE STATUS P1	RELEASE DATE 28.10.2016	10:49:40												