

**PLEASE CHECK WWW.MOLEX.COM FOR LATEST PART INFORMATION**

**Part Number:** **5019204001**  
**Status:** **Active**  
**Overview:** SlimStack™ 0.50mm Pitch Board-to-Board Connectors  
**Description:** 0.50mm Pitch SlimStack Board-to-Board Plug, Surface Mount, Dual Row, Vertical Stacking, 4.00mm Stack Height, without Solder Tabs, 40 Circuits

**Documents:**

[3D Model](#) [Product Specification PS-52991-008-001 \(PDF\)](#)  
[3D Model \(PDF\)](#) [Packaging Specification 5019209200-200 \(PDF\)](#)  
[Drawing \(PDF\)](#) [RoHS Certificate of Compliance \(PDF\)](#)

**Agency Certification**

UL E29179

**General**

Product Family PCB Headers  
Series [501920](#)  
Application Board-to-Board, Signal  
Overview [SlimStack™ 0.50mm Pitch Board-to-Board Connectors](#)  
Product Name SlimStack  
UPC 800756751757

**Physical**

Breakaway No  
Circuits (Loaded) 40  
Circuits (maximum) 40  
Color - Resin Black  
Durability (mating cycles max) 30  
Glow-Wire Capable No  
Guide to Mating Part No  
Keying to Mating Part None  
Lock to Mating Part None  
Mated Height 4.00mm  
Mated Width 5.40mm  
Material - Metal Copper Alloy  
Material - Plating Mating Gold  
Material - Plating Termination Tin  
Net Weight 122.900/mg  
Number of Rows 2  
Orientation Vertical  
PCB Locator No  
PCB Retention None  
Packaging Type Embossed Tape on Reel  
Pitch - Mating Interface 0.50mm  
Polarized to Mating Part No  
Polarized to PCB No  
Surface Mount Compatible (SMC) Yes  
Temperature Range - Operating -40° to +105°C  
Termination Interface: Style Surface Mount

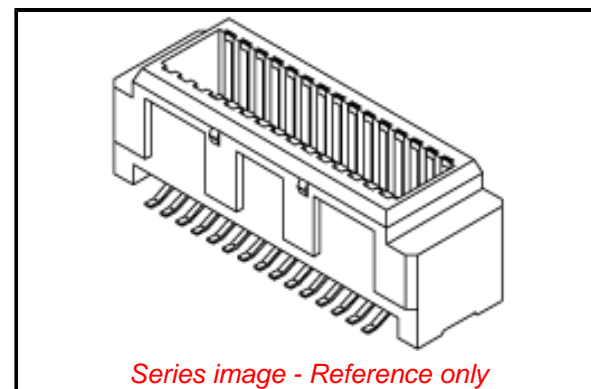
**Electrical**

Current - Maximum per Contact 0.5A  
Voltage - Maximum 50V AC (RMS)/DC

**Material Info**

**Reference - Drawing Numbers**

Packaging Specification 5019209200-200



Series image - Reference only

**EU ELV**

**Not Relevant**

**EU RoHS**

**Compliant**

**REACH SVHC**

Not Contained Per -  
D(2020)4578-DC (25  
June 2020)

**Halogen-Free**

**Status**

**Low-Halogen**

For more information, please visit [Contact US](#)

China ROHS

ELV

RoHS Phthalates

**China RoHS**

Green Image

Not Relevant

Not Contained

**Search Parts in this Series**

[501920](#) Series

**Mates With**

SlimStack Receptacle [52991](#) , [54167](#)

This document was generated on 07/24/2020

**PLEASE CHECK [WWW.MOLEX.COM](http://WWW.MOLEX.COM) FOR LATEST PART INFORMATION**