

PLEASE CHECK WWW.MOLEX.COM FOR LATEST PART INFORMATION

Part Number: [5031951100](#)
Status: **Active**
Description: Robot Conn 36P Plg Crimp Term Lse W/Plt

Documents:

[Drawing \(PDF\)](#) [Application Specification AS-58696-006-001 \(PDF\)](#)
[Application Specification AS-58696-005-001 \(PDF\)](#) [RoHS Certificate of Compliance \(PDF\)](#)

General

Product Family Crimp Terminals
 Series [503195](#)
 Crimp Quality Equipment Yes
 UPC 883906055035

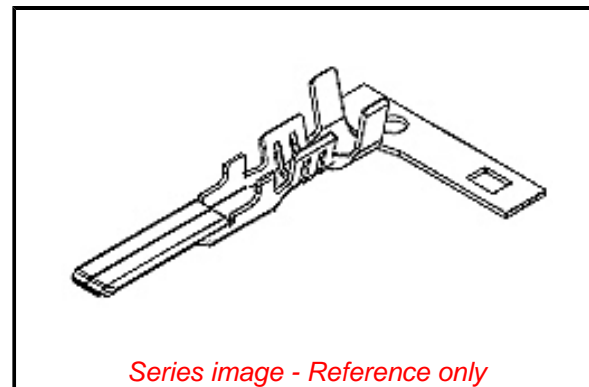
Physical

Net Weight 314.000/mg

Material Info

Reference - Drawing Numbers

Application Specification AS-58696-005-001, AS-58696-006-001
 Crimp Specification CS-503196-001-001
 Sales Drawing SD-503195-001



EU ELV

Not Relevant

EU RoHS

Compliant

REACH SVHC

Not Contained Per -
 D(2020)4578-DC (25
 June 2020)

Halogen-Free

Status

Low-Halogen

For more information, please visit [Contact US](#)

China ROHS

ELV

RoHS Phthalates

China RoHS

Green Image

Not Relevant

Not Contained

Search Parts in this Series

[503195 Series](#)

Application Tooling | FAQ

Tooling specifications and manuals are found by selecting the products below. Crimp Height Specifications are then contained in the Application Tooling Specification document.

Global

Description	Product #
Extractor Tool for Crimp Terminals	638136000
Hand Crimp Tool for 36P Robot Connector Plug and Receptacle Terminals	638239100

Japan

Description	Product #
Extractor Tool for Crimp Terminals	5780566000

PLEASE CHECK WWW.MOLEX.COM FOR LATEST PART INFORMATION