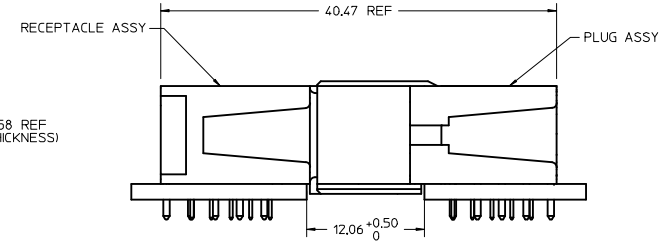
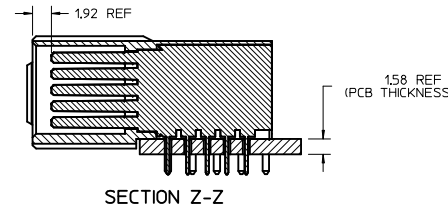
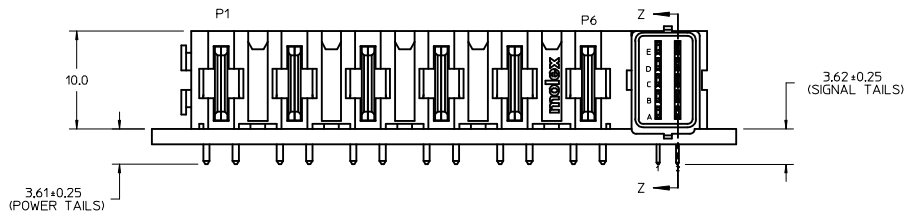
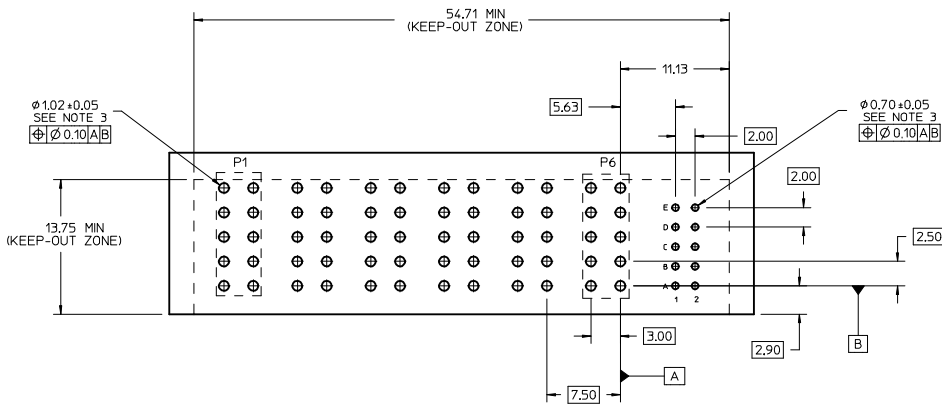


P/N: 46437-1478



MATED PROFILE



RECOMMENDED PCB LAYOUT AND KEEP-OUT ZONE

NOTES:

- MATERIAL:
 - HOUSINGS: LCP UL94, V-0, COLOR : BLACK
 - TERMINALS: HIGH CONDUCTIVITY COPPER ALLOY
 - PLATING: 1.27 MICROMETER (50 MICROINCH) NICKEL OVERALL WITH 2.54 MICROMETER (100 MICROINCH) SELECTIVE TIN ON TAILS AND 0.762 MICROMETER (30 MICROINCH) SELECTIVE GOLD ON CONTACT AREA
- PACKAGING: ASSEMBLIES TO BE TRAY PACKED PER PACKAGING SPEC: PK-46437-1003
- PLATED THRU HOLE SIZE. REFER TO PS-46436-100 FOR DETAILS
- PRODUCT SPEC: PS-46436-100
- APPLICATION SPEC: AS-46436-100
- PRODUCT TO MEET ROHS REQUIREMENTS
- ASSEMBLY MATES TO MOLEX RECEPTACLE ASSEMBLY 46436-1478
- TAIL DESIGN: SOLDER TAIL
- SIGNAL CONTACTS ARE LUBRICATED.

PRODUCTION RELEASE IEC NO: UCP2016-4593 DRAWN BY: DRWANK02 2016/05/26 CHECKED BY: CHYKHTHYAGARAJ 2016/05/26 APPR: SHWARG 2016/06/14	QUALITY SYMBOLS ▽=0 ▽=0 ▽=0	GENERAL TOLERANCES (UNLESS SPECIFIED)		DIMENSION STYLE MM ONLY	SCALE 4:1	DESIGN UNITS METRIC	THIRD ANGLE PROJECTION		
		4 PLACES ±--- ±---	3 PLACES ±--- ±---	2 PLACES ±0.13 ±---	1 PLACE ±0.25 ±---	ANGULAR ±1/2°	DRAWN BY: BPI SZCZOR 2012/12/07 CHECKED BY: BPI SZCZOR 2014/03/26 APPROVED BY: APATEL 2014/04/01	TITLE R/A PLUG ASSY 6AC-10S NO GUIDES TEN60 POWER FAMILY	MOLEX INCORPORATED
		DRAFT WHERE APPLICABLE MUST REMAIN WITHIN DIMENSIONS		MATERIAL NO. 46437-1478	DOCUMENT NO. SD-46437-1478	SHEET NO. 1 OF 1			
		THIS DRAWING CONTAINS INFORMATION THAT IS PROPRIETARY TO MOLEX INCORPORATED AND SHOULD NOT BE USED WITHOUT WRITTEN PERMISSION							