

PLEASE CHECK WWW.MOLEX.COM FOR LATEST PART INFORMATION

Part Number: [5005930300](#)
Status: **Active**
Overview: CP Wire-to-Board and Wire-to-Wire Connector Systems
Description: 2.50mm Pitch CP-2.5 Mini Wire-to-Wire Plug Housing, Single Row, 3 Circuits

Documents:

[3D Model](#) [Product Specification PS-500592-001-001 \(PDF\)](#)
[3D Model \(PDF\)](#) [Packaging Specification 5005939200-200 \(PDF\)](#)
[Drawing \(PDF\)](#) [RoHS Certificate of Compliance \(PDF\)](#)

General

Product Family Crimp Housings
 Series [500593](#)
 Application Signal, Wire-to-Wire
 Overview CP Wire-to-Board and Wire-to-Wire Connector Systems
 Product Name CP-2.5 Mini
 UPC 756054725016

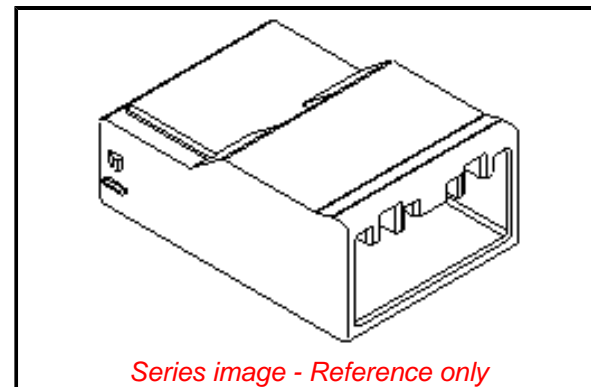
Physical

Circuits (maximum) 3
 Color - Resin Natural
 Gender Plug
 Glow-Wire Capable No
 Material - Resin Polyester
 Net Weight 1320.000/mg
 Number of Rows 1
 Packaging Type Bag
 Panel Mount No
 Pitch - Mating Interface 2.50mm
 Temperature Range - Operating -40° to +85°C

Material Info

Reference - Drawing Numbers

Packaging Specification [5005939200-200](#)
 Product Specification [PS-500592-001-001](#)
 Sales Drawing [SD-500593-001](#)



Series image - Reference only

EU ELV

Not Relevant

EU RoHS

Compliant

REACH SVHC

Not Contained Per -
 D(2020)4578-DC (25
 June 2020)

Halogen-Free

Status

Not Low-Halogen

For more information, please visit [Contact US](#)

China ROHS

ELV

RoHS Phthalates

China RoHS

Green Image

Not Relevant

Not Contained

Search Parts in this Series

[500593](#) Series

Mates With

CP-2.5 Mini Receptacle Housing [500592](#)

Use With

Male Crimp Terminal [50398](#)
 TPA
 Retainer [500817](#)

PLEASE CHECK WWW.MOLEX.COM FOR LATEST PART INFORMATION