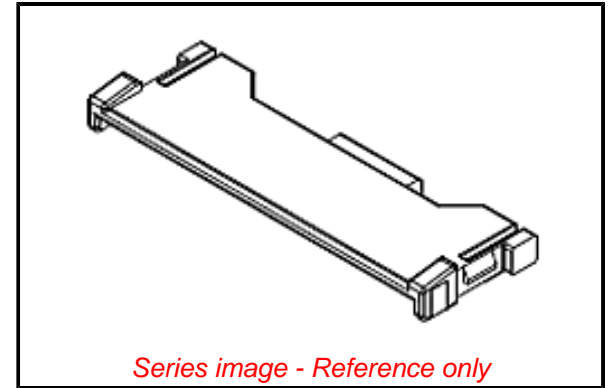


**PLEASE CHECK WWW.MOLEX.COM FOR LATEST PART INFORMATION**

**Part Number:** [5031505009](#)  
**Status:** **Active**  
**Description:** 0.50mm Pitch FFC-to-Board Connector, Plug Jacket, 50 Circuits

**Documents:**

<a href="#">3D Model</a>	<a href="#">Product Specification PS-501864-003-001 (PDF)</a>
<a href="#">3D Model (PDF)</a>	<a href="#">Application Specification 5017832000-A00 (PDF)</a>
<a href="#">Drawing (PDF)</a>	<a href="#">Packaging Specification SPK-503150-001-001 (PDF)</a>
<a href="#">Product Specification PS-501786-003-001 (PDF)</a>	<a href="#">RoHS Certificate of Compliance (PDF)</a>
<a href="#">Product Specification PS-501786-004-001 (PDF)</a>	



**General**

Product Family	Accessories
Series	<a href="#">503150</a>
Comments	Requires a custom FFC with notches
Component Type	Jacket
Product Name	N/A
UPC	800756937618

**Physical**

Circuits (Loaded)	50
Circuits (maximum)	50
Color - Resin	Black
Gender	Plug
Material - Resin	Polyester
Net Weight	562.000/mg
Packaging Type	Bag
Polarized to Mating Part	Yes
Temperature Range - Operating	-40° to +105°C

**Electrical**

Current - Maximum per Contact	0.5A
-------------------------------	------

**Material Info**

**Reference - Drawing Numbers**

Application Specification	5017832000-A00
Packaging Specification	SPK-503150-001-001
Product Specification	PS-501786-003-001, PS-501786-004-001, PS-501864-003-001
Sales Drawing	SD-503150-001

**EU ELV**

**Not Relevant**

**EU RoHS**

**Compliant**

**REACH SVHC**

Not Contained Per -  
D(2020)4578-DC (25  
June 2020)

**Halogen-Free**

**Status**

**Not Low-Halogen**

For more information, please visit [Contact US](#)

China ROHS

ELV

RoHS Phthalates

**China RoHS**

Green Image

Not Relevant

Not Contained

**Search Parts in this Series**

[503150](#) Series

**Use With**

[501786](#) FFC-to-Board Connector, [501864](#)  
FFC-to-Board Connector, [503151](#) Plug  
Jacket Cover