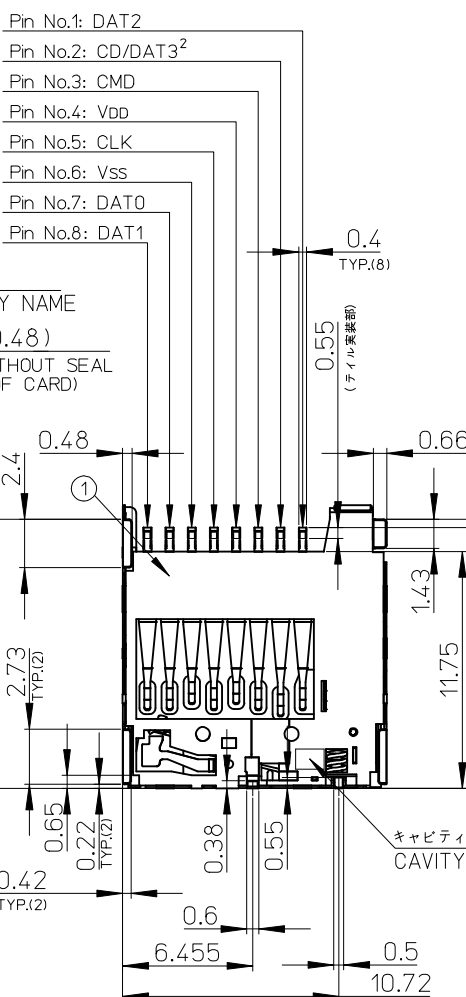
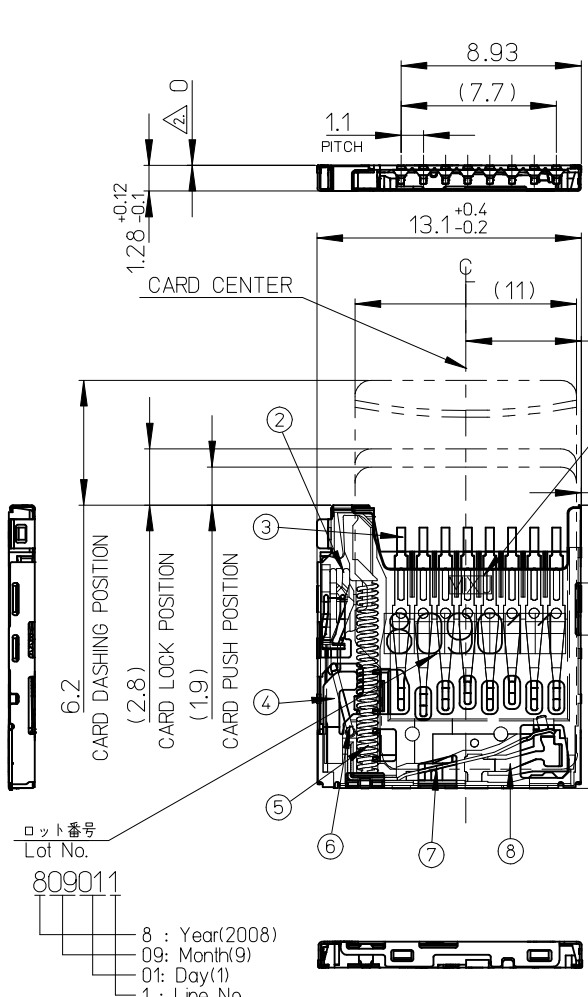


CONFIDENTIAL



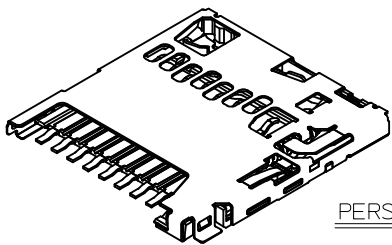
番号 NO.	名称 NAME	材料 MATERIAL	仕上げ(めっき) FINISHES (PLATING)
①	ハウジング HOUSING	液晶ポリマー(LCP)、ガラス充填、UL94 V-0、黒 LIQUID CRYSTAL POLYMER (LCP), GLASS FILLED, UL94 V-0, BLACK	
②	カムスライダー CAM SLIDER	液晶ポリマー(LCP)、ガラス充填、UL94 V-0、黒 LIQUID CRYSTAL POLYMER (LCP), GLASS FILLED, UL94 V-0, BLACK	
③	ターミナル TERMINAL	燐青銅 PHOSPHOR BRONZE	接触部: 金めっき (0.5µm MIN.) テール部: 錫めっき (2.0µm MIN.) 下地: ニッケルめっき (1.0µm MIN.) CONTACT AREA: GOLD PLATING (0.5 MICROMETER MINIMUM.) SOLDER TAIL AREA: TIN PLATING (2.0 MICROMETER MINIMUM.) UNDERPLATE: NICKEL OVERALL (1.0 MICROMETER MINIMUM.)
④	シェル SHELL	ステンレス鋼 STAINLESS STEEL	下地: ニッケルめっき NAIL AREA: GOLD PLATING UNDERPLATE: NICKEL OVERALL
⑤	スプリング SPRING	ピアノ線 SWP	全面: ニッケルめっき NICKEL OVERALL
⑥	ピン PIN	ステンレス鋼 STAINLESS STEEL	
⑦	ディテクトレバー DETECT LEVER	燐青銅 PHOSPHOR BRONZE	接触部: 金めっき (0.2µm MIN.) 基板実装部: 金めっき 下地: ニッケルめっき CONTACT AREA: GOLD PLATING (0.2 MICROMETER MINIMUM.) NAIL AREA: GOLD PLATING UNDERPLATE: NICKEL OVERALL
⑧	ディテクトスイッチ DETECT SWITCH	燐青銅 PHOSPHOR BRONZE	接触部: 金めっき (0.2µm MIN.) 基板実装部: 金めっき 下地: ニッケルめっき CONTACT AREA: GOLD PLATING (0.2 MICROMETER MINIMUM.) NAIL AREA: GOLD PLATING UNDERPLATE: NICKEL OVERALL

Pin No.1: DAT2
Pin No.2: CD/DAT3²
Pin No.3: CMD
Pin No.4: Vdd
Pin No.5: CLK
Pin No.6: Vss
Pin No.7: DAT0
Pin No.8: DAT1

NOTES

- ターミナル及びネイルの平坦度は 0.1 MAX. (測定用定板面を基準)
TERMINAL AND NAIL COPLANARITY TO BE 0.1 MAX.(FROM GAUGE PLANE)
 - △ スタンドオフ寸法 STAND OFF
 - △ パターン禁止エリア PATTERN PROHIBITION AREA
 - カード検知スイッチ DETECT SWITCH
- | | |
|--------------------------------|------------|
| カード挿入時 CARD INSERTING POSITION | クローズ CLOSE |
| カード未挿入時 NO CARD | オープン OPEN |
- 肉抜き位置は任意とする。CAVITY IS TO BE OPTIONAL.
 - ロット印字は任意とする。LOT NUMBERING IS TO BE OPTIONAL.
 - △ GND 推奨パターン GND RECOMMENDED PATTERN.
 8. ELV 及び RoHS 適合品 ELV AND RoHS COMPLIANT.
 - △ カード裏挿し誤挿入時、カード突出エリア (他の部品の設置、非推奨範囲)
WHEN A CARD IS MISS-MATED IN THE REVERSE ORIENTATION, PART OF THE CARD PROTRUDES FROM THE SHELL DUE TO THE CARD-MISS MATING PREVENTION FEATURE. THEREFORE, NO COMPONENTS ARE ALLOWED TO BE PLACED IN THIS AREA.

ロット番号 Lot No.
809011
8 : Year(2008)
09: Month(9)
01: Day(1)
1 : Line No.

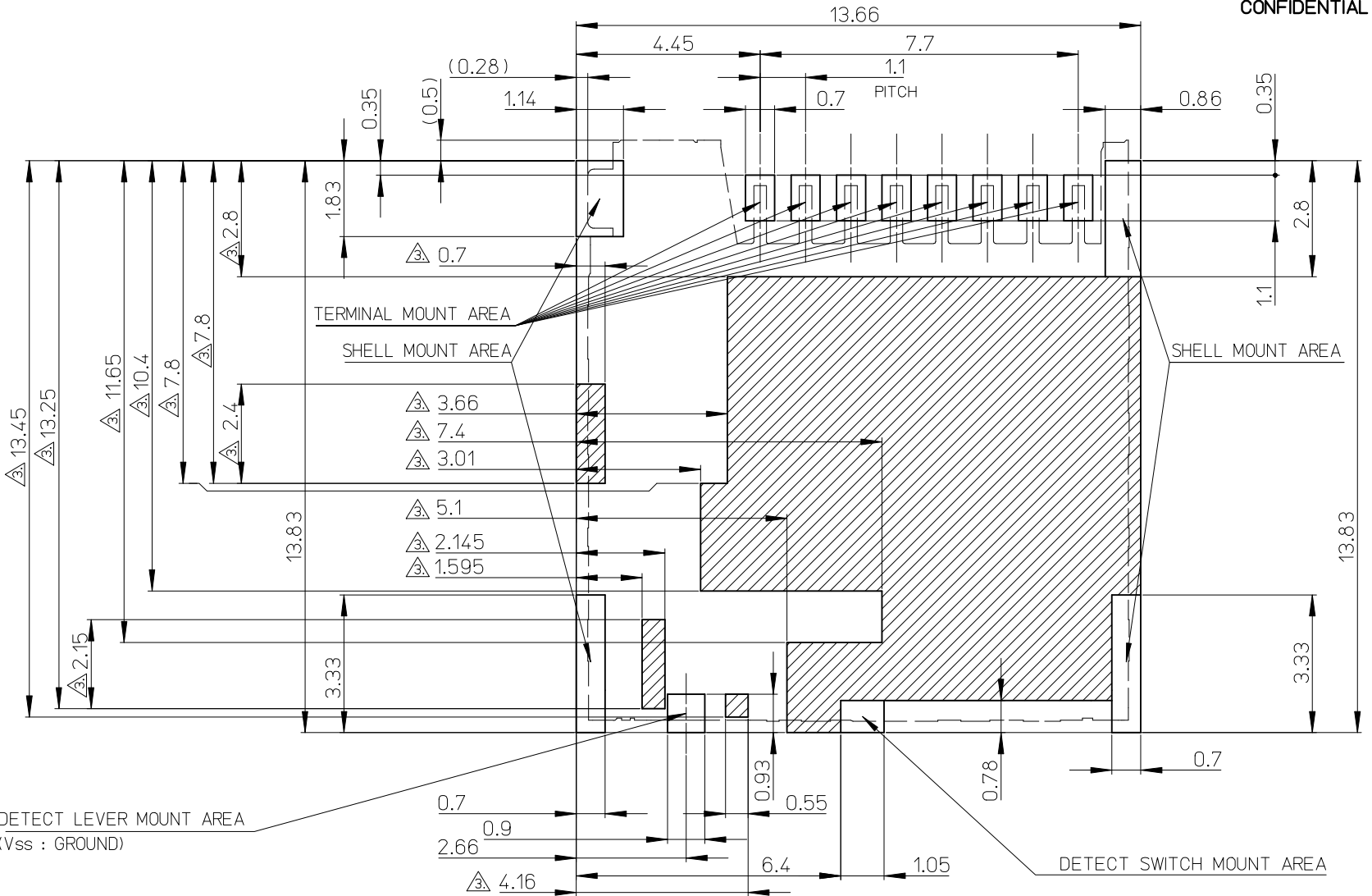


PERSPECTIVE VIEW

503398-0891	8
EMBOSSD PACKAGE	極数
オーダー番号 ORDER NO.	CIRCUITS
CONNECTOR SERIES No. 503398-0811	

PROPOSED EC NO: J22010-000000 DRWN: YMATSUMOTO 2009/09/17 CHKD: MTOMITA 2009/09/17 APPR: NUKITA 2009/09/17	DESCRIPTION REV: O	GENERAL TOLERANCES (UNLESS SPECIFIED)	DIMENSION STYLE MM ONLY	SCALE 4:1	DESIGN UNITS METRIC	THIRD ANGLE PROJECTION
		10 UNDER ±0.2 10 OVER 30 UNDER ±0.25 30 OVER ±0.3	DRAWN BY DATE YMATSUMOTO 2009/09/09	TITLE MICRO SD CONN. PUSH/PUSH & NORMAL SUPER-SMALL TYPE		
ANGULAR ±1 ° DRAFT WHERE APPLICABLE MUST REMAIN WITHIN DIMENSIONS		CHECKED BY DATE MTOMITA 2009/09/09	APPROVED BY DATE NUKITA 2009/09/09	MOLEX MOLEX INCORPORATED		
SIZE A3		MATERIAL NO. SEE CHART		DOCUMENT NO. SD-503398-001	SHEET NO. 1 OF 2	

CONFIDENTIAL



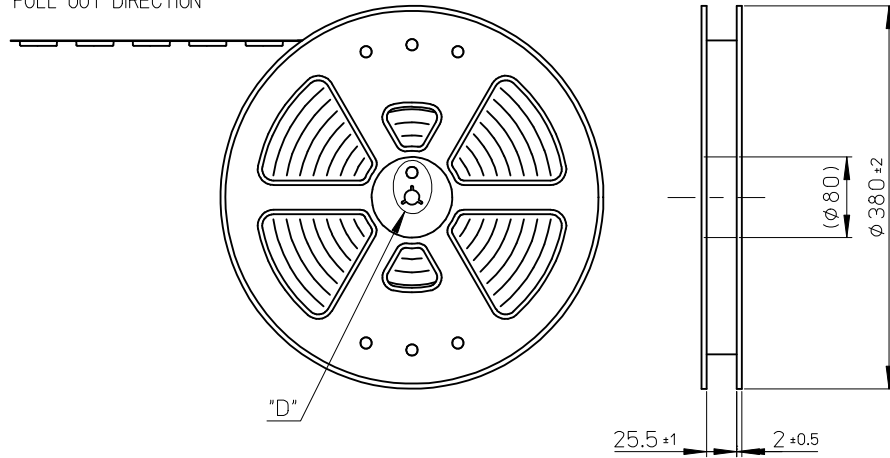
RECOMMENDED
PCB PATTERN LAYOUT
(GENERAL TOLERANCE : ±0.05)

PROPOSED EC NO: JZ0100-000000 DRWN: YMATSUMOTO 2009/09/17 CHKD: MTOMITA 2009/09/17 APPR: NUKITA 2009/09/17	GENERAL TOLERANCES (UNLESS SPECIFIED)		DIMENSION STYLE MM ONLY		SCALE 4:1	DESIGN UNITS METRIC	THIRD ANGLE PROJECTION		
	10 UNDER ±0.2	10 OVER 30 UNDER ±0.25	30 OVER ±0.3	DRAWN BY YMATSUMOTO	DATE 2009/09/09	TITLE MICRO SD CONN. PUSH/PUSH & NORMAL SUPER-SMALL TYPE			
	ANGULAR ±1 °			CHECKED BY MTOMITA	DATE 2009/09/09	APPROVED BY NUKITA			
	DRAFT WHERE APPLICABLE MUST REMAIN WITHIN DIMENSIONS			APPROVED BY NUKITA	DATE 2009/09/09	MATERIAL NO. SEE CHART		DOCUMENT NO. SD-503398-001	
				SIZE A3	THIS DRAWING CONTAINS INFORMATION THAT IS PROPRIETARY TO MOLEX INCORPORATED AND SHOULD NOT BE USED WITHOUT WRITTEN PERMISSION				

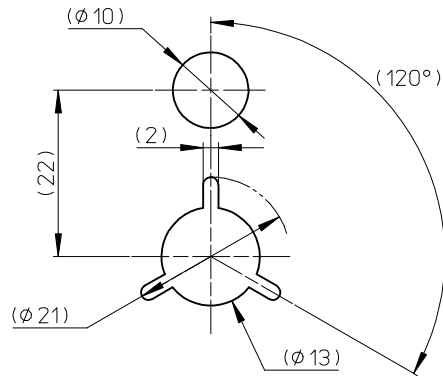
NOTES

- 製品詳細寸法については、SD 図面を参照下さい。
RE DETAILED DIMENSION, SEE SALES DRAWING.
- 梱包数量：2400個/リール
NUMBER OF CONNECTORS：2400 PCS/REEL.
- リードテープ長さ LEAD TAPE LENGTH.

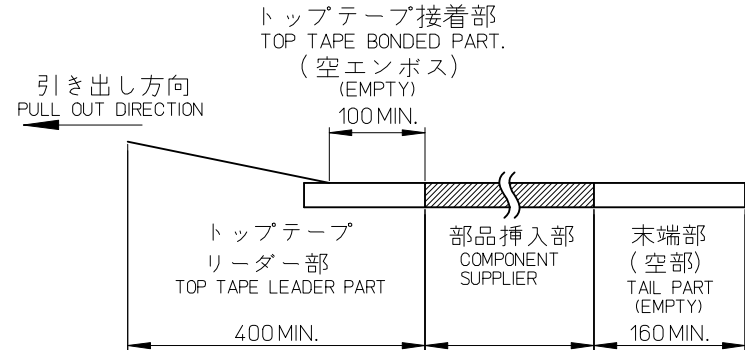
引き出し方向
PULL OUT DIRECTION



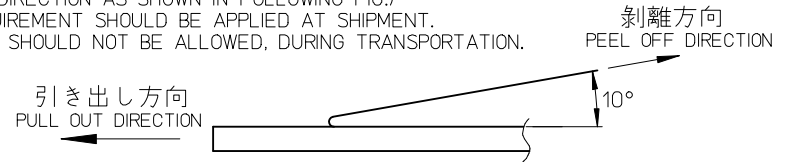
"D"



DETAIL "D"



- トップテープの剥離強度：JIS C0806-3に準拠(剥離方向は下図参照)尚、本規格値は出荷時に適用。(但し、輸送時に剥離が発生しないこと。)
PEELING OFF FORCE OF TOP TAPE : BASED UPON JIS C0806-3 (PEELING DIRECTION AS SHOWN IN FOLLOWING FIG.) THIS REQUIREMENT SHOULD BE APPLIED AT SHIPMENT. PEEL OFF SHOULD NOT BE ALLOWED, DURING TRANSPORTATION.

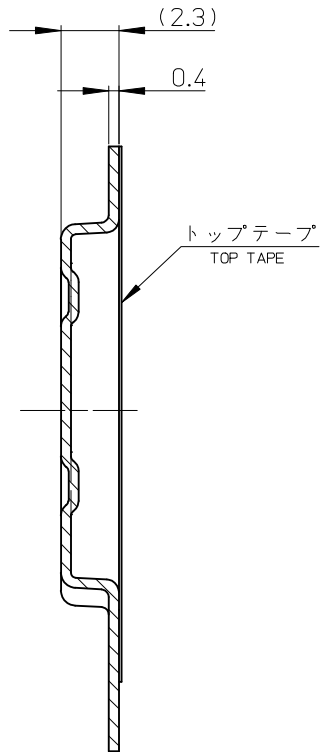


- 材料 MATERIAL
キャリアテープ (CARRIER TAPE) : ポリスチレン (POLYSTYRENE)
トップテープ (TOP TAPE) : PET, PE, PEF
リール (REEL) : ポリスチレン(PS) <リサイクル材含む>
POLYSTYRENE (PS) <RECYCLE MATERIAL CONTAINED>

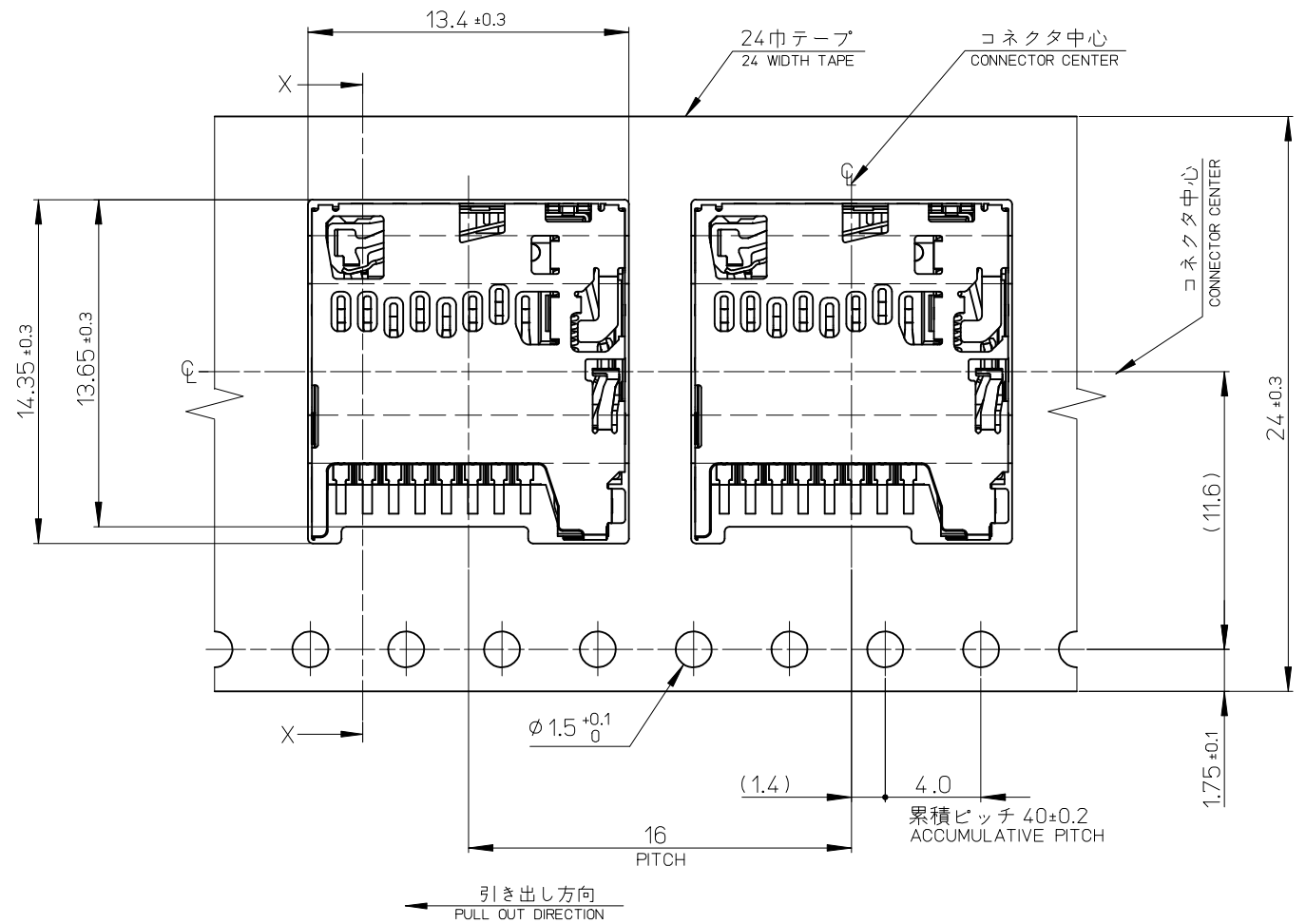
503398-0891	8
EMBOSSED PACKAGE	極数
オーダー番号 ORDER NO.	CIRCUITS
CONNECTOR SERIES No. 503398-0811	

PROPOSED EC NO: J2010-0539 DRWN: YMATSUMOTO 2009/09/17 CHKD: YMATSUMOTO 2009/09/17 APPR: NUKITA 2009/09/17 REV: 0	DESCRIPTION GENERAL TOLERANCES (UNLESS SPECIFIED)	10 UNDER	± 0.2	DIMENSION STYLE MM ONLY	SCALE 4:1	DESIGN UNITS METRIC	THIRD ANGLE PROJECTION
		10 OVER 30 UNDER	± 0.25				
		30 OVER	± 0.3				
		ANGULAR $\pm 1^\circ$					
DRAFT WHERE APPLICABLE MUST REMAIN WITHIN DIMENSIONS				TITLE EMBOSSED TAPE PACKAGE FOR 503398-08**		MOLEX INCORPORATED	
				DRAWN BY DATE YMATSUMOTO 2009/02/02		DOCUMENT NO. SD-503398-002	
				CHECKED BY DATE MTOMITA 2009/02/02		SHEET NO. 1 OF 2	
				APPROVED BY DATE NUKITA 2009/02/02		SEE CHART	
				MATERIAL NO.		THIS DRAWING CONTAINS INFORMATION THAT IS PROPRIETARY TO MOLEX INCORPORATED AND SHOULD NOT BE USED WITHOUT WRITTEN PERMISSION	

10 9 8 7 6 5 4 3 2 1



SECTION X-X



PROPOSED EC NO: J2010-015339 DRWN: YMATSUMOTO 2009/09/17 CHKD: YMATSUMOTO 2009/09/17 APPR: NUKITA 2009/09/17	GENERAL TOLERANCES (UNLESS SPECIFIED)		DIMENSION STYLE MM ONLY	SCALE 5:1	DESIGN UNITS METRIC	THIRD ANGLE PROJECTION
	10 UNDER	± 0.2	DRAWN BY YMATSUMOTO	DATE 2009/02/02	TITLE EMBOSSED TAPE PACKAGE FOR 503398-08**	
	10 OVER 30 UNDER	± 0.25	CHECKED BY MTOMITA	DATE 2009/02/02		
	30 OVER	± 0.3	APPROVED BY NUKITA	DATE 2009/02/02	MOLEX INCORPORATED DOCUMENT NO. SD-503398-002 SHEET NO. 2 OF 2	
	ANGULAR ± 1 °		MATERIAL NO. SEE CHART	THIS DRAWING CONTAINS INFORMATION THAT IS PROPRIETARY TO MOLEX INCORPORATED AND SHOULD NOT BE USED WITHOUT WRITTEN PERMISSION		
DRAFT WHERE APPLICABLE MUST REMAIN WITHIN DIMENSIONS		SIZE A3				