

5-160432-3 ✓ ACTIVE

FASTON | FASTON 250

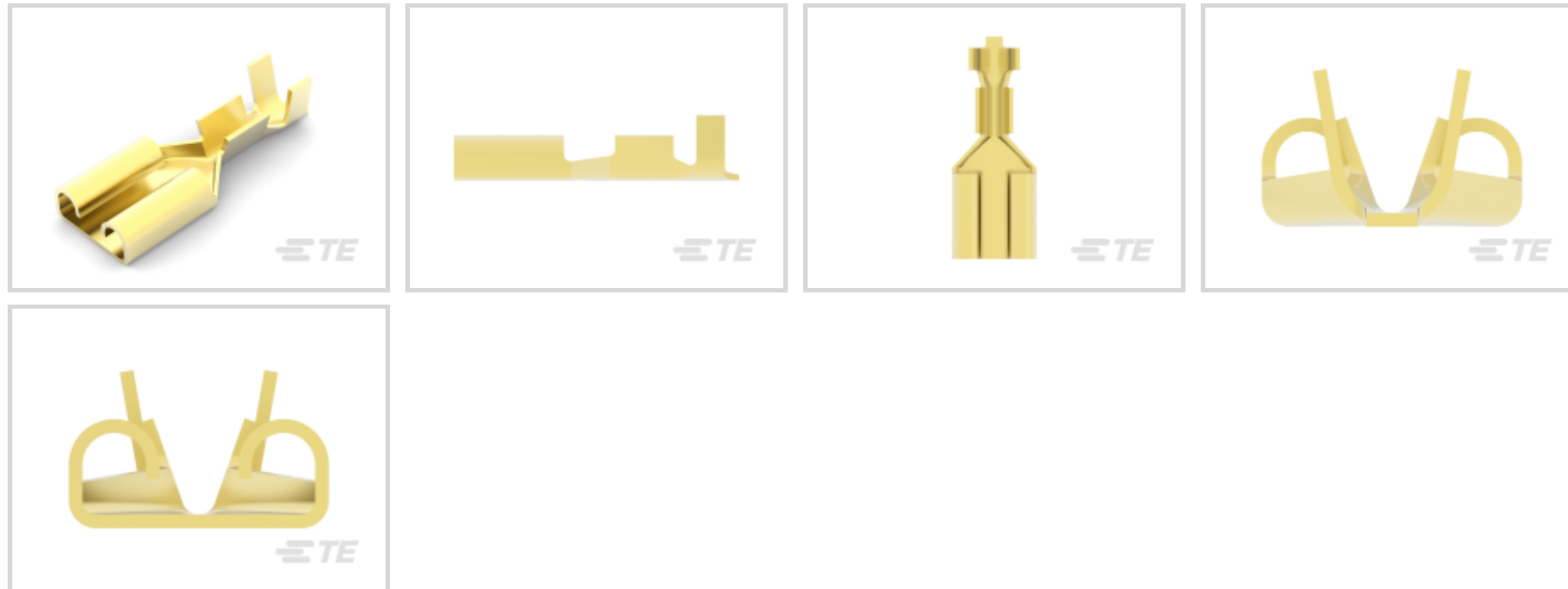
TE Internal #: 5-160432-3

Quick Disconnects, Receptacle, 20 – 16 AWG Wire Size, .51 – 1.65 mm² Wire Size, Mating Tab Width .25 in [6.35 mm], Straight, Brass, FASTON 250

[View on TE.com >](#)



Terminals & Splices > Quick Disconnects



Quick Disconnect Terminal Type: **Receptacle**

Wire Size: .51 – 1.65 mm²

Mating Tab Width: 6.35 mm [.25 in]

Mating Tab Thickness: .81 mm [.032 in]

Features

Product Type Features

Terminates To	Wire & Cable
Wire/Cable Type	Regular Wire
Wire Stop	No
Insertion Force	Normal
Sealable	No

Configuration Features

Connection Capacity	Single
---------------------	--------

Contact Features

Quick Disconnect Terminal Type	Receptacle
Mating Tab Width	6.35 mm [.25 in]
Mating Tab Thickness	.81 mm [.032 in]
Terminal Orientation	Straight
Contact Base Material	Brass
Terminal Plating Material	Unplated
Crimp Type	F-Crimp



Barrel Type	Open
-------------	------

Mechanical Attachment

Mating Retention Type	Dimple
Extraction Force	80 Newton
Wire Insulation Support	With

Dimensions

Accepts Wire Insulation Diameter Range	2.3 – 3.3 mm [.09 – .13 in]
Receptacle Terminal Stock Thickness	.41 mm [.016 in]
Overall Length	19 mm [.748 in]
Wire Size	.51 – 1.65 mm ²

Usage Conditions

Insulation Option	Uninsulated
Operating Temperature Range	-40 – 110 °C [-40 – 230 °F]

Industry Standards

CSA Certified	Yes
UL Rating	Listed

Packaging Features

Packaging Quantity	12000
Packaging Method	Strip/Reel

Other

Line	Premier
Comment	Reeled with interleaving paper strip.

Product Compliance

[For compliance documentation, visit the product page on TE.com>](#)

EU RoHS Directive 2011/65/EU	Compliant
EU ELV Directive 2000/53/EC	Compliant
China RoHS 2 Directive MIIT Order No 32, 2016	No Restricted Materials Above Threshold
EU REACH Regulation (EC) No. 1907/2006	Current ECHA Candidate List: JUNE 2022 (224) Candidate List Declared Against: JAN 2022 (223) SVHC > Threshold: Not Yet Reviewed



Halogen Content

Low Halogen - Br, Cl, F, I < 900 ppm per homogenous material. Also BFR/CFR/PVC Free

Solder Process Capability

Not applicable for solder process capability

Product Compliance Disclaimer

This information is provided based on reasonable inquiry of our suppliers and represents our current actual knowledge based on the information they provided. This information is subject to change. The part numbers that TE has identified as EU RoHS compliant have a maximum concentration of 0.1% by weight in homogenous materials for lead, hexavalent chromium, mercury, PBB, PBDE, DBP, BBP, DEHP, DIBP, and 0.01% for cadmium, or qualify for an exemption to these limits as defined in the Annexes of Directive 2011/65/EU (RoHS2). Finished electrical and electronic equipment products will be CE marked as required by Directive 2011/65/EU. Components may not be CE marked. Additionally, the part numbers that TE has identified as EU ELV compliant have a maximum concentration of 0.1% by weight in homogenous materials for lead, hexavalent chromium, and mercury, and 0.01% for cadmium, or qualify for an exemption to these limits as defined in the Annexes of Directive 2000/53/EC (ELV). Regarding the REACH Regulation, the information TE provides on SVHC in articles for this part number is based on the latest European Chemicals Agency (ECHA) 'Guidance on requirements for substances in articles' posted at this URL: <https://echa.europa.eu/guidance-documents/guidance-on-reach>

Compatible Parts



TE Part # 180388-2
250 FASTON,REC.,20-16 AWG,TPBR



TE Part # 63648-1
250 FASTON FLAG REC 20-14 AWG BR



TE Part # 190735-7
250 FASTON,FLAG,REC.,20-16 AWG, PTBR



TE Part # 2-2150082-1
OCEAN_2.0_APPLICATIONER-E-090F130F



TE Part # 2-2150082-2
OCEAN_2.0_APPLICATIONER-E-090F130FA



TE Part # 2150082-1
OCEAN_2.0_APPLICATIONER-E-090F130F



TE Part # 2150082-2
OCEAN_2.0_APPLICATIONER-E-090F130FA



TE Part # 7-2150082-1
OCEAN_2.0_APPLICATIONER-E-090F130F



TE Part # 7-2150082-2
OCEAN_2.0_APPLICATIONER-E-090F130FA



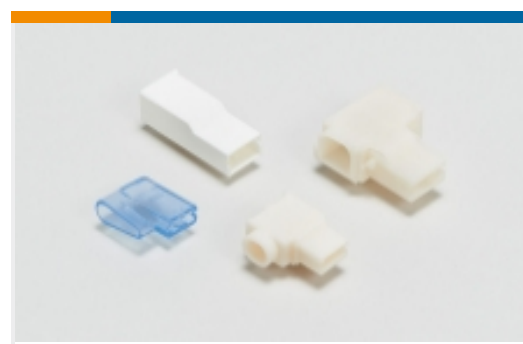
KIT
REPRESENTATION ONLY

TE Part # 7-2150082-7
OCEAN_2.0_SPARE_PART_KIT-090F130F

Also in the Series | **FASTON 250**



Compression Connectors(4)



Crimp Terminal Housings(143)



Insertion & Extraction Tools(6)



Magnet Wire Terminals(1)



PCB Terminals(144)



Quick Disconnects(456)

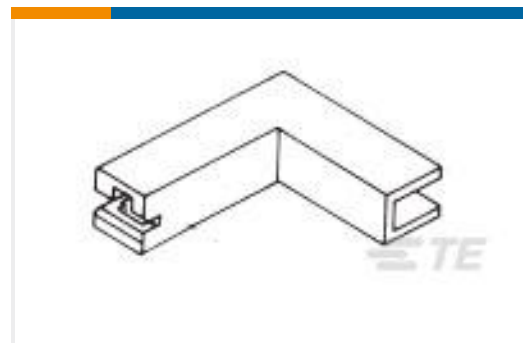


Splices(4)

Customers Also Bought



TE Part #6609006-5
3EEJ1=F8009 S0



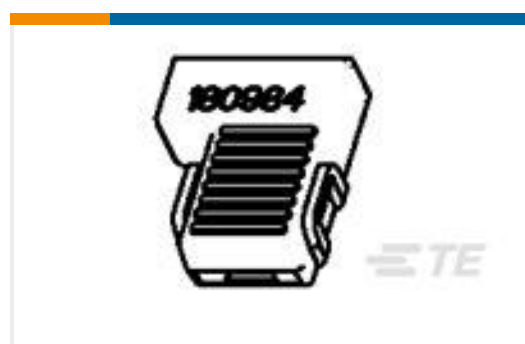
TE Part #360040-1
110 FASTON HSG.,FLAG,REC.,1 POS,
NATRUAL



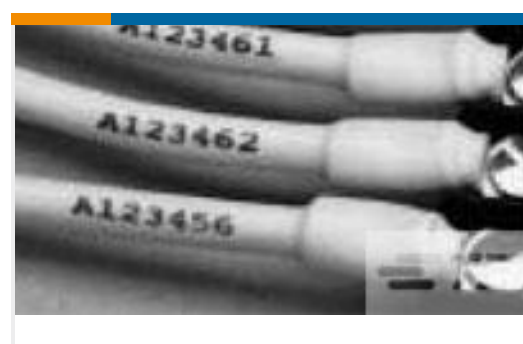
TE Part #4-2176330-7
CRGP 2010 68K 1%



TE Part #521600-2
ULTRA-POD 187 ASY REC 22-18 AWG
TPBR



TE Part #7-180984-5
250 FASTON BOOT FLAG REC. 1P
BLACK



TE Part #5052974021
RNF-100-3/32-6-SP



TE Part #316292-2
3.2 CLUSTER REC L-TYPE



TE Part #968807-9
3POS MQS REC COD Z

Documents

Product Drawings

250 FASTON REC 20-16 AWG BR

English

CAD Files

3D PDF

3D

Customer View Model

ENG_CVM_CVM_5-160432-3_AY_c-5-160432-3-ay.2d_dxf.zip



English

Customer View Model

[ENG_CVM_CVM_5-160432-3_AY_c-5-160432-3-ay.3d_igs.zip](#)

English

Customer View Model

[ENG_CVM_CVM_5-160432-3_AY_c-5-160432-3-ay.3d_stp.zip](#)

English

By downloading the CAD file I accept and agree to the [Terms and Conditions](#) of use.

Datasheets & Catalog Pages

[1654742_HOUSEHOLD_APPLIANCES_RAST5](#)

English

Product Specifications

[Application Specification](#)

English

Product Environmental Compliance

[TE Material Declaration](#)

English

Agency Approvals

[VDE Certificate](#)

English