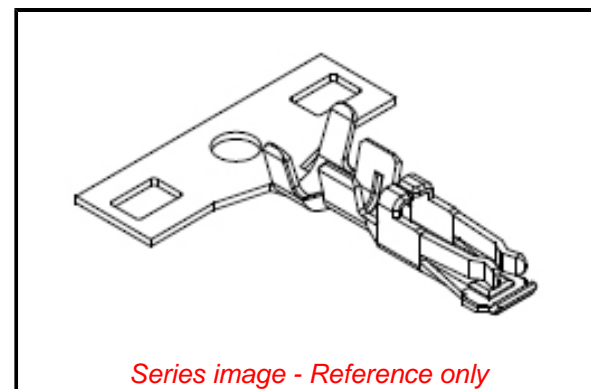


PLEASE CHECK WWW.MOLEX.COM FOR LATEST PART INFORMATION

Part Number: [5036571100](#)
Status: **Active**
Overview: [Micro-Lock™ Connectors](#)
Description: Micro-Lock 2.00mm Wire-to-Board Crimp Terminal, 22 - 26 AWG, Loose, 5036571100
Replacement Part Number: <http://www.molex.com/molex/products/listview.jsp?channel=Products&sType=p&query=5055721000505572-1000> see comments

Documents:

[Drawing \(PDF\)](#) [Application Specification AS-503658-001-001 \(PDF\)](#)
[Product Specification PS-503658-001-001 \(PDF\)](#) [RoHS Certificate of Compliance \(PDF\)](#)
[Product Specification PS-504054-001-001 \(PDF\)](#)



General

Product Family	Crimp Terminals
Series	503657
Application	Power, Signal
Comments	Micro Lock Plus offers higher specification, soldering change from DIP to SMT, size becomes bigger
Crimp Quality Equipment	Yes
Overview	Micro-Lock™ Connectors
Product Name	Micro-Lock
Replacement Part Number	505572-1000 see comments
UPC	884982339569

Physical

Durability (mating cycles max)	30
Gender	Female
Material - Metal	Copper Alloy
Material - Plating Mating	Tin
Net Weight	40.500/mg
Packaging Type	Reel
Wire Insulation Diameter	0.9-1.5
Wire Size AWG	22, 24, 26
Wire Size mm ²	0.126-0.34

Electrical

Current - Maximum per Contact	3.0A
Voltage - Maximum	250V

Material Info

Reference - Drawing Numbers

Application Specification	AS-503658-001-001
Crimp Specification	CS-503657-001-001
Product Specification	PS-503658-001-001, PS-504054-001-001
Sales Drawing	SD-503657-001

EU ELV

Not Relevant

EU RoHS

Compliant

REACH SVHC

Not Contained Per - ED/61/2018 (27 June 2018)

Halogen-Free

Status

Low-Halogen

Need more information on product environmental compliance?

Email productcompliance@molex.com
Please visit the [Contact Us](#) section for any non-product compliance questions.

China ROHS	Green Image
ELV	Not Relevant
RoHS Phthalates	Not Contained

Search Parts in this Series

[503657](#) Series

Use With

[503658](#) Micro-Lock Wire-to-Board Crimp Housing