

**PLEASE CHECK WWW.MOLEX.COM FOR LATEST PART INFORMATION**

**Part Number:** [5018643091](#)  
**Status:** **Active**  
**Overview:** Easy-On FFC FPC Connectors  
**Description:** 0.50mm Pitch Easy-On FFC/FPC-to-Board Connector, Receptacle Housing Assembly, Right-Angle, Surface Mount, with Grounding Terminals, Gold (Au) Plating, 30 Circuits

**Documents:**

[3D Model](#) [Product Specification PS-501864-004-001 \(PDF\)](#)  
[3D Model \(PDF\)](#) [Packaging Specification 5018649200-SPK-200 \(PDF\)](#)  
[Drawing \(PDF\)](#) [RoHS Certificate of Compliance \(PDF\)](#)

**Agency Certification**

UL E29179

**General**

Product Family FFC/FPC Connectors  
 Series [501864](#)  
 Comments Requires a custom FFC/FPC with notches  
 Overview [Easy-On FFC FPC Connectors](#)  
 Product Name Easy-On  
 UPC 822350663427

**Physical**

Actuator Type FFC/FPC-to-Board  
 Circuits (Loaded) 30  
 Circuits (maximum) 30  
 Color - Resin Black  
 Contact Position Bottom  
 Durability (mating cycles max) 20  
 Flammability 94V-0  
 Mated Height 4.85mm  
 Material - Metal Phosphor Bronze  
 Material - Plating Mating Gold  
 Material - Plating Termination Gold  
 Material - Resin Liquid Crystal Polymer  
 Net Weight 741.465/mg  
 Number of Rows 1  
 Orientation Right Angle  
 PCB Locator Yes  
 PCB Mounting Surface Mount  
 PCB Retention Yes  
 Packaging Type Embossed Tape on Reel  
 Pitch - Mating Interface 0.50mm  
 Plating min - Mating 0.100µm  
 Plating min - Termination 0.051µm  
 Polarized to PCB Yes  
 Stackable No  
 Temperature Range - Operating -40° to +105°C  
 Wire/Cable Type FFC/FPC

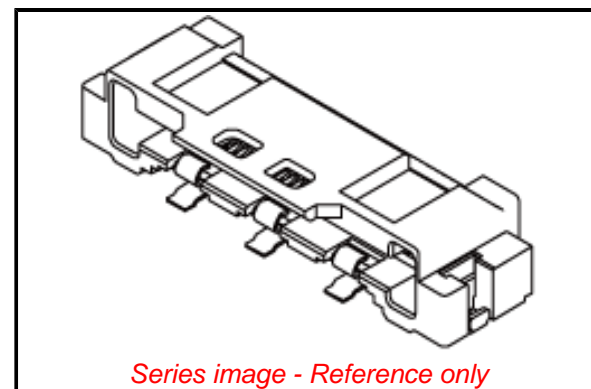
**Electrical**

Current - Maximum per Contact 0.5A  
 Voltage - Maximum 50V

**Material Info**

**Reference - Drawing Numbers**

Packaging Specification 5018649200-SPK-200



**EU ELV**

**Not Relevant**

**EU RoHS**

**Compliant**

**REACH SVHC**

Not Contained Per -  
 D(2020)4578-DC (25  
 June 2020)

**Halogen-Free**

**Status**

**Low-Halogen**

For more information, please visit [Contact US](#)

China ROHS

ELV

RoHS Phthalates

**China RoHS**

Green Image

Not Relevant

Not Contained

**Search Parts in this Series**

[501864 Series](#)

**Mates With**

Premo-Flex LVDS Cable [15022](#)

**Use With**

Plug Jacket [5017833009](#) . Plug Jacket  
 Cover [5017843008](#)

This document was generated on 07/28/2020

**PLEASE CHECK [WWW.MOLEX.COM](http://WWW.MOLEX.COM) FOR LATEST PART INFORMATION**