

PLEASE CHECK WWW.MOLEX.COM FOR LATEST PART INFORMATION

Part Number: **5031102000**
Status: **Active**
Overview: Duo-Clasp™ Wire-to-Board System
Description: 1.25mm Pitch Duo-Clasp Wire-to-Board Housing, Dual Row, Positive Lock, 20 Circuits

Documents:

3D Model	Application Specification AS-503110-001-001 (PDF)
Drawing (PDF)	Application Specification AS-503110-002-001 (PDF)
Product Specification PS-501931-002-001 (PDF)	Packaging Specification SPK-503110-001-001 (PDF)
Product Specification PS-501931-003-001 (PDF)	RoHS Certificate of Compliance (PDF)

Agency Certification

UL E29179

General

Product Family	Crimp Housings
Series	503110
Application	Signal, Wire-to-Board
Overview	Duo-Clasp™ Wire-to-Board System
Product Name	Duo-Clasp
UPC	800756934112

Physical

Breakaway	No
Circuits (maximum)	20
Color - Resin	White
Gender	Plug
Glow-Wire Compliant	No
Keying to Mating Part	Yes
Lock to Mating Part	Yes
Net Weight	315.000/mg
Number of Rows	2
Packaging Type	Bag
Panel Mount	No
Pitch - Mating Interface	1.25mm
Pitch - Termination Interface	1.25mm
Polarized to Mating Part	Yes
Ports	1
Stackable	No
Temperature Range - Operating	-25°C to +85°C

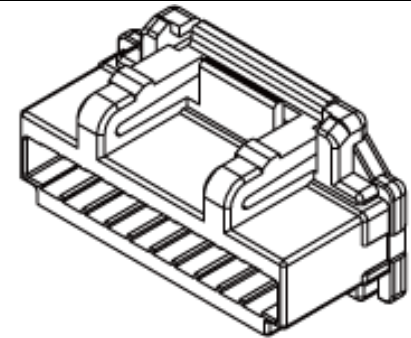
Electrical

Current - Maximum per Contact 1.0A

Material Info

Reference - Drawing Numbers

Application Specification	AS-503110-001-001, AS-503110-002-001
Packaging Specification	SPK-503110-001-001
Product Specification	PS-501931-002-001, PS-501931-003-001
Sales Drawing	SD-503110-001



Series image - Reference only

EU ELV

Not Reviewed

EU RoHS

Compliant

REACH SVHC

Not Contained Per -
ED/30/2017 (7 July
2017)

Halogen-Free

Status

Not Low-Halogen

**Need more information on product
environmental compliance?**

Email productcompliance@molex.com
Please visit the [Contact Us](#) section for any
non-product compliance questions.

China ROHS

ELV

RoHS Phthalates

Green Image

Not Reviewed

Not Contained

Search Parts in this Series

[503110 Series](#)

Mates With

[501931 PCB Receptacle](#) . [502046 PCB Receptacle](#)

Use With

[501930 Crimp Terminal](#)