

FEATURES AND SPECIFICATIONS

Features and Benefits

- Optimizes terminal-to-housing retention
- Virtually eliminates terminal backout when TPA is locked into place
- Upon seating TPA, audible click denotes system activation
- White/black color contrast provides easy identification of TPA system
- Positive locking latch secures housing to mating connector
- Anti-entanglement/overstress ribs prevent discrete wires from catching under latch during harness manufacturing and storage

Physical

Housing: Black glass-filled, polyester, UL 94V-0
 TPA: White glass-filled polyester, UL 94V-0
 Operating Temperature: -40 to +105°C



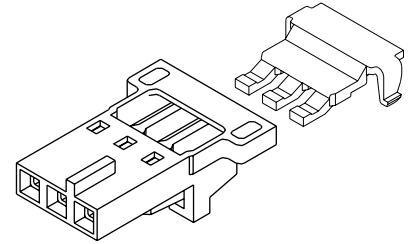
2.54mm (.100") Pitch

SL™

Crimp Housing

70066/73838

**Single Row
 Version N, TPA
 with Positive Latch**

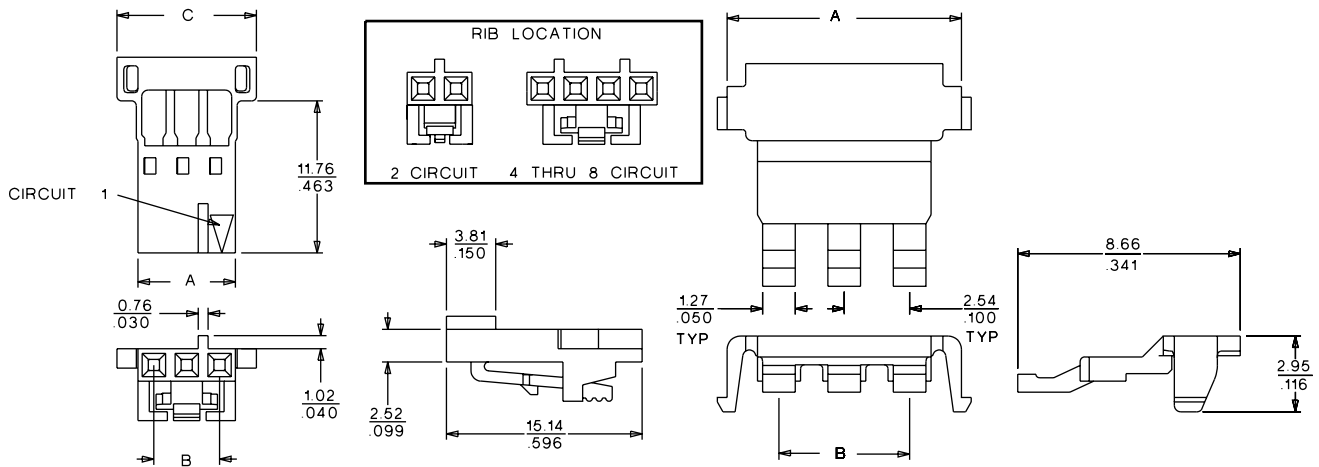


2.54mm (.100") Pitch

Reference Information

Packaging: Bag
 UL File No.: E29179
 CSA File No.: LR19980
 Mates with: 70018, 70107A/B, 70543, 70545, 70553 and 70555
 Use with: 73838 TPA and 70058 or 71851 crimp terminals
 Designed In: Inches

CATALOG DRAWING (FOR REFERENCE ONLY)



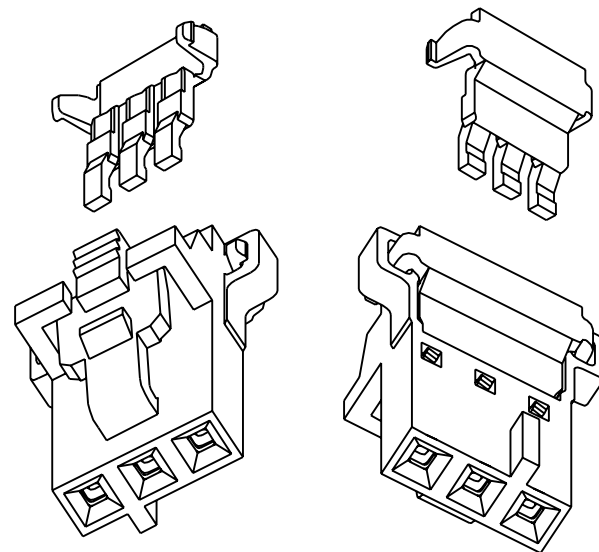
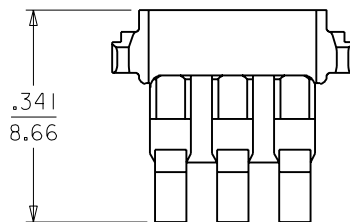
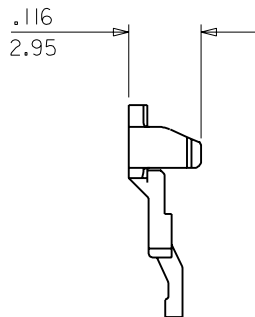
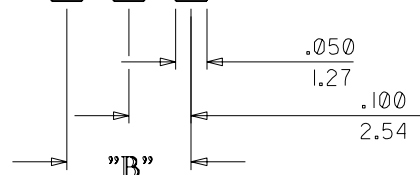
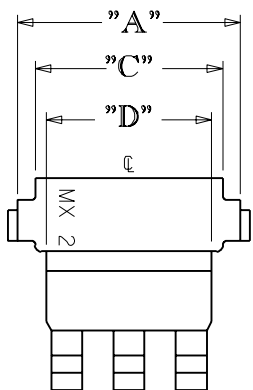
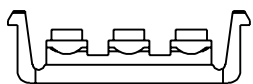
ORDERING INFORMATION AND DIMENSIONS

Circuits	70066 Version N TPA Crimp Housing				73838 TPA		
	Order No	Dimension			Order No.	Dimension	
		A	B	C		A	B
2	50-57-9702	5.00 (.197)	2.54 (.100)	8.26 (.325)	73838-0002	6.58 (.259)	2.54 (.100)
3	50-57-9703	7.54 (.297)	5.08 (.200)	10.80 (.425)	73838-0003	9.12 (.359)	5.08 (.200)
4	50-57-9704	10.08 (.397)	7.62 (.300)	13.34 (.525)	73838-0004	11.66 (.459)	7.62 (.300)
5	50-57-9705	12.62 (.497)	10.16 (.400)	15.88 (.625)	73838-0005	14.20 (.559)	10.16 (.400)
6	50-57-9706	15.16 (.597)	12.70 (.500)	18.42 (.725)	73838-0006	16.74 (.659)	12.70 (.500)
7	50-57-9707	17.70 (.697)	15.24 (.600)	20.96 (.825)	73838-0007	19.28 (.759)	15.24 (.600)
8	50-57-9708	20.24 (.797)	17.78 (.700)	23.50 (.925)	73838-0008	21.82 (.899)	17.78 (.700)

ITEM NUMBER	CKT SIZE	STATUS	DIM "A" ±.010/0.25	DIM "B" ±.010/0.25	DIM "C" ±.010/0.25	DIM "D" ±.010/0.25
73838-0002	2	TOOLED	.259/6.58	.100/2.54	.202/5.13	.166/4.22
73838-0003	3	TOOLED	.359/9.12	.200/5.08	.302/7.67	.266/6.76
73838-0004	4	TOOLED	.459/11.66	.300/7.62	.402/10.21	.366/9.30
73838-0005	5	TOOLED	.559/14.20	.400/10.16	.502/12.75	.466/11.84
73838-0006	6	TOOLED	.659/16.74	.500/12.70	.602/15.29	.566/14.38
73838-0007	7	TOOLED	.759/19.28	.600/15.24	.702/17.83	.666/16.92
73838-0008	8	TOOLED	.859/21.82	.700/17.78	.802/20.37	.766/19.46

NOTES:

- 1) TERMINAL POSITION ASSURANCE (TPA) FOR USE WITH SL HOUSING, "N" OPTION, SERIES #70066 AND TERMINAL SERIES NUMBERS 70058 AND 71851.
- 2) MATERIAL : GLASS FILLED POLYESTER, COLOR NATURAL, (WHITE) 94V-0,
- 3) COMPONENTS SOLD SEPARATELY, NOT IN KIT FORM.
- 4) THIS PRODUCT TO CONFORM TO MOLEX PRODUCT SPEC. PS-73838-999.
- 5) MAXIMUM DIAMETER WIRE FOR THIS APPLICATION .064/1.62.
- 6) PACKAGING PER PK-70873-0540.

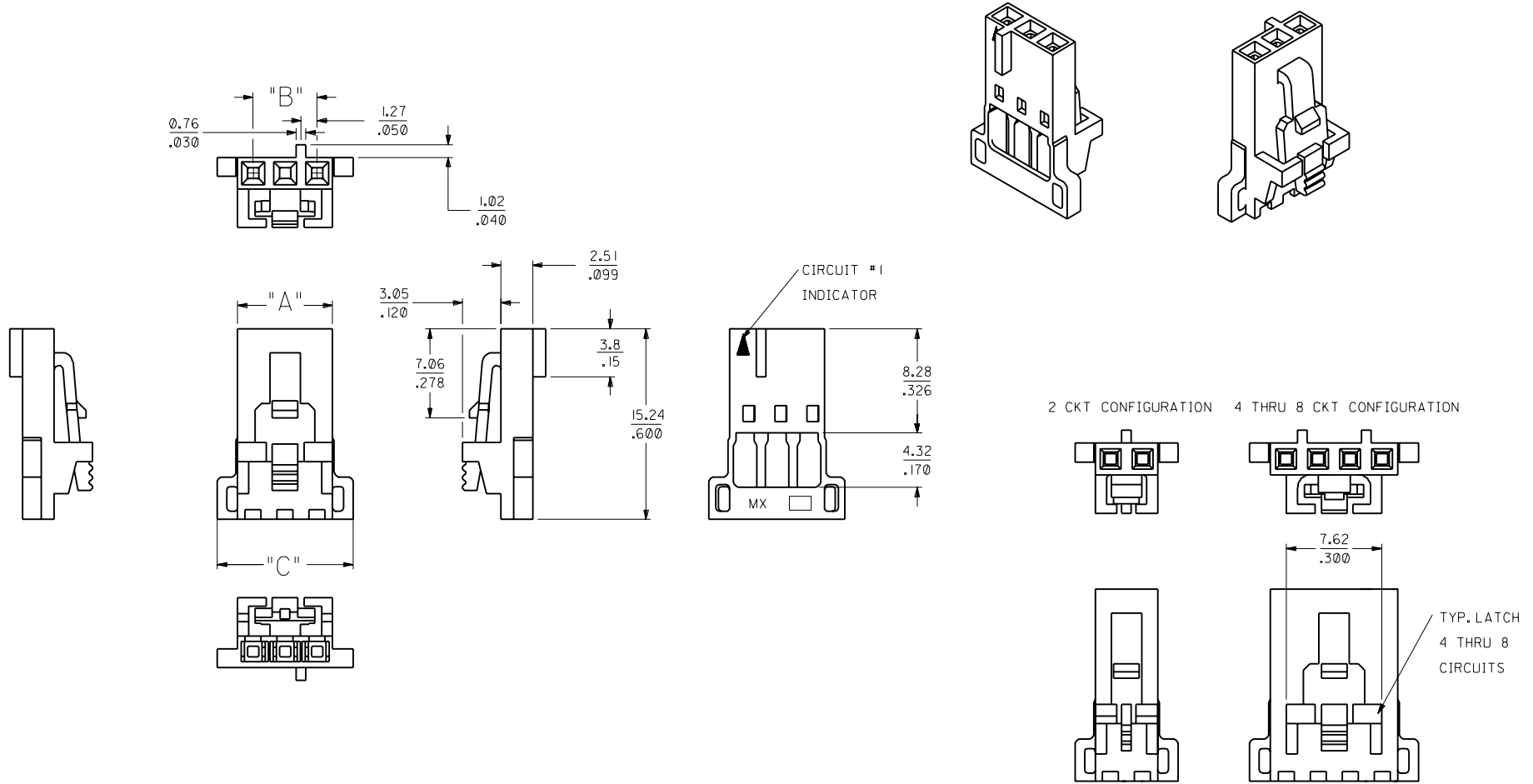


TPA SHOWN ASSEMBLED TO 70066 HOUSING FOR REFERENCE ONLY

REVISED EC No. UDT2000-0010 DRWN: SCHAFFER 99/07/02 CHK: REISDORF 99/07/12 APPR: BRINKMAN 99/07/22	QUALITY SYMBOLS MAJOR = 0 CRITICAL = 0	GENERAL TOLERANCES: (UNLESS SPECIFIED)		SCALE 5 : 1	DESIGN UNITS <input type="checkbox"/> mm <input checked="" type="checkbox"/> INCH	DIMENSIONS: <input type="checkbox"/> mm <input checked="" type="checkbox"/> INCH <input type="checkbox"/> mm ONLY <input type="checkbox"/> mm ONLY	SHT	REV
		4 PLACES ±0.N/A ±.N/A	3 PLACES ±0.N/A ±.010	2 PLACES ±0.25 ±.015	1 PLACE ±0.38 ±.N/A	ANGULAR: ± 1°	CAD FILENAME	MATERIAL NO. SEE CHART
A2	REV	DRAFT WHERE APPLICABLE MUST REMAIN WITHIN DIMENSIONS		THIS DRAWING CONTAINS INFORMATION THAT IS PROPRIETARY TO MOLEX INCORPORATED AND SHOULD NOT BE USED WITHOUT WRITTEN PERMISSION.		TITLE: TERMINAL POSITION ASSURANCE FOR SL CRIMP HOUSING, SALES DRAWING		SIZE B
MOLEX INCORPORATED						REVISE ON CAD ONLY		

TERMINAL POSITION ASSURANCE (TPA) OPTION "N"

CKT SIZE	EDP. NUMBER	ENG. NUMBER	DIM. "A"	DIM. "B"	DIM. "C"
2	050-57-9702	70066-0386	(5.00) / .197	(2.54) / .100	(8.26) / .325
3	050-57-9703	70066-0387	(7.54) / .297	(5.08) / .200	(10.80) / .425
4	050-57-9704	70066-0388	(10.08) / .397	(7.62) / .300	(13.34) / .525
5	050-57-9705	70066-0389	(12.62) / .497	(10.16) / .400	(15.88) / .625
6	050-57-9706	70066-0390	(15.16) / .597	(12.70) / .500	(18.42) / .725
7	050-57-9707	70066-0391	(17.70) / .697	(15.24) / .600	(20.96) / .825
8	050-57-9708	70066-0392	(20.24) / .797	(17.78) / .700	(23.50) / .925



- NOTES:
- HOUSING, OPTION "N" FOR USE WITH TERMINAL RETENTION SUPPORT SERIES #73838 AND CONTACT SERIES NUMBERS 70058 AND 71851.
 - REFER TO CHART FOR AVAILABLE CIRCUIT SIZES.
 - MATERIAL: GLASS FILLED POLYESTER, .94V-0, COLOR; BLACK
 - PACKAGE PER PK-70066-100.

ADD PKG NOTE EC No. UDT2000-0468 DRWN: SCHAFER 99/12/02 CHK: FOX 99/12/12 APPR: BRINKMAN 99/12/22	QUALITY SYMBOLS MAJOR $\nabla=0$ CRITICAL $\nabla/C=0$	GENERAL TOLERANCES: (UNLESS SPECIFIED)		SCALE 4:1	DESIGN UNITS <input checked="" type="checkbox"/> mm <input type="checkbox"/> INCH	THIRD ANGLE PROJECTION <input checked="" type="checkbox"/> mm <input type="checkbox"/> INCH <input type="checkbox"/> mm ONLY	SHT	REV
		4 PLACES ± 0.15 / A	$\pm .N/A$	$\pm .N/A$	DRAWN BY & DATE REISDORF 98/12/23		TITLE: HOUSING, SL CRIMP FOR TERMINAL POSITION ASSURANCE, SALES DRAWING	
REV	DESCRIPTION	2 PLACES ± 0.25	$\pm .015$	$\pm .015$	CHECKED BY & DATE REISDORF 98/12/23	MATERIAL NO. SEE CHART		
		1 PLACE ± 0.38	$\pm .N/A$	$\pm .N/A$	APPROVED BY & DATE BRINKMAN 98/12/23	DRAWING NO. SD-70066-386		
DRAFT WHERE APPLICABLE MUST REMAIN WITHIN DIMENSIONS		ANGULAR: $\pm 1^\circ$		CAD FILENAME		SHEET NO. 1 OF 1		
THIS DRAWING CONTAINS INFORMATION THAT IS PROPRIETARY TO MOLEX INCORPORATED AND SHOULD NOT BE USED WITHOUT WRITTEN PERMISSION.						SIZE C		