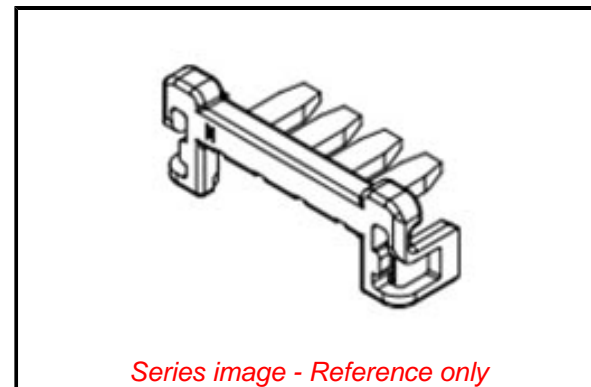


PLEASE CHECK WWW.MOLEX.COM FOR LATEST PART INFORMATION

Part Number: **5051520700**
Status: **Active**
Overview: DuraClik Connector System
Description: DuraClik Wire-to-Board 2-Way Terminal Position Assurance (TPA) Retainer, 7 Circuits

Documents:

3D Model	Application Specification AS-505151-001-001 (PDF)
3D Model (PDF)	Application Specification AS-505151-002-001 (PDF)
Drawing (PDF)	Packaging Specification SPK-505152-001-001 (PDF)
Product Specification 5051510002-000 (PDF)	Datasheet (PDF)
Product Specification PS-505151-001-001 (PDF)	RoHS Certificate of Compliance (PDF)



General

Product Family	Accessories
Series	<u>505152</u>
Application	Automotive
Component Type	Terminal Position Assurance
Overview	<u>DuraClik Connector System</u>
Product Name	DuraClik
UPC	887191735191

Physical

Circuits (Loaded)	7
Circuits (maximum)	7
Lock to Mating Part	Yes
Material - Resin	PBT
Net Weight	84.800/mg
Number of Rows	1
Packaging Type	Bag
Polarized to Mating Part	Yes
Temperature Range - Operating	-40° to +125°C
Termination Interface: Style	Crimp or Compression

Electrical

Current - Maximum per Contact	3.0A
-------------------------------	------

Material Info

Reference - Drawing Numbers

Application Specification	AS-505151-001-001, AS-505151-002-001
Packaging Specification	SPK-505152-001-001
Product Specification	5051510002-000, PS-505151-001-001
Sales Drawing	SD-505152-001

EU ELV

Compliant

EU RoHS

Compliant

REACH SVHC

Not Contained Per -
D(2020)4578-DC (25
June 2020)

Halogen-Free

Status

Not Low-Halogen

For more information, please visit [Contact US](#)

China ROHS

ELV

RoHS Phthalates

China RoHS

Green Image

Compliant

Not Contained

Search Parts in this Series

505152 Series

Use With

505151 DuraClik TPA Wire-to-Board
Housing, 505153 DuraClik TPA Wire-to-
Board Terminal