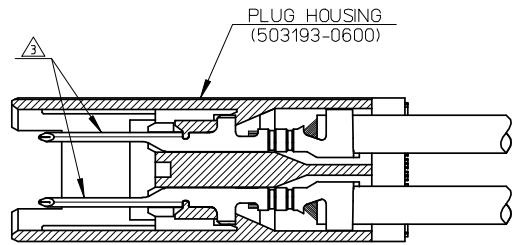


注記  
NOTES

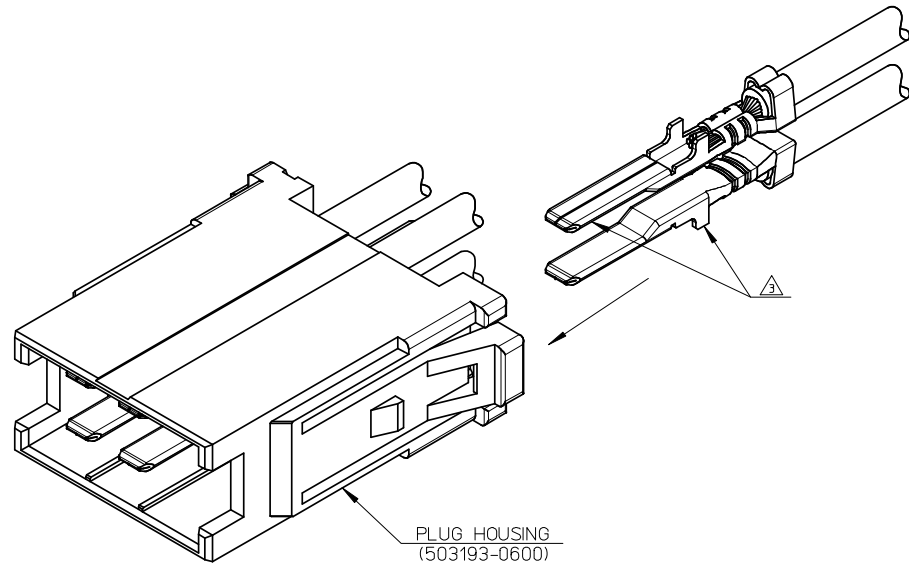
1. 材質  
MATERIAL  
ナイロン (PA)・ガラス充填, UL94V-0, 色: 自然色 (白)  
NYLON (PA), GLASS FILLED, UL94V-0, COLOR: NATURAL (WHITE)
2. 嵌合相手: 503194-0600  
MATE WITH: 503194-0600
3. 適合端子: 503195シリーズ  
APPLICABLE TERMINAL: 503195 SERIES
4. 適合シェル: 58687-00\*0 (プラグ シェル アセンブリ)  
58691-00\*0 (リセプタクル シェル アセンブリ)  
APPLICABLE SHELL: 58687-00\*0 (PLUG SHELL ASSEMBLY)  
58691-00\*0 (REC. SHELL ASSEMBLY)
5. 適用端子引抜き工具: 578056-6000  
APPLICABLE TERMINAL EXTRACTION TOOL: 578056-6000
6. ハーネス加工時及び輸送時においては、コネクタ間での絡みや衝撃、  
梱包時の積み重ねによる負荷がからないように御注意願います。  
WHEN TAKING A HARNESS CONNECTOR SHALL BE USED FREE  
FROM DIRECT EXCESSIVE FORCE AND TWISTED.
7. 製品の取扱いについては、コネクタ取扱い説明書 (AS-58696-001) を参照願います。  
PLEASE REFER TO USER'S MANUAL (AS-58696-001) FOR ROBOT CONN.
8. ELV及びRoHS適合品  
ELV AND RoHS COMPLIANT.

503193-0600	503193-06**	6
PLASTIC BAG	MODEL No.	CIRCUIT 極数
オーダー番号 ORDER No.		

RELEASED EC NO: J2008-3396 DRWNSAKIYAMA 2008/03/25 CHKD:SSAT003 2008/03/26 APPR: SICHIKAWA 2008/03/26	GENERAL TOLERANCES (UNLESS SPECIFIED)	DIMENSION STYLE MM ONLY	SCALE —//—	DESIGN UNITS METRIC	THIRD ANGLE PROJECTION
	10 UNDER ± 0.20	DRAWN BY S. AKIYAMA	DATE 08/02/06	TITLE ROBOT CONN. 6P PLUG HOUSING	
	10 OVER 30 UNDER ± 0.25	CHECKED BY S. SATO	DATE 08/02/06	MOLEX INCORPORATED	
	30 OVER ± 0.3	APPROVED BY S. ICHIKAWA	DATE 08/02/06	MATERIAL NO. SEE CHART	DOCUMENT NO. SD-503193-001
ANGULAR ± 3 °	DRAFT WHERE APPLICABLE MUST REMAIN WITHIN DIMENSIONS		THIS DRAWING CONTAINS INFORMATION THAT IS PROPRIETARY TO MOLEX INCORPORATED AND SHOULD NOT BE USED WITHOUT WRITTEN PERMISSION		



端子装着状態図  
CRIMP TERMINAL ASSEMBLY



端子挿入方向  
DIRECTION OF TERMINAL INSERTION

RELEASED EC NO.: J2008-3396 DRWN: SAKIYAMA 2008/03/25 CHKD: SSAT003 2008/03/26 APPR: S. ICHIKAWA 2008/03/26	GENERAL TOLERANCES (UNLESS SPECIFIED)		DIMENSION STYLE MM ONLY		SCALE ≠	DESIGN UNITS METRIC	THIRD ANGLE PROJECTION	
	10 UNDER	±0.20	DRAWN BY S. AKIYAMA	DATE 08/02/06	TITLE ROBOT CONN. 6P PLUG HOUSING			
	10 OVER 30 UNDER	±0.25	CHECKED BY S. SATO	DATE 08/02/06				
	30 OVER	±0.3	APPROVED BY S. ICHIKAWA	DATE 08/02/06	MOLEX INCORPORATED			
ANGULAR ±3 °		MATERIAL NO.	DOCUMENT NO.	SD-503193-001				
DRAFT WHERE APPLICABLE MUST REMAIN WITHIN DIMENSIONS		SEE CHART		THIS DRAWING CONTAINS INFORMATION THAT IS PROPRIETARY TO MOLEX INCORPORATED AND SHOULD NOT BE USED WITHOUT WRITTEN PERMISSION				