



TE Internal #: 487117-4

FFC Contacts, Cable-to-Cable, 2.54 mm [.1 in] Centerline, FFC, Socket, Gold, Reel, Insulation Displacement (IDC), Wire & Cable, 2 A, Signal

[View on TE.com >](#)

Connectors > PCB Connectors > Wire-to-Board Connectors > FFC, FPC & Ribbon Connectors > FFC Contacts >

2.54mm FFC Connectors Socket Contacts



Connector System: **Cable-to-Cable**

Centerline (Pitch): **2.54 mm [.1 in]**

Compatible With Wire & Cable Type: **FFC**

Contact Type: **Socket**

Contact Mating Area Plating Material: **Gold**

[All 2.54mm FFC Connectors Socket Contacts \(35\)](#)

## Features

### Product Type Features

Connector System	Cable-to-Cable
Sealable	No
Connector & Contact Terminates To	Wire & Cable

### Configuration Features

Compatible With Wire & Cable Type	FFC
-----------------------------------	-----

### Contact Features

	15 µin
Contact Underplating Material	Nickel
PCB Contact Termination Area Plating Material	Tin-Lead
Contact Base Material	Phosphor Bronze
Contact Type	Socket
Contact Mating Area Plating Material	Gold



Contact Current Rating (Max)	2 A
------------------------------	-----

### Termination Features

Termination Method to Wire & Cable	Insulation Displacement (IDC)
------------------------------------	-------------------------------

### Mechanical Attachment

Connector Mounting Type	Cable Mount (Free-Hanging)
-------------------------	----------------------------

### Housing Features

Centerline (Pitch)	2.54 mm [.1 in]
--------------------	-----------------

### Dimensions

Accepts Conductor Width	1.27 mm [.05 in]
-------------------------	------------------

### Usage Conditions

Operating Temperature Range	-65 – 105 °C [-85 – 221 °F]
-----------------------------	-----------------------------

### Operation/Application

Circuit Application	Signal
---------------------	--------

### Packaging Features

Packaging Method	Reel
------------------	------

### Other

Comment	High pressure receptacle contacts are recommended for a maximum connector size of 15 positions.
---------	---

## Product Compliance

[For compliance documentation, visit the product page on TE.com>](#)

EU RoHS Directive 2011/65/EU	Not Compliant
------------------------------	---------------

EU ELV Directive 2000/53/EC	Not Compliant
-----------------------------	---------------

China RoHS 2 Directive MIIT Order No 32, 2016	Restricted Materials Above Threshold
---	--------------------------------------

EU REACH Regulation (EC) No. 1907/2006	<p>Current ECHA Candidate List: JUNE 2022 (224)</p> <p>Candidate List Declared Against: JAN 2022 (223)</p> <p>SVHC &gt; Threshold:</p> <p>Pb (13% in Component Part)</p> <p><b>Article Safe Usage Statements:</b> Do not eat, drink or smoke when using this product. Wash thoroughly after handling. Recycle if possible and dispose of the article by following all applicable governmental regulations relevant to your geographic location.</p>
--	---

Halogen Content	Low Halogen - Br, Cl, F, I < 900 ppm per homogenous material. Also BFR/CFR/PVC Free
-----------------	---

Solder Process Capability

Not applicable for solder process capability

Product Compliance Disclaimer

This information is provided based on reasonable inquiry of our suppliers and represents our current actual knowledge based on the information they provided. This information is subject to change. The part numbers that TE has identified as EU RoHS compliant have a maximum concentration of 0.1% by weight in homogenous materials for lead, hexavalent chromium, mercury, PBB, PBDE, DBP, BBP, DEHP, DIBP, and 0.01% for cadmium, or qualify for an exemption to these limits as defined in the Annexes of Directive 2011/65/EU (RoHS2). Finished electrical and electronic equipment products will be CE marked as required by Directive 2011/65/EU. Components may not be CE marked. Additionally, the part numbers that TE has identified as EU ELV compliant have a maximum concentration of 0.1% by weight in homogenous materials for lead, hexavalent chromium, and mercury, and 0.01% for cadmium, or qualify for an exemption to these limits as defined in the Annexes of Directive 2000/53/EC (ELV). Regarding the REACH Regulation, the information TE provides on SVHC in articles for this part number is based on the latest European Chemicals Agency (ECHA) 'Guidance on requirements for substances in articles' posted at this URL: <https://echa.europa.eu/guidance-documents/guidance-on-reach>

### Compatible Parts



TE Part # CAT-F439-R2435254  
2.54mm FFC Connectors Receptacle Housing



TE Part # 1-86557-4  
FFC PIN ROUND WIRE PLATED




TE Part # 1-487526-8  
019 HOUSING FFC RCPT 100CL SR



TE Part # 1-528013-1  
FFC PISTOL GRIP HAND TOOL CASE



TE Part # 2394880-3  
FFC BASE MACHINE MARK II, ENGLISH

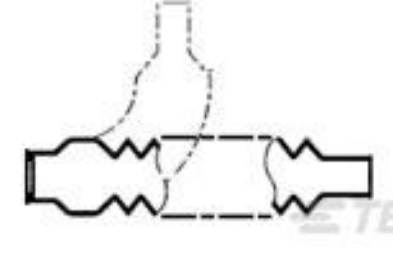


TE Part # 5-528441-5  
APPLIC. FFC-MODU.100

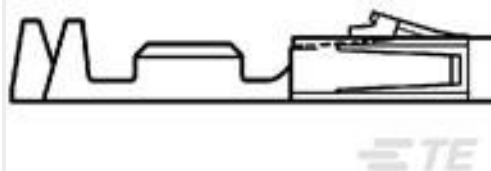
### Customers Also Bought



TE Part #487526-2  
2.54mm FFC Connectors Receptacle Housing



TE Part #430328-000  
202C621-51/164-0



TE Part #104479-7  
SHORT POINT RECP CONT LP



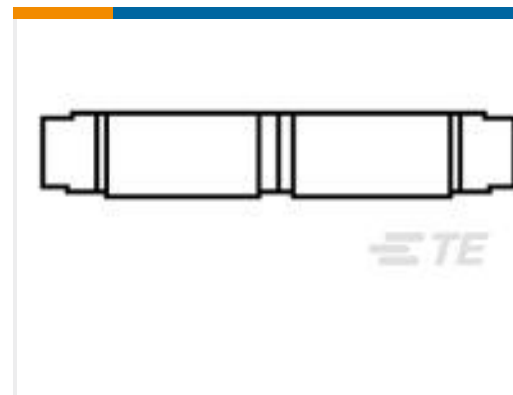
TE Part #C17600-000  
VERSAFIT-MINI-SPL-1/8-BK



TE Part #32051  
PIDG SPD 22-16COMM 22-18MIL 10



TE Part #YDTS26W21-35PAV001  
PLUG ASSY



TE Part #328569  
SPLC BUTT S.D. S-S T-N 8/12-10



TE Part #YDIV44E15-35PAV001  
RECP ASSY



TE Part #1051638-1  
2031 5002 00

## Documents

### Product Drawings

#### FFC RCPT HP 15AU RL

English

### CAD Files

#### Customer View Model

[ENG\\_CVM\\_CVM\\_487117-4\\_AN.2d\\_dxf.zip](#)

English

#### 3D PDF

3D

#### Customer View Model

[ENG\\_CVM\\_CVM\\_487117-4\\_AN.3d\\_igs.zip](#)

English

#### Customer View Model

[ENG\\_CVM\\_CVM\\_487117-4\\_AN.3d\\_stp.zip](#)

English

By downloading the CAD file I accept and agree to the [Terms and Conditions](#) of use.

### Product Specifications

#### Application Specification

English

### Instruction Sheets

#### Instruction Sheet (U.S.)

English

#### Extraction Tools

English

