

AMP-LATCH

TE Internal #: 499252-9

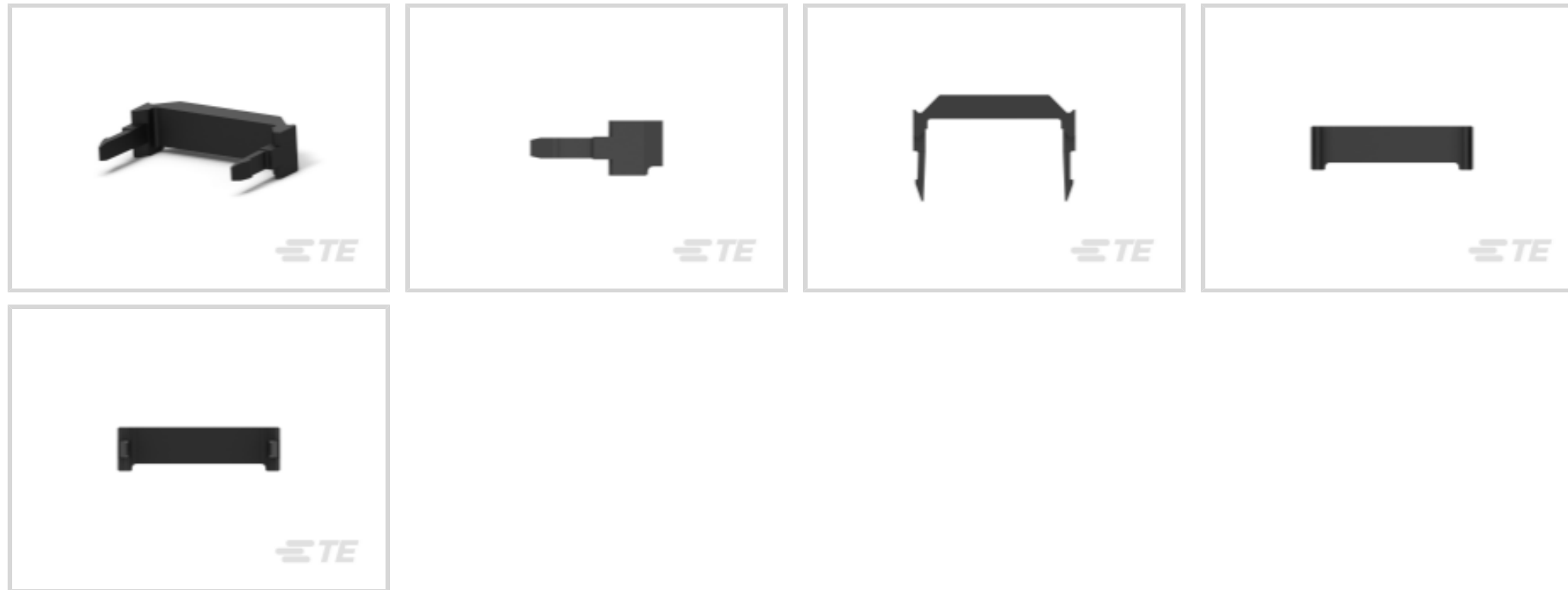
TE Internal Description: 014 STRAIN RELIEF A-L RCPT

Bus Connector: Strain Relief, ATA

[View on TE.com >](#)

Connectors > PCB Connectors > Wire-to-Board Connectors > FFC, FPC & Ribbon Connectors > Ribbon Connector Accessories >

Bus Connector: Strain Relief, ATA



Flat Flexible Cable Accessory Type: **Strain Relief**

[All Bus Connector: Strain Relief, ATA \(13\)](#)

Features

Product Type Features

Flat Flexible Cable Accessory Type	Strain Relief
------------------------------------	---------------

Body Features

Primary Product Material	Thermoplastic
Primary Product Color	Black

Dimensions

Product Width	6.1 mm[.24 in]
Product Length	22.61 mm[.89 in]
Product Height	14.76 mm[.581 in]

Industry Standards

CSA File Number	LR 7189
Agency/Standard	CSA, UL
UL Rating	Recognized
UL File Number	E28476

Packaging Features

Packaging Quantity	500
--------------------	-----



Packaging Method

Bag & Box

Other

Comment

Receptacle Connector

Product Compliance

[For compliance documentation, visit the product page on TE.com>](#)

EU RoHS Directive 2011/65/EU

Compliant

EU ELV Directive 2000/53/EC

Compliant

China RoHS 2 Directive MIIT Order No 32, 2016

No Restricted Materials Above Threshold

EU REACH Regulation (EC) No. 1907/2006

Current ECHA Candidate List: JUNE 2022 (224)
 Candidate List Declared Against: JAN 2022 (223)
 SVHC > Threshold:
 Not Yet Reviewed

Halogen Content

Not Low Halogen - contains Br or Cl > 900 ppm.

Solder Process Capability

Not applicable for solder process capability

Product Compliance Disclaimer

This information is provided based on reasonable inquiry of our suppliers and represents our current actual knowledge based on the information they provided. This information is subject to change. The part numbers that TE has identified as EU RoHS compliant have a maximum concentration of 0.1% by weight in homogenous materials for lead, hexavalent chromium, mercury, PBB, PBDE, DBP, BBP, DEHP, DIBP, and 0.01% for cadmium, or qualify for an exemption to these limits as defined in the Annexes of Directive 2011/65/EU (RoHS2). Finished electrical and electronic equipment products will be CE marked as required by Directive 2011/65/EU. Components may not be CE marked. Additionally, the part numbers that TE has identified as EU ELV compliant have a maximum concentration of 0.1% by weight in homogenous materials for lead, hexavalent chromium, and mercury, and 0.01% for cadmium, or qualify for an exemption to these limits as defined in the Annexes of Directive 2000/53/EC (ELV). Regarding the REACH Regulation, the information TE provides on SVHC in articles for this part number is based on the latest European Chemicals Agency (ECHA) 'Guidance on requirements for substances in articles' posted at this URL: <https://echa.europa.eu/guidance-documents/guidance-on-reach>

Compatible Parts



TE Part # CAT-AM74-UN384H
AMP-LATCH UNIVERSAL HEADERS



TE Part # 2-1761603-5
IDC LOW PRO HDR 14P VERT BLUE



TE Part # 5103309-2
A/L LOW PRO HDR 14P VERT BLACK



TE Part # 5103310-2
A/L LOW PRO HDR 14P RA BLACK



TE Part # 1761607-5
IDC LOW PRO HDR 14P RA LG LAT
BLK



TE Part # 1658621-2
14 NOVO MIL/CTR 15DP, LEAD FREE



TE Part # 1658622-2
14 NOVO MIL/CTR 30DP, LEAD FREE



TE Part # 1-111446-5
14 UNIV I/O, NO EARS, LEAD FREE



TE Part # 2-1761606-5
IDC LOW PRO HDR 14P VERT LG LA



TE Part # 5103308-2
A/L LOW PRO HDR 14P VERT BLACK



TE Part # 2-1761607-5
IDC LOW PRO HDR 14P RA LG LAT



TE Part # 1658623-2
14 NOVO MIL 30DP, LEAD FREE



TE Part # 1658620-2
14 NOVO MIL 15DP, LEAD FREE



TE Part # 5103311-2
A/L LOW PRO HDR 14P RA BLACK



TE Part # 5104338-2
A/L LOW PRO HDR 14P VERT HT



TE Part # 1-111504-5
014 UNIV I/O 30DP NO EARS LTCH



TE Part # 1658624-2
014 NOVO DUAL 30DP FT



TE Part # 1761681-5
IDC LOW PRO HDR 14P VERT HT
BLACK



TE Part # 2-1761605-5
IDC LOW PRO HDR 14P RA BLUE



TE Part # 1761682-5
IDC LOW PRO HDR 14P RA HT BLACK


Customers Also Bought



TE Part #499252-6
034 STRAIN RELIEF A-L RCPT



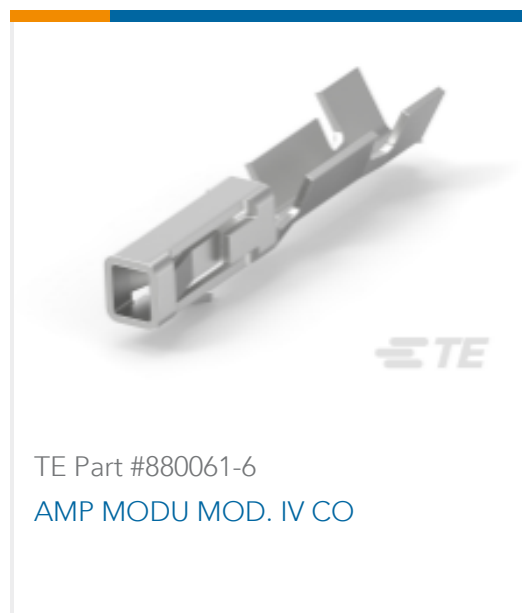
TE Part #1-796375-1
CPC PSTD RCPT, 13-9, R/A LF



TE Part #5088450-3
PULL LOOP, CUT LENGTH .64 IN



TE Part #1658622-3
16 NOVO MIL/CTR 30DP, LEAD FREE



Documents

Product Drawings

014 STRAIN RELIEF A-L RCPT

English

CAD Files

Customer View Model

[ENG_CVM_CVM_499252-9_AL.2d_dxf.zip](#)

English

3D PDF

3D

Customer View Model

[ENG_CVM_CVM_499252-9_AL.3d_igs.zip](#)

English

Customer View Model

[ENG_CVM_CVM_499252-9_AL.3d_stp.zip](#)

English

By downloading the CAD file I accept and agree to the [Terms and Conditions](#) of use.

Datasheets & Catalog Pages

Ribbon Cable Interconnect Solutions

English

Product Specifications

Application Specification

English

Product Environmental Compliance

[MD_499252-9_04222014144_dmtec](#)



English

[MD_499252-9_04222014144_dmtec](#)

English