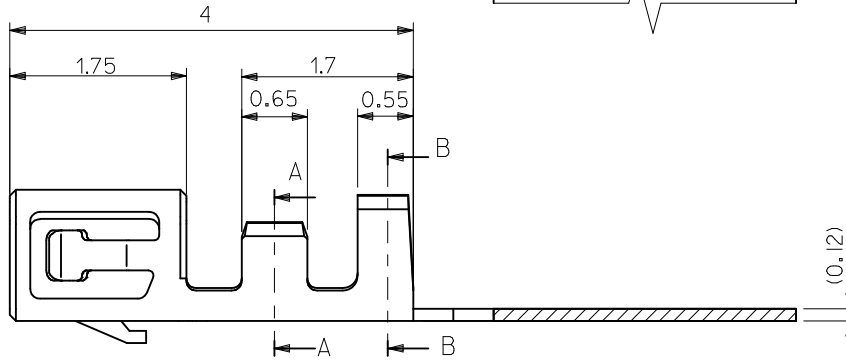
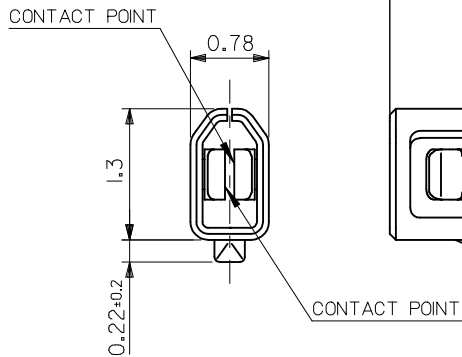
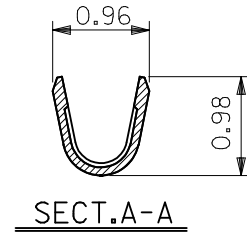
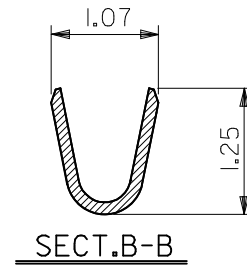
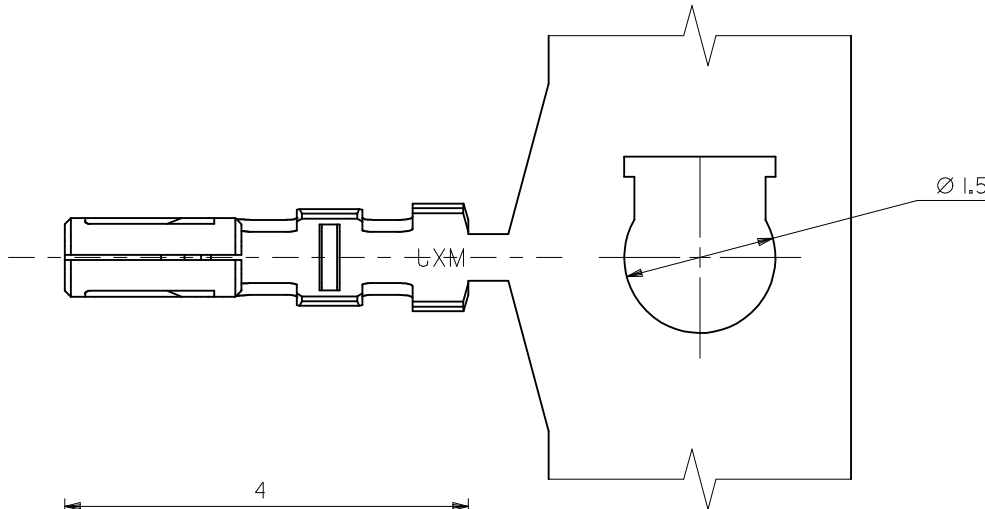


10 9 8 7 6 5 4 3 2 1



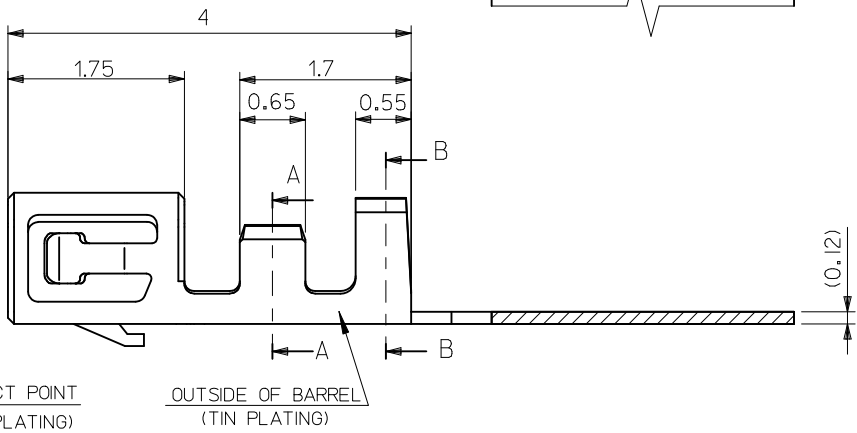
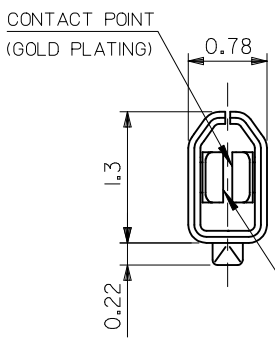
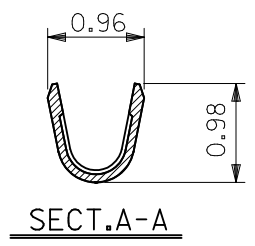
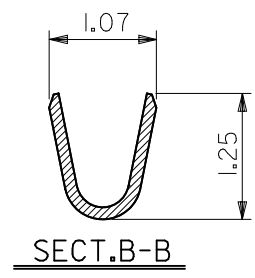
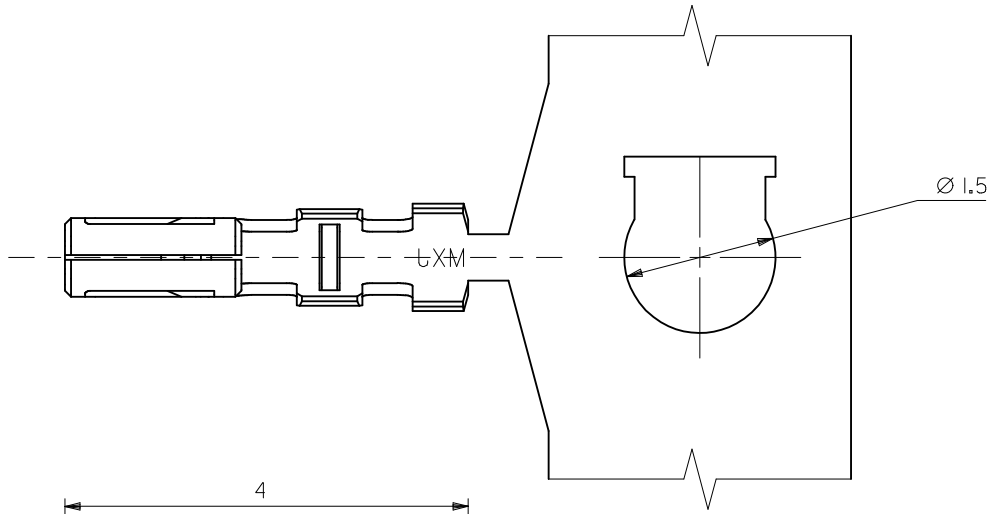
NOTES.

- 適合ハウジング: 501189-\*\*\*\*  
APPLICABLE HOUSING : 501189-\*\*\*\*
- メッキ仕様 (前メッキ)  
PLATING (PRE-PLATING)  
接点部金メッキ: 0.1μm MIN.  
CONTACT AREA GOLD PLATING  
下地ニッケルメッキ: 1.0μm MIN.  
UNDER PLATING NICKEL PLATING
- 本製品は 501193 の部分金メッキ品である。  
THIS PRODUCT IS A PRODUCT THAT GAVE 501193  
A PARTIAL GOLD PLATE.

501193-2000	連鎖状 CHAIN
MATERIAL NO.	端子形状 FORM

<b>MATERIAL</b> リン青銅 下地ニッケル、部分金メッキ品 PHOSPHOR BRONZE t=0.12 PRE-GOLD PLATING PRE-UNDER NICKEL PLATING	<b>REVISED</b> EC NO: J2016-0352 DRW: KYAMADA02 2015/10/05 CHK: KASAKAWA 2015/10/05 APPR: NUKITA 2015/10/07	GENERAL TOLERANCES (UNLESS SPECIFIED)			DIMENSION STYLE <b>MM ONLY</b>		SCALE <b>20:1</b>	DESIGN UNITS <b>METRIC</b>	THIRD ANGLE PROJECTION
		0.25 UNDER UNDER ±0.03 0.25 OVER 0.5 UNDER ±0.05 0.5 OVER 1.0 UNDER ±0.1 1.0 OVER 10 UNDER ±0.2 10 OVER 30 UNDER ±0.25 30 OVER ±0.3 ANGULAR ±3 °	DRAWN BY M. NABEI '07/11/13	DATE '07/11/13	TITLE <b>1.0 WIRE TO BOARD CONN.                  CRIMP REC TERMINAL</b>	CHECKED BY K. TOYODA '07/11/13	DATE '07/11/13	APPROVED BY NUKITA '07/11/13	MATERIAL NO. <b>SEE TABLE</b>
<b>FINISH</b> SEE NOTE		DRAFT WHERE APPLICABLE MUST REMAIN WITHIN DIMENSIONS			SIZE <b>A3</b>	THIS DRAWING CONTAINS INFORMATION THAT IS PROPRIETARY TO MOLEX INCORPORATED AND SHOULD NOT BE USED WITHOUT WRITTEN PERMISSION			
<b>WIRE RANGE</b> AWG#28-32									
<b>INS. RANGE</b> ø 0.4-0.8									

9 8 7 6 5 4 3 2 1



- NOTES.
- 適合ハウジング: 501189-\*\*\*\*  
APPLICABLE HOUSING : 501189-\*\*\*\*
  - メッキ仕様 (前メッキ)  
PLATING (PRE-PLATING)  
接点部金メッキ: 0.1 μm MIN.  
CONTACT AREA GOLD PLATING  
バレル外面 錫メッキ: 0.9 μm MIN.  
OUTSIDE OF BARREL TIN PLATING  
下地ニッケルメッキ: 1.0 μm MIN.  
UNDER PLATING NICKEL PLATING
  - 本製品はコンタクト部 金メッキ品である。  
THIS PRODUCT IS GOLD PLATING FOR CONTACT POINT.
  - 本製品はバレル外面 錫メッキ品である。  
THIS PRODUCT IS TIN PLATING OUTSIDE A BARREL.
  - ELV AND RoHS COMPLIANT.

501193-3100	バラ状 LOOSE
501193-3000	連鎖状 CHAIN
MATERIAL NO.	端子形状 FORM

<b>MATERIAL</b> リン青銅 下地ニッケル、部分金メッキ、錫メッキ品 PHOSPHOR BRONZE t=0.12 SELECTIVE GOLD PLATING SELECTIVE TIN PLATING UNDER NICKEL PLATING	<b>RELEASED</b> EC NO: J2011-0328 DRWN:TKON 2010/09/01 CHKD: 2010/09/02 APPR:NUKITA 2010/09/02	<b>GENERAL TOLERANCES (UNLESS SPECIFIED)</b>		<b>DIMENSION STYLE</b> MM ONLY	<b>SCALE</b> 20:1	<b>DESIGN UNITS</b> METRIC	THIRD ANGLE PROJECTION
		10 UNDER ±0.2 10 OVER 30 UNDER ±0.25 30 OVER ±0.3	DRAWN BY TKON	DATE 2010/09/01	<b>TITLE</b> 1.0 WIRE TO BOARD CONN. CRIMP REC TERMINAL		
		ANGULAR ±3 ° DRAFT WHERE APPLICABLE MUST REMAIN WITHIN DIMENSIONS	APPROVED BY NUKITA	DATE 2010/09/02	<b>MOLEX INCORPORATED</b>		
		SEE NOTE WIRE RANGE AWG#28-32 INS. RANGE ø 0.4-0.8	MATERIAL NO. SEE TABLE	DOCUMENT NO. SD-501193-003	SHEET NO. 1 OF 1		