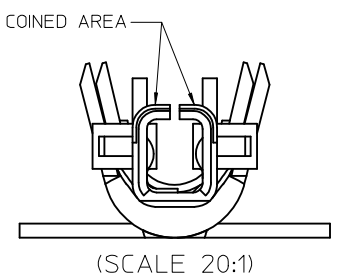
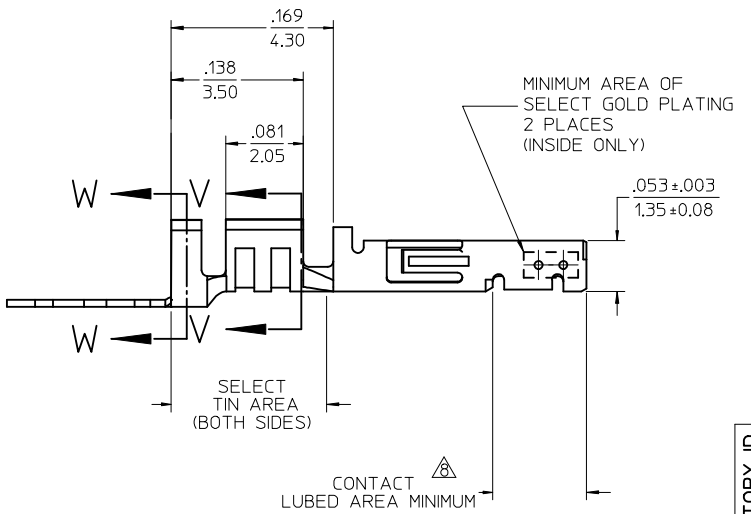
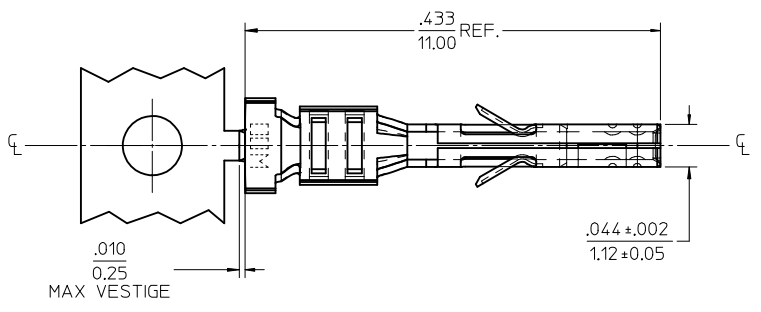
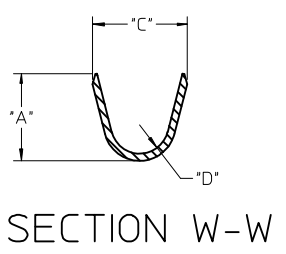
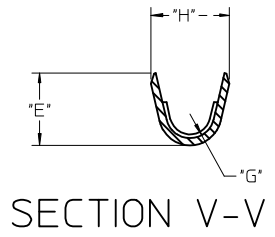


| | | | | | | | | | | | | | |
|---|-----------|----------------|-----------------------|-----------------------|-----------------------|-----------------------|-----------------------|-----------------------|---|---|---|---|---|
| | 13 | 12 | 11 | 10 | 9 | 8 | 7 | 6 | 5 | 4 | 3 | 2 | 1 |
| J | WIRE SIZE | MAX INSULATION | "A" ±.012 ±0.30 | "C" ±.012 ±0.30 | "D" ±.005 ±0.13 | "E" ±.012 ±0.30 | "G" ±.005 ±0.13 | "H" ±.012 ±0.30 | | | | | |
| | 20-24 | .073/1.85 | .090/2.29 | .100/2.54 | .030/0.76 | .075/1.91 | .025/0.64 | .082/2.08 | | | | | |
| | 26-30 | .050/1.27 | .075/1.91 | .083/2.10 | .025/0.64 | .058/1.47 | .020/0.51 | 0.65/1.65 | | | | | |

| | | | |
|-----------------|---------|-----------|-------|
| MATERIAL NUMBER | PLATING | WIRE SIZE | FORM |
| 45773-0001 | A | 20-24 | CHAIN |
| 45773-0002 | B | 20-24 | CHAIN |
| 45773-0003 | C | 20-24 | CHAIN |
| 45773-0004 | A | 26-30 | CHAIN |
| 45773-0005 | B | 26-30 | CHAIN |
| 45773-0006 | C | 26-30 | CHAIN |

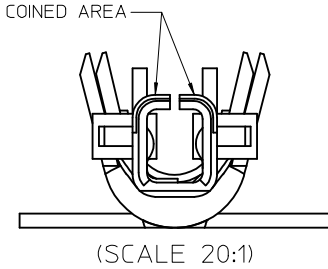
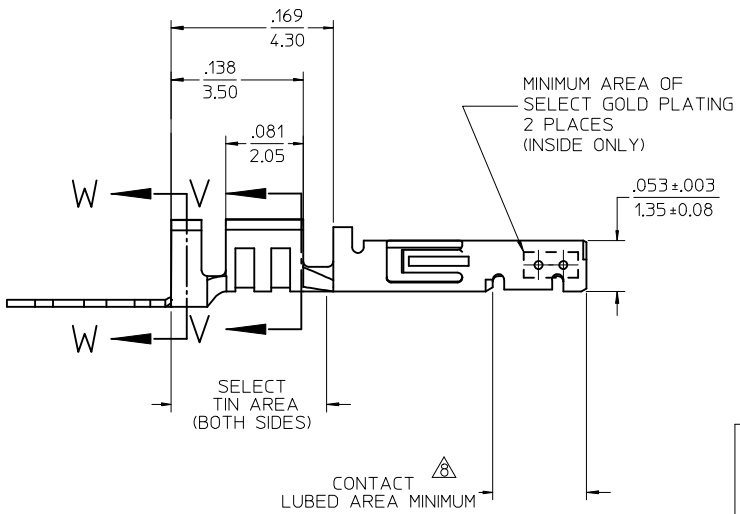
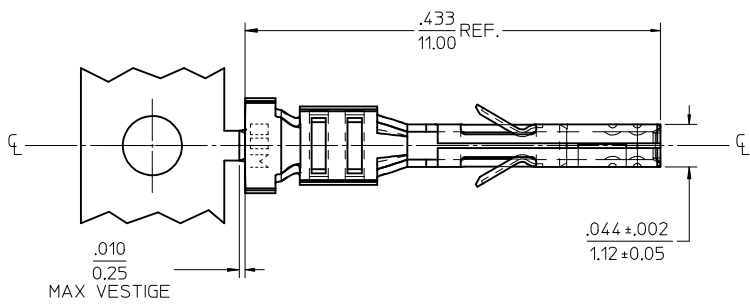
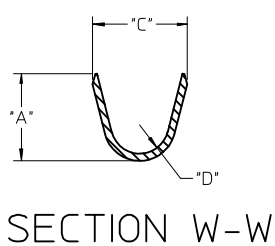
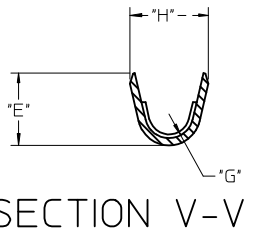


- NOTES
- 1) MATERIAL: PHOSPHOR BRONZE ALLOY
 - 2) TERMINAL PLATING:
 A - HOT TIN DIP: .000040/0.00102 MIN.
 B - .000015/0.00038 MIN. SELECT GOLD
 .000100/0.00254 MIN. SELECT TIN
 ALL OVER .000050/0.00127 MIN. NICKEL OVERALL.
 C - .000030/0.00076 MIN. SELECT GOLD
 .000100/0.00254 MIN. SELECT TIN
 ALL OVER .000050/0.00127 MIN. NICKEL OVERALL.
 MATERIAL NUMBERS WITH SELECT PLATING ARE POST-PLATED.
 - 3) PRODUCT SPECIFICATION: PS-43045, PS-43650, PS-44300-001.
 - 4) PACKAGING SPECIFICATION: PK-45773-001
 - 5) TERMINAL FOR USE IN MICRO FIT RECEPTACLE SERIES DESIGNED FOR USING THE 43030-**** FEMALE CRIMP TERMINAL.
 - 6) FOR TERMINAL ORIENTATION IN RECEPTACLE SEE DRAWING SDA-43025-**** OR SDA-43645-****.
 - 7) THIS TERMINAL IS DESIGNED IN METRIC.
 - 8) MOLEX PROPRIETARY CONTACT LUBRICATION EB-1 IS APPLIED IN THE CONTACT AREA BY THE FACTORY.
 - 9) MOLEX RECOMMENDS THE USE OF MICRO-FIT TEST PLUG (SERIES 44242) WHENEVER CONTINUITY TESTING IS PERFORMED. TEST PLUGS MUST NOT BE USED TO MAKE OR BREAK UNDER LOAD. MOLEX DOES NOT RECOMMEND USING STANDARD MATING COMPONENTS (SERIES 43020, 43045, 43640, 43650, OR 43031) FOR HARNESS TESTING PURPOSES.
 - 10) TEXT ON PART IS FOR REFERENCE ONLY. TEXT AND TEXT LOCATION MAY VARY DEPENDING ON PART NUMBER AND/OR TOOL.

| | | | | | | | | | |
|--------------------------------------------------------------------------------------------------------|--------------------------------------|---------------------------------------|------|---------------------------|--------------------|-------------------------------------------------------------------------------------------------------------------------------|------------------------------|------------------------|---------------------|
| UPDATE FACTORY ID EC NO: UCP2017-2563 DRWN:ZHARPER 2017/05/31 CHKD: APPR:FSMITH 2017/09/29 | QUALITY SYMBOLS ▽=0 ▽=0 ▽=0 | GENERAL TOLERANCES (UNLESS SPECIFIED) | | DIMENSION STYLE IN/MM | | SCALE 10:1 | DESIGN UNITS METRIC | THIRD ANGLE PROJECTION | |
| | | mm | INCH | DRAWN BY DPETERSON | DATE 2006/01/25 | TITLE MICRO-FIT (3.0) FEMALE CRIMP TERMINAL W/ LUBRICANT | DOCUMENT NO. SD-45773-001 | | SHEET NO. 1 OF 1 |
| B2 | REV | ANGULAR ±1/2° | | MATERIAL NO. SEE CHART | | THIS DRAWING CONTAINS INFORMATION THAT IS PROPRIETARY TO MOLEX INCORPORATED AND SHOULD NOT BE USED WITHOUT WRITTEN PERMISSION | | | |
| DRAFT WHERE APPLICABLE MUST REMAIN WITHIN DIMENSIONS | | SIZE C | | | | | | | |

| | | | | | | | | | | | | | |
|---|-----------|----------------|-----------------------|-----------------------|-----------------------|-----------------------|-----------------------|-----------------------|---|---|---|---|---|
| | 13 | 12 | 11 | 10 | 9 | 8 | 7 | 6 | 5 | 4 | 3 | 2 | 1 |
| J | WIRE SIZE | MAX INSULATION | "A" ±.012 ±0.30 | "C" ±.012 ±0.30 | "D" ±.005 ±0.13 | "E" ±.012 ±0.30 | "G" ±.005 ±0.13 | "H" ±.012 ±0.30 | | | | | |
| | 20-24 | .073/1.85 | .090/2.29 | .100/2.54 | .030/0.76 | .075/1.91 | .025/0.64 | .082/2.08 | | | | | |
| | 26-30 | .050/1.27 | .075/1.91 | .083/2.10 | .025/0.64 | .058/1.47 | .020/0.51 | 0.65/1.65 | | | | | |

| | | | |
|-----------------|---------|-----------|-------|
| MATERIAL NUMBER | PLATING | WIRE SIZE | FORM |
| 45773-0001 | A | 20-24 | CHAIN |
| 45773-0002 | B | 20-24 | CHAIN |
| 45773-0003 | C | 20-24 | CHAIN |
| 45773-0004 | A | 26-30 | CHAIN |
| 45773-0005 | B | 26-30 | CHAIN |
| 45773-0006 | C | 26-30 | CHAIN |



- NOTES
- 1) MATERIAL: PHOSPHOR BRONZE ALLOY
 - 2) TERMINAL PLATING:
 A - HOT TIN DIP: .000040/0.00102 MIN.
 B - .000015/0.00038 MIN. SELECT GOLD
 .000100/0.00254 MIN. SELECT TIN
 ALL OVER .000050/0.00127 MIN. NICKEL OVERALL.
 C - .000030/0.00076 MIN. SELECT GOLD
 .000100/0.00254 MIN. SELECT TIN
 ALL OVER .000050/0.00127 MIN. NICKEL OVERALL.
 MATERIAL NUMBERS WITH SELECT PLATING ARE POST-PLATED.
 - 3) PRODUCT SPECIFICATION: PS-43045, PS-43650, PS-44300-001.
 - 4) PACKAGING SPECIFICATION: PK-45773-001
 - 5) TERMINAL FOR USE IN MICRO FIT RECEPTACLE SERIES DESIGNED FOR USING THE 43030-**** FEMALE CRIMP TERMINAL.
 - 6) FOR TERMINAL ORIENTATION IN RECEPTACLE SEE DRAWING SDA-43025-**** OR SDA-43645-****.
 - 7) THIS TERMINAL IS DESIGNED IN METRIC.
 - 8) MOLEX PROPRIETARY CONTACT LUBRICATION EB-1 IS APPLIED IN THE CONTACT AREA BY THE FACTORY.
 - 9) MOLEX RECOMMENDS THE USE OF MICRO-FIT TEST PLUG (SERIES 44242) WHENEVER CONTINUITY TESTING IS PERFORMED. TEST PLUGS MUST NOT BE USED TO MAKE OR BREAK UNDER LOAD. MOLEX DOES NOT RECOMMEND USING STANDARD MATING COMPONENTS (SERIES 43020, 43045, 43640, 43650, OR 43031) FOR HARNESS TESTING PURPOSES.
 - 10) TEXT ON PART IS FOR REFERENCE ONLY. TEXT AND TEXT LOCATION MAY VARY DEPENDING ON PART NUMBER AND/OR TOOL.

| | | | | | | |
|--------------------------------------------------------------------------------------------------------|-----------------|---------------------------------------|------------------------------------------------------|-------------------------------------------------------------------------------------------------------------------------------|------------------------|------------------------|
| UPDATE FACTORY ID EC NO: UCP2017-2563 DRWN:ZHARPER 2017/05/31 CHKD: APPR:FSMITH 2017/09/29 | QUALITY SYMBOLS | GENERAL TOLERANCES (UNLESS SPECIFIED) | DIMENSION STYLE IN/MM | SCALE 10:1 | DESIGN UNITS METRIC | THIRD ANGLE PROJECTION |
| | ▽=0 | 4 PLACES ± --- ± --- | DRAWN BY DATE DPETERSON 2006/01/25 | TITLE MICRO-FIT (3.0) FEMALE CRIMP TERMINAL W/ LUBRICANT | | |
| | ▽=0 | 3 PLACES ± --- ± .010 | CHECKED BY DATE SSOUSEK 2006/01/25 | molex | | |
| | ▽=0 | 2 PLACES ± 0.25 ± .014 | APPROVED BY DATE FSMITH 2006/01/25 | DOCUMENT NO. SD-45773-001 | | |
| REV B2 | | 1 PLACE ± 0.35 ± --- | MATERIAL NO. SEE CHART | SHEET NO. 1 OF 1 | | |
| | | 0 PLACE ± ± | ANGULAR ±1/2° | THIS DRAWING CONTAINS INFORMATION THAT IS PROPRIETARY TO MOLEX INCORPORATED AND SHOULD NOT BE USED WITHOUT WRITTEN PERMISSION | | |
| | | | DRAFT WHERE APPLICABLE MUST REMAIN WITHIN DIMENSIONS | | | |