

493581-1 ✓ ACTIVE

AMP

TE Internal #: 493581-1

Other Automotive Connector Accessories, Other, Wire-to-Board /
Wire-to-Wire, Other, Black

[View on TE.com >](#)



Connectors > Automotive Connectors > Connector Accessories > Other Connector Accessories



Automotive Connector Accessory Type: **Other**

Connector System: **Wire-to-Board, Wire-to-Wire**

Primary Product Material: **Other**

Primary Product Color: **Black**

Features

Product Type Features

Automotive Connector Accessory Type	Other
Connector System	Wire-to-Board, Wire-to-Wire

Body Features

Primary Product Material	Other
Primary Product Color	Black

Packaging Features

Packaging Quantity	1000
--------------------	------

Other

Serviceable	Yes
-------------	-----

Product Compliance

[For compliance documentation, visit the product page on TE.com>](#)

EU RoHS Directive 2011/65/EU	Compliant
EU ELV Directive 2000/53/EC	Compliant
China RoHS 2 Directive MIIT Order No 32, 2016	No Restricted Materials Above Threshold
EU REACH Regulation (EC) No. 1907/2006	Current ECHA Candidate List: JUNE 2022 (224) Candidate List Declared Against: JAN 2022 (223) SVHC > Threshold: Not Yet Reviewed

Halogen Content	Low Halogen - Br, Cl, F, I < 900 ppm per homogenous material. Also BFR/CFR/PVC Free
Solder Process Capability	Not applicable for solder process capability

Product Compliance Disclaimer

This information is provided based on reasonable inquiry of our suppliers and represents our current actual knowledge based on the information they provided. This information is subject to change. The part numbers that TE has identified as EU RoHS compliant have a maximum concentration of 0.1% by weight in homogenous materials for lead, hexavalent chromium, mercury, PBB, PBDE, DBP, BBP, DEHP, DIBP, and 0.01% for cadmium, or qualify for an exemption to these limits as defined in the Annexes of Directive 2011/65/EU (RoHS2). Finished electrical and electronic equipment products will be CE marked as required by Directive 2011/65/EU. Components may not be CE marked. Additionally, the part numbers that TE has identified as EU ELV compliant have a maximum concentration of 0.1% by weight in homogenous materials for lead, hexavalent chromium, and mercury, and 0.01% for cadmium, or qualify for an exemption to these limits as defined in the Annexes of Directive 2000/53/EC (ELV). Regarding the REACH Regulation, the information TE provides on SVHC in articles for this part number is based on the latest European Chemicals Agency (ECHA) 'Guidance on requirements for substances in articles' posted at this URL: <https://echa.europa.eu/guidance-documents/guidance-on-reach>

Compatible Parts



TE Part # 282106-1
AMP SUPERSEAL 1.5 SERIES 4P CA

Customers Also Bought



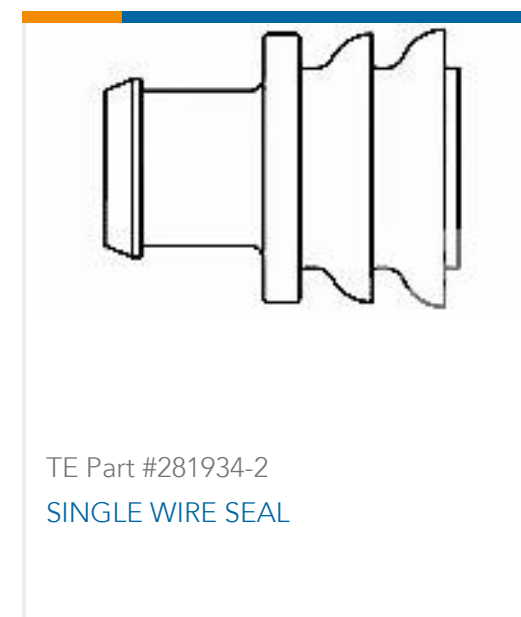
TE Part #282087-1
AMP SUPERSEAL 1.5MM, CONNECTOR HOUSING



TE Part #6-440054-3
HPI 2.0MM,HDR,3POSVERTICAL,BLK



TE Part #180451
FF 250 REC HSG 7P NYLON



TE Part #281934-2
SINGLE WIRE SEAL



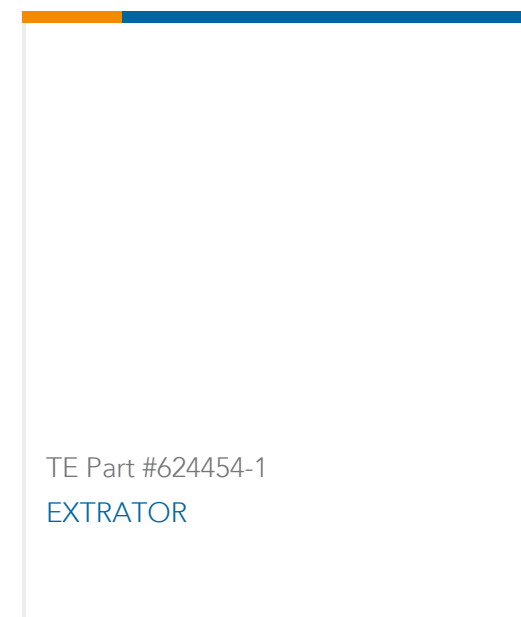
TE Part #34846
SHUR-PLUG,16-14



TE Part #183035-1
MINI MIC RCPT CONT.ACT.LP



TE Part #196660-1
FLOATING SHEAR FRON



TE Part #624454-1
EXTRATOR



Documents

Product Drawings

[BOOT 4 POSN HSG](#)

English

CAD Files

Customer View Model

[ENG_CVM_493581-1_A.3d_igs.zip](#)

English

Customer View Model

[ENG_CVM_493581-1_A.3d_stp.zip](#)

English

Customer View Model

[ENG_CVM_493581-1_A.2d_dxf.zip](#)

English

[3D PDF](#)

English

By downloading the CAD file I accept and agree to the [Terms and Conditions](#) of use.