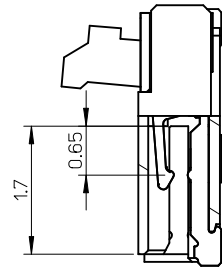
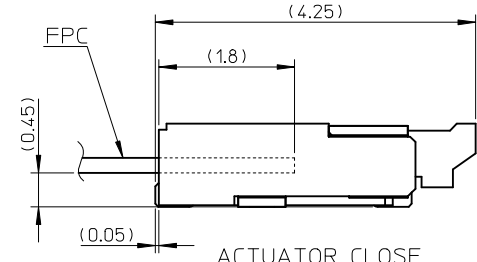
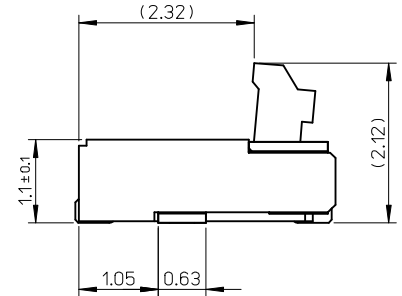
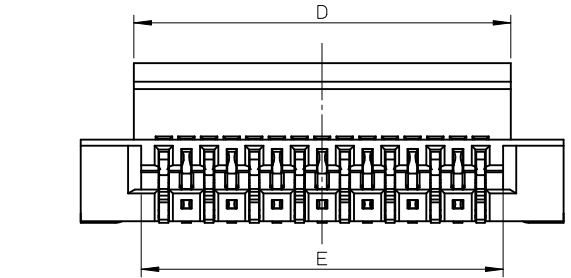


SECTION Z-Z



SECTION Y-Y

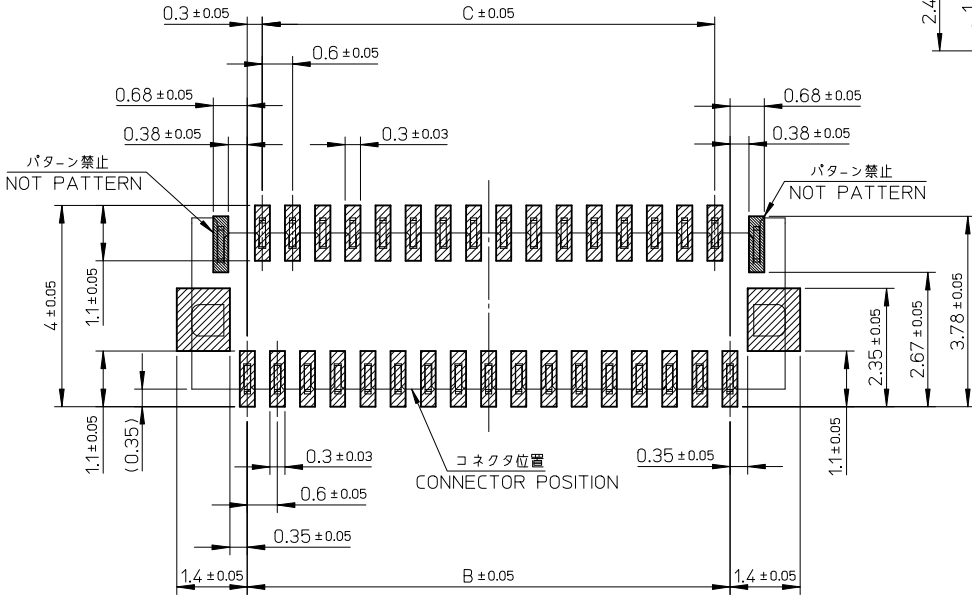


ACTUATOR CLOSE

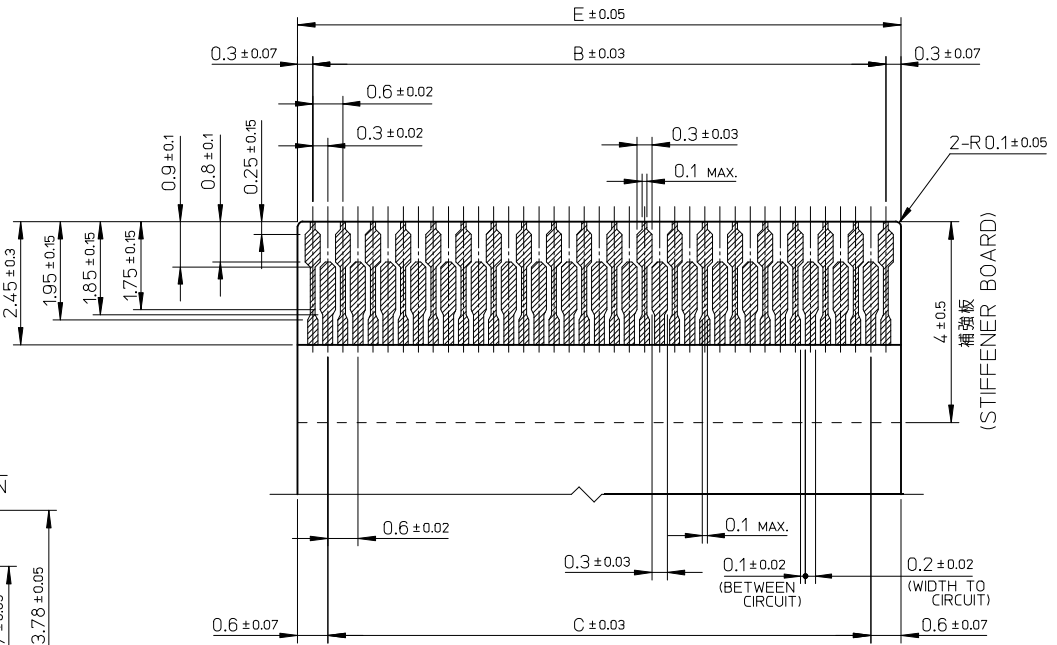
15.6	15.8	14.4	15.0	17.2	501616-5185	501616-5150	51
13.8	14.0	12.6	13.2	15.4	501616-4585	501616-4550	45
12.6	12.8	11.4	12.0	14.2	501616-4185	501616-4150	41
12.0	12.2	10.8	11.4	13.6	501616-3985	501616-3950	39
10.8	11.0	9.6	10.2	12.4	501616-3585	501616-3550	35
E	D	(C)	(B)	A	EMBOSSED TAPE ORDER No.		MATERIAL NO. CIRCUIT

- 部品構成
- ハウジング・・・材質：耐熱性樹脂 黒色 UL94V-0
HOUSING MATERIAL:HEAT RESISTANT POLYMER BLACK UL94-V0
 - 奇数ターミナル・・・材質：銅合金
ODD TERMINAL MATERIAL :COPPER ALLOY
処理：ニッケル下地部分金メッキ（接触部及びテール部）
FINISH :PARTLY GOLD(CONTACT,TAIL) OVER NICKEL PLATING
 - 偶数ターミナル・・・材質：銅合金
EVEN TERMINAL MATERIAL:COPPER ALLOY
処理：ニッケル下地部分金メッキ（接触部及びテール部）
FINISH :PARTLY GOLD(CONTACT,TAIL) OVER NICKEL PLATING
 - アクチュエータ・・・材質：耐熱性樹脂 灰色 UL94V-0
ACTUATOR MATERIAL :HEAT RESISTANT POLYMER GRAY UL94-V0
 - ネイル・・・材質：銅合金
NAIL MATERIAL:COPPER ALLOY
処理：ニッケル下地すずめっき
FINISH :TIN OVER NICKEL PLATING

REVISED EC No: J2009-1320 DRAWN: TAKAHASHI 03/2008/11/21 CHKD: THARUYAMA 2008/11/21 APPR: NUKITA 2008/11/21	DESCRIPTION	GENERAL TOLERANCES (UNLESS SPECIFIED)		DIMENSION STYLE MM ONLY		SCALE 15:1	DESIGN UNITS METRIC	THIRD ANGLE PROJECTION		
		10 UNDER	± 0.2	DRAWN BY K. SATO	DATE 2007/01/26	TITLE 0.3 FPC CONN. E/O H=1.1 HSG ASSY LONG ACTUATOR				
		10 OVER 30 UNDER	± 0.25	CHECKED BY H. HIRATA	DATE 2007/01/26	MATERIAL NO. DOCUMENT NO.				
		30 OVER	± 0.3	APPROVED BY M. SASAO	DATE 2007/01/26	SHEET NO. 1 OF 2				
ANGULAR ± 3 °		DRAFT WHERE APPLICABLE MUST REMAIN WITHIN DIMENSIONS		SEE CHART		MOLEX INCORPORATED SD-501616-007				
THIS DRAWING CONTAINS INFORMATION THAT IS PROPRIETARY TO MOLEX INCORPORATED AND SHOULD NOT BE USED WITHOUT WRITTEN PERMISSION										



参考基板レイアウト (マウント面)
P.C. BOARD PATTERN DIM.(REF.)



適合FPC推奨寸法
仕上がり厚さ : 0.2±0.03
APPLY FPC
RECOMMENDED DIM.
THICKNESS : 0.2±0.03

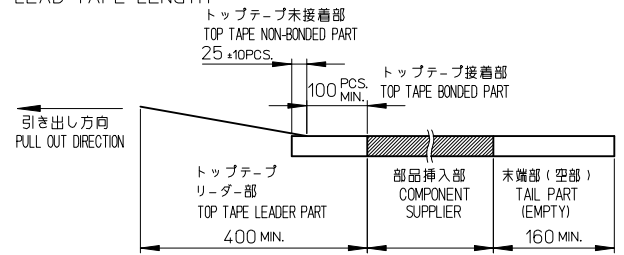
15.6	14.4	15.0	501616-5185	501616-5150	51
13.8	12.6	13.2	501616-4585	501616-4550	45
12.6	11.4	12.0	501616-4185	501616-4150	41
12.0	10.8	11.4	501616-3985	501616-3950	39
10.8	9.6	10.2	501616-3585	501616-3550	35
E	C	B	EMBOSSD TAPE ORDER No.	MATERIAL NO.	CIRCUIT

- 注記
- 基板実装前にアクチュエータを操作しないで下さい。
PLEASE DO NOT OPERATE THE ACTUATOR BEFORE MOUNTING.
必ず基板に実装し、FPCを挿入してからアクチュエータを操作して下さい。
PLEASE OPERATE THE ACTUATOR AFTER MOUNTING ON
THE SUBSTRATE, AND MATING FPC.
 - ELV及びRoHS適合品
ELV AND RoHS COMPLIANT

REVISED EC NO: J2009-1320 DRAWN: TAKAHASHI 03 2008/11/21 CHKD: THARUYAMA 2008/11/21 APPR: NUKITA 2008/11/21	GENERAL TOLERANCES (UNLESS SPECIFIED)		DIMENSION STYLE MM ONLY		SCALE 10:1	DESIGN UNITS METRIC	THIRD ANGLE PROJECTION
	10 UNDER	±0.2	DRAWN BY K. SATO	DATE 2007/01/26	TITLE 0.3 FPC CONN. E/O H=1.1 HSG ASSY LONG ACTUATOR		
	10 OVER 30 UNDER	±0.25	CHECKED BY H. HIRATA	DATE 2007/01/26	MOLEX INCORPORATED		
	30 OVER	±0.3	APPROVED BY M. SASAO	DATE 2007/01/26	DOCUMENT NO. SD-501616-007		
	ANGULAR ±3° DRAFT WHERE APPLICABLE MUST REMAIN WITHIN DIMENSIONS		MATERIAL NO. SEE CHART		SHEET NO. 2 OF 2		
		SIZE A3	THIS DRAWING CONTAINS INFORMATION THAT IS PROPRIETARY TO MOLEX INCORPORATED AND SHOULD NOT BE USED WITHOUT WRITTEN PERMISSION				

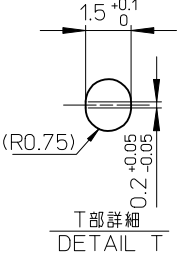
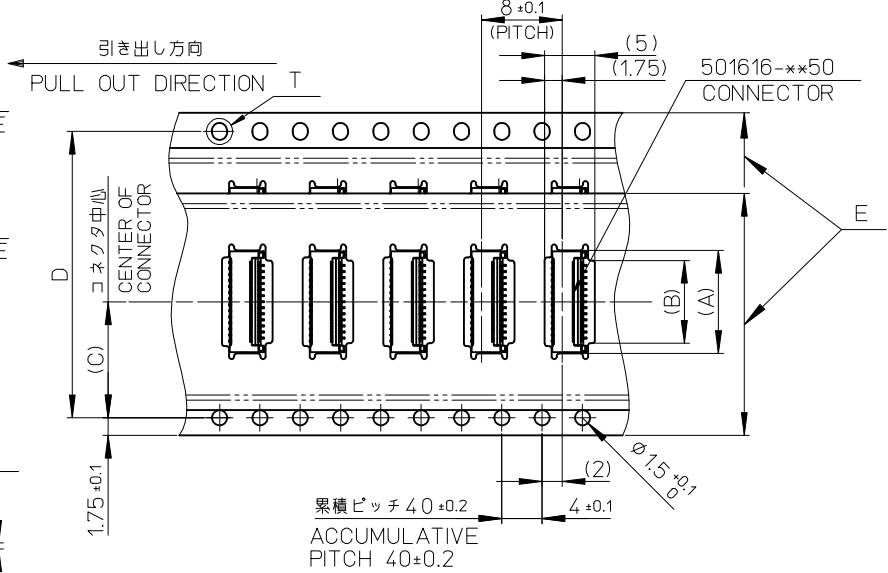
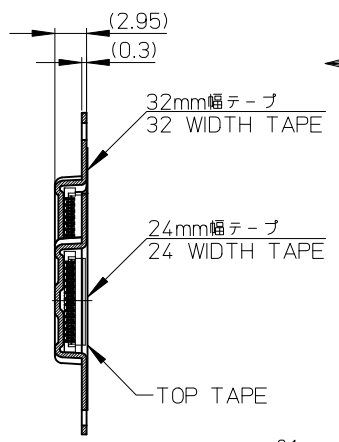
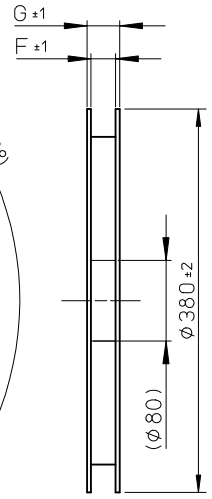
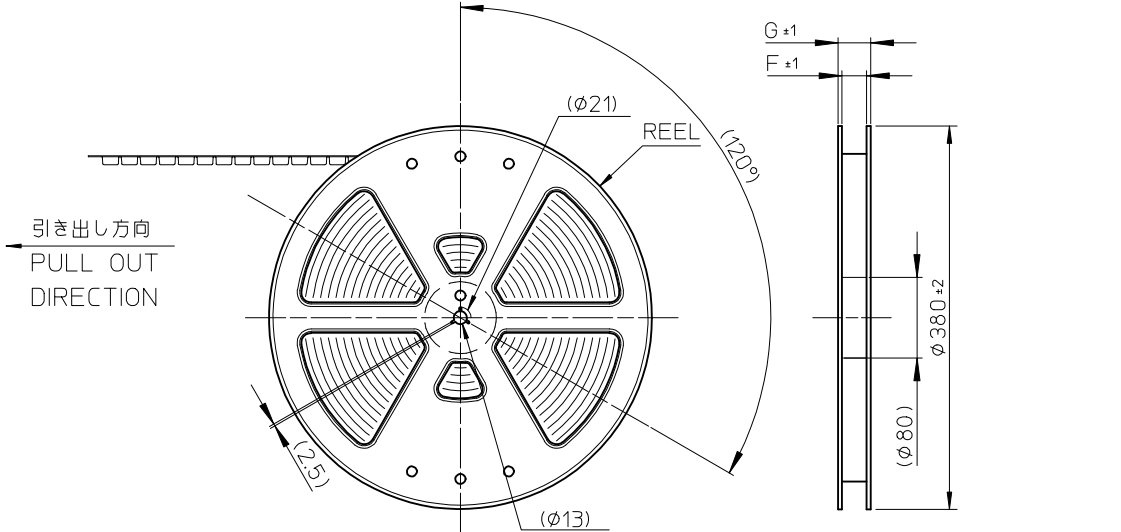
NOTES

- 製品 (501616-**50) の詳細寸法については、図面 SD-501616-007 をご参照下さい。
IN THE PACKAGE, PART NO. 501616-**50 DETAILED DIMENSIONS, REFER TO SALES DRAWING NO. SD-501616-007.
- 梱包数量 : 3000個/リール
NUMBER OF CONNECTORS : 3000 PCS/REEL
- リードテープ長さ
LEAD TAPE LENGTH



- 材料
キャリアテープ : ポリスチレン (PS)
トップテープ : PET, PE, PEF
リール : ポリスチレン (PS) <リサイクル材を含む>
MATERIAL
CARRIER TAPE : POLYSTYRENE (PS)
TOP TAPE : PET, PE, PEF
REEL : POLYSTYRENE (PS) <RECYCLE MATERIAL CONTAINED>
- ELV及びRoHS適合品
ELV AND RoHS COMPLIANT

37.4	33.4	32±0.3	28.4	14.2	15.4	17.4	501616-5185	51
					13.6	15.6	501616-4585	45
29.4	25.4	24±0.3	++	11.5	12.4	14.4	501616-4185	41
					11.8	13.8	501616-3985	39
					10.6	12.6	501616-3585	35
G	F	E キャリアテープ幅 EMBOSSED TAPE WIDTH	D	C	B	A	EMBOSSED PACKAGE オーダー番号 ORDER No.	極数 CIRCUIT



REVISED	EC NO: J2009-1784	2009/01/26	DRWN:MKAWABATA	2009/01/26	CHKD:HSHIINOYAMA	2009/01/26	APPR:HSHIINOYAMA	2009/01/26
	GENERAL TOLERANCES (UNLESS SPECIFIED)							
	10 UNDER		± ---					
	10 OVER 30 UNDER		± ---					
30 OVER		± ---						
ANGULAR		± --- °						
DRAFT WHERE APPLICABLE MUST REMAIN WITHIN DIMENSIONS								
SIZE	THIS DRAWING CONTAINS INFORMATION THAT IS PROPRIETARY TO MOLEX INCORPORATED AND SHOULD NOT BE USED WITHOUT WRITTEN PERMISSION							

DIMENSION STYLE		SCALE		DESIGN UNITS		THIRD ANGLE PROJECTION	
MM ONLY		---		METRIC			
DRAWN BY		DATE		TITLE			
K. SATO		2007/05/14		0.3 FPC CONN. H=1.1 EMBSTP PKG (LONG-ACT)			
CHECKED BY		DATE		MOLEX MOLEX INCORPORATED			
H. HIRATA		2007/05/14		DOCUMENT NO.			
APPROVED BY		DATE		SHEET NO.			
M. SASAO		2007/05/14		SD-501616-008			
MATERIAL NO.		SEE CHART		1 OF 1			