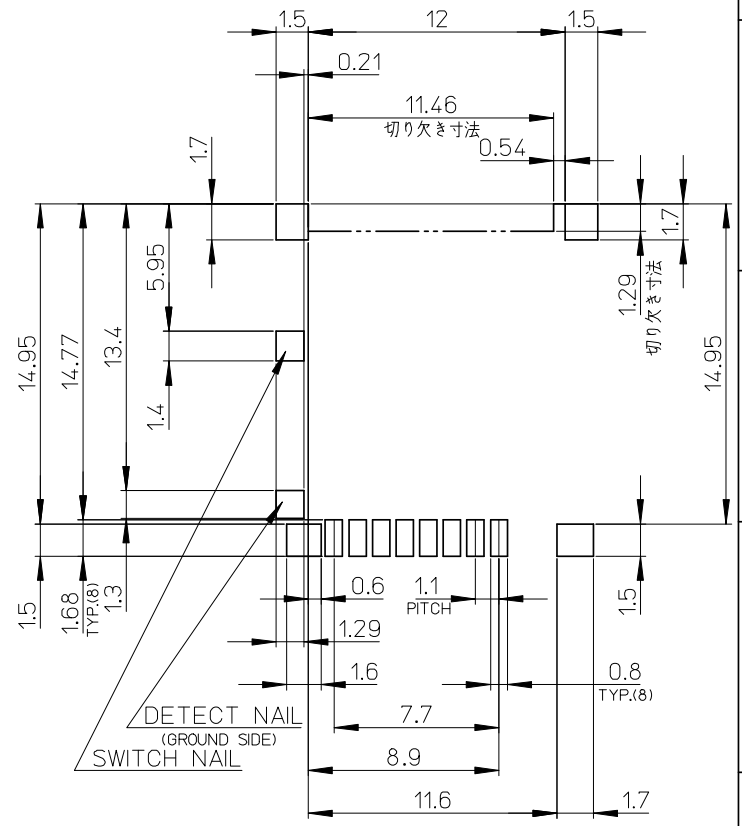
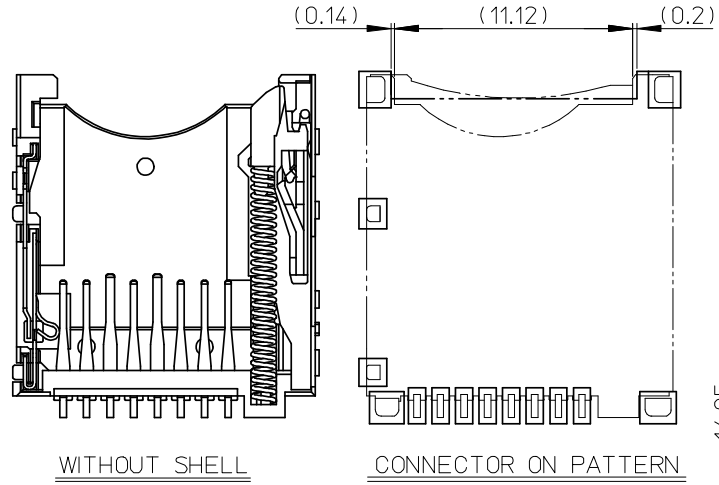
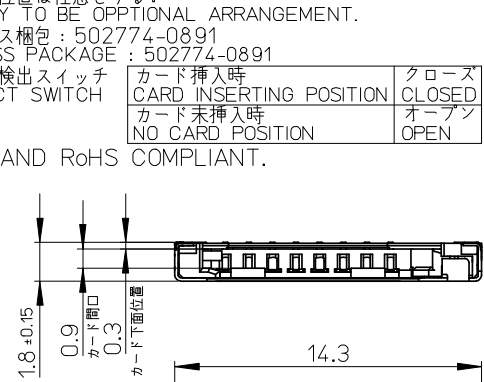
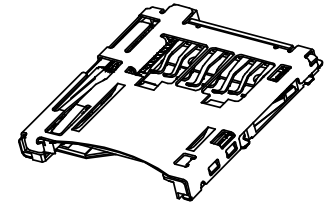


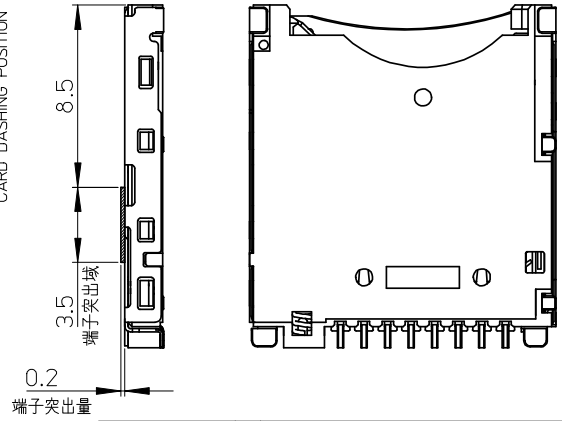
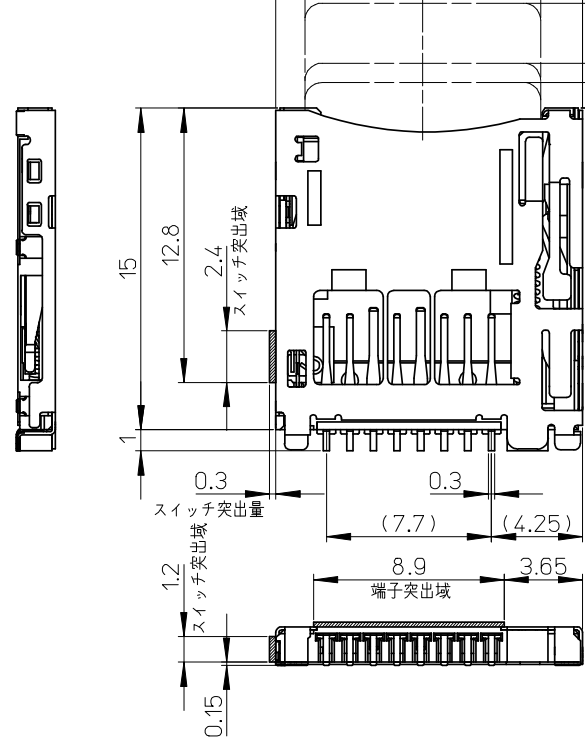
NOTES

1. 端子とネイルの平坦度は 0.1 MAX.
COPLANARITY OF TERMINAL AND NAIL TO BE 0.1 MAX.
2. ロット印字は任意とする。
LOT NUMBERING TO BE OPTIONAL ARRANGEMENT.
3. 肉抜き位置は任意とする。
CAVITY TO BE OPTIONAL ARRANGEMENT.
4. エンボス梱包 : 502774-0891
EMBOSS PACKAGE : 502774-0891
5. カード検出スイッチ
DETECT SWITCH
6. ELV AND RoHS COMPLIANT.

カード挿入時 CARD INSERTING POSITION	クローズ CLOSED
カード未挿入時 NO CARD POSITION	オープン OPEN



RECOMMENDED PCB PATTERN LAYOUT
GENERAL TOLERANCE : ±0.05



REVISED EC NO: J2008-2095 DRWN:YA0YAGI 2007/11/22 CHKD:KTOYODA 2008/01/07 APPR:NUKITA 2008/01/07	GENERAL TOLERANCES (UNLESS SPECIFIED)		DIMENSION STYLE MM ONLY	SCALE 4:1	502774-0811	MODEL NO.
	10 UNDER	±0.2	DRAWN BY JUNH.	DATE 2007/07/29	DESIGN UNITS METRIC	THIRD ANGLE PROJECTION
	10 OVER 30 UNDER	±0.25	CHECKED BY K. TOYOTA	DATE 2007/07/29	MICRO SD CONN. REVERSE	
	30 OVER	±0.3	APPROVED BY N. UKITA	DATE 2007/07/29	MOLEX INCORPORATED	
	ANGULAR ±1 °		MATERIAL NO.	DOCUMENT NO.	SHEET NO.	
DRAFT WHERE APPLICABLE MUST REMAIN WITHIN DIMENSIONS			SEE TABLE	SD-502774-001	1 OF 2	
THIS DRAWING CONTAINS INFORMATION THAT IS PROPRIETARY TO MOLEX INCORPORATED AND SHOULD NOT BE USED WITHOUT WRITTEN PERMISSION						

F

E

D

C

B

A

PARTS	QTY	MATERIAL	FINISH
ハウジング HOUSING	1	ガラス入り耐熱樹脂 (LCP), UL94V-0 色:黒 HEAT RESISTANCE POLYMER (LCP), UL94V-0, BLACK	---
ハートカム HEART CAM	1	ガラス入り耐熱樹脂 (LCP), UL94V-0 色:黒 HEAT RESISTANCE POLYMER (LCP), UL94V-0, BLACK	---
ターミナル TERMINAL	8	銅合金 COPPER ALLOY	接点部 : 金メッキ 0.5 μm MIN. CONTACT AREA : GOLD 0.5 μm MIN. 下地 : ニッケルメッキ 1.0 μm MIN. UNDER PLATING : NICKEL 1.0 μm MIN. 半田付け部 : 錫メッキ 2.0 μm MIN. SOLDER AREA : TIN 2.0 μm MIN.
ディテクトネイル DETECT NAIL	1	銅合金 COPPER ALLOY	接点部 : 金メッキ 0.2 μm MIN. CONTACT AREA : GOLD 0.2 μm MIN. 下地 : ニッケルメッキ 1.0 μm MIN. UNDER PLATING : NICKEL 1.0 μm MIN.
スイッチネイル SWITCH NAIL	1	銅合金 COPPER ALLOY	接点部 : 金メッキ 0.2 μm MIN. CONTACT AREA : GOLD 0.2 μm MIN. 下地 : ニッケルメッキ 1.0 μm MIN. UNDER PLATING : NICKEL 1.0 μm MIN. 半田付け部 : 錫メッキ 1.0 μm MIN. SOLDER AREA : TIN 1.0 μm MIN.
メタルシェル METAL SHELL	1	ステンレス鋼 STAINLESS STEEL	全面 : ニッケルメッキ 0.5 μm MIN. ALLOVER : NICKEL 0.5 μm MIN. 部分金メッキ 0.02 μm MIN. SELECTIVE GOLD 0.02 μm MIN.
ピン PIN	1	ステンレス鋼 STAINLESS STEEL	---
スプリング SPRING	1	ピアノ線 SWP	全面 : ニッケルメッキ ALLOVER : NICKEL

REVISED EC NO: J2008-2095 DRWN:YA0YAGI 2007/11/22 CH:KD:TOYODA 2008/01/07 APPR:NUKITA 2008/01/07	GENERAL TOLERANCES (UNLESS SPECIFIED)		DIMENSION STYLE MM ONLY		SCALE ---	DESIGN UNITS METRIC	THIRD ANGLE PROJECTION	
	10 UNDER	±---	DRAWN BY	DATE	TITLE			
	10 OVER 30 UNDER	±---	JUNH.	2007/07/29	MICRO SD CONN. REVERSE			
	30 OVER	±---	CHECKED BY	DATE	APPROVED BY			
	ANGULAR ±--- °		K. TOYOTA	2007/07/29	N. UKITA 2007/07/29			
DRAFT WHERE APPLICABLE MUST REMAIN WITHIN DIMENSIONS	MATERIAL NO. SEE SHEET 1		DOCUMENT NO. SD-502774-001		SHEET NO. 2 OF 2		MOLEX INCORPORATED	
B	THIS DRAWING CONTAINS INFORMATION THAT IS PROPRIETARY TO MOLEX INCORPORATED AND SHOULD NOT BE USED WITHOUT WRITTEN PERMISSION							

10

9

8

7

6

5

4

3

2

1

F

F

E

E

D

D

C

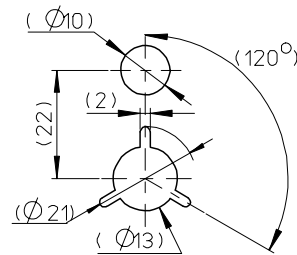
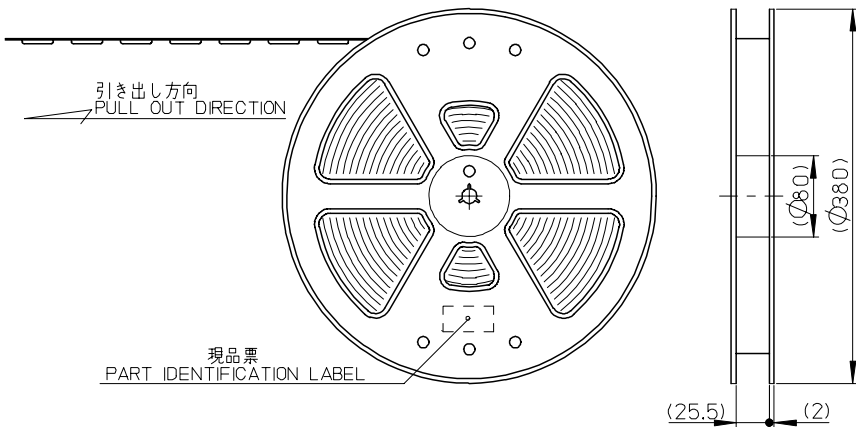
C

B

B

A

A

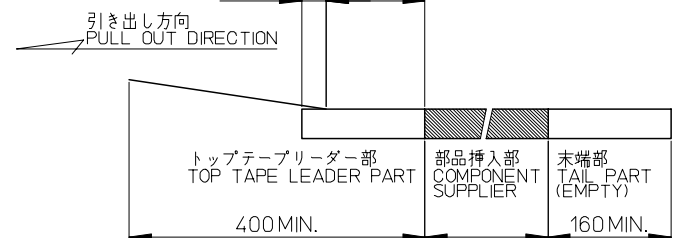


NOTES

- 梱包数量 : 1000個/リール
NUMBER OF CONNECTORS : 1000PCS./REEL
- リードテープ長さ
LEAD TAPE LENGTH

トップテープ未接着部 TOP TAPE NON-BONDED PART 50 ±50	トップテープ接着部 (空エンボス) TOP TAPE BONDED PART (EMPTY) 20PCS. MIN.
--	--
- 材料
MATERIAL

キャリアテープ : ポリスチレン (PS)	トップテープ : PET, PE, PEF	リール : ポリスチレン(PS) <リサイクル材を含む>
CARRIER TAPE : POLYSTYLENE(PS)	TOP TAPE : PET, PE, PEF	REEL : POLYSTYLENE(PS) <RECYCLE MATERIAL CONTAINED>
- コネクタ番号 : 502774-0811
CONNECTOR NO. : 502774-0811



RELEASED EC NO: J2008-0265 DRWN: JHAN01 CHKDK: TOYOTA APPR: NUKITA	2007/08/03	2007/08/03	2007/08/06	GENERAL TOLERANCES (UNLESS SPECIFIED)		DIMENSION STYLE MM ONLY		SCALE ---	DESIGN UNITS METRIC	THIRD ANGLE PROJECTION
	10 UNDER		±0.2	DRAWN BY JUNH.		DATE 2007/06/29		TITLE MICRO SD CONN. REVERSE EMBOSSD TAPE PACKAGE -LEAD FREE-		
	10 OVER 30 UNDER		±0.25	CHECKED BY K. TOYODA		DATE 2007/06/29		MOLEX INCORPORATED		
	30 OVER		±0.3	APPROVED BY N. UKITA		DATE 2007/06/29		DOCUMENT NO. SD-502774-002		SHEET NO. 1 OF 2
	ANGULAR		±1 °	MATERIAL NO. SEE SHEET 2		DATE				
0	DESCRIPTION	DRAFT WHERE APPLICABLE MUST REMAIN WITHIN DIMENSIONS		THIS DRAWING CONTAINS INFORMATION THAT IS PROPRIETARY TO MOLEX INCORPORATED AND SHOULD NOT BE USED WITHOUT WRITTEN PERMISSION						

10 9 8 7 6 5 4 3 2 1

F

E

D

C

B

A

F

E

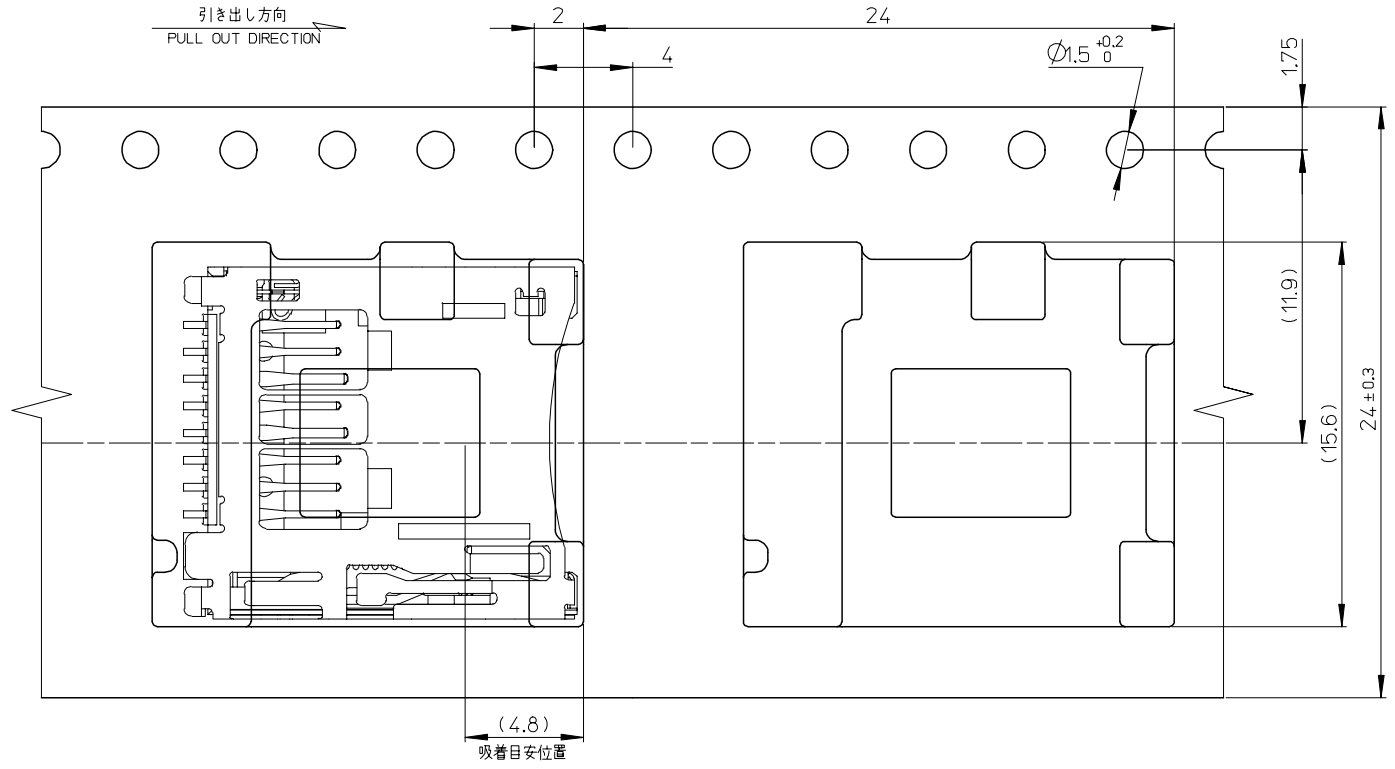
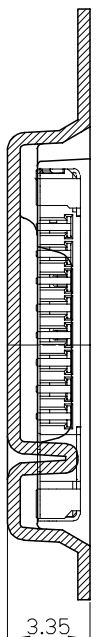
D

C

B

A

引き出し方向
PULL OUT DIRECTION



502774-0811	502774-0891
CONNECTOR	MATERIAL NO.

SEE SHEET 1 EC NO: J2008-0265 DRWN: JHANO1 2007/08/03 CHKDK: TOYOTA 2007/08/03 APPR: NUKITA 2007/08/06	GENERAL TOLERANCES (UNLESS SPECIFIED)		DIMENSION STYLE MM ONLY		SCALE 5:1	DESIGN UNITS METRIC	THIRD ANGLE PROJECTION	
	10 UNDER	±0.2	DRAWN BY JUNH.		DATE 2007/06/29		TITLE MICRO SD CONN. REVERSE EMBOSSD TAPE PACKAGE -LEAD FREE-	
	10 OVER 30 UNDER	±0.25	CHECKED BY K. TOYOTA		DATE 2007/06/29		MOLEX INCORPORATED	
	30 OVER	±0.3	APPROVED BY N. UKITA		DATE 2007/06/29		DOCUMENT NO. SD-502774-002	
	ANGULAR	±1 °	MATERIAL NO.		SEE CHART		SHEET NO. 2 OF 2	
0	DRAFT WHERE APPLICABLE MUST REMAIN WITHIN DIMENSIONS		SIZE A3		THIS DRAWING CONTAINS INFORMATION THAT IS PROPRIETARY TO MOLEX INCORPORATED AND SHOULD NOT BE USED WITHOUT WRITTEN PERMISSION			