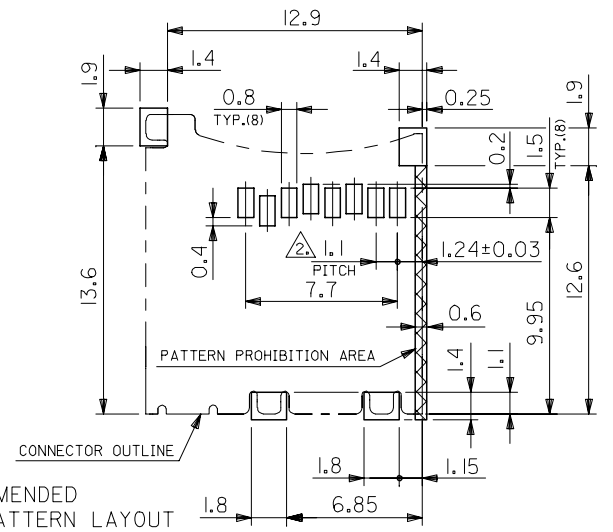
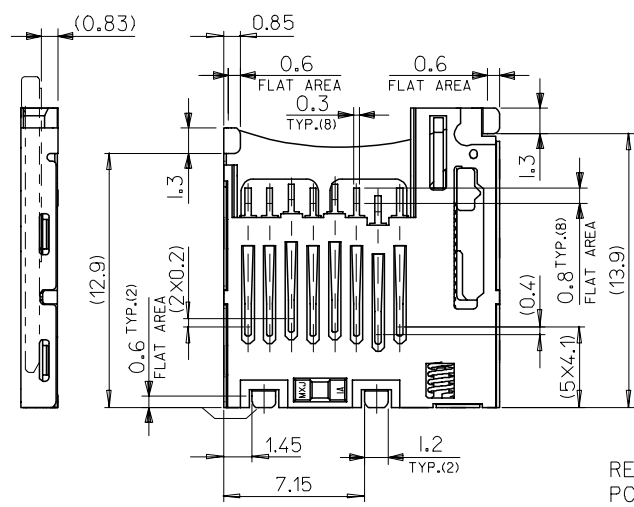
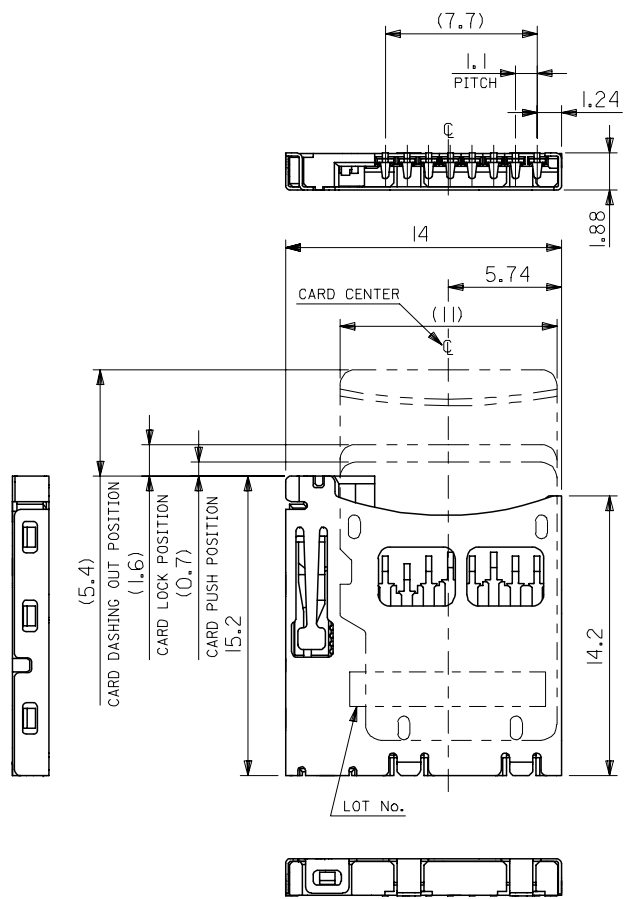


PARTS	QTY	MATERIAL	FINISH
ハウジング HOUSING	1	ガラス入り耐熱樹脂 (LCP), UL94V-0 色:黒 HEAT RESISTANCE POLYMER (LCP), UL94V-0, BLACK	—
スライダーカム SLIDER CAM	1	ガラス入り耐熱樹脂 (LCP), UL94V-0 色:黒 HEAT RESISTANCE POLYMER (LCP), UL94V-0, BLACK	—
ターミナル TERMINAL	8	コルソン銅 CORSON COPPER	接点部:金メッキ 0.5μm MIN. CONTACT AREA: GOLD 0.5μm MIN. 下地:ニッケルメッキ 2.0μm MIN. UNDER PLATING: NICKEL 2.0μm MIN. 半田付け部:錫メッキ 1.0μm MIN. SOLDER AREA: TIN 1.0μm MIN.
メタルカバー METAL COVER	1	ステンレス鋼 STAINLESS STEEL	全面:ニッケルメッキ 1.0μm MIN. ALL OVER: NICKEL 1.0μm MIN.
ピン PIN	1	ステンレス鋼 STAINLESS STEEL	—
スプリング SPRING	1	ピアノ線 SWP	全面:ニッケルメッキ ALL OVER: NICKEL



RECOMMENDED  
PCB PATTERN LAYOUT  
(GENERAL TOLERANCE : ±0.05)

NOTES

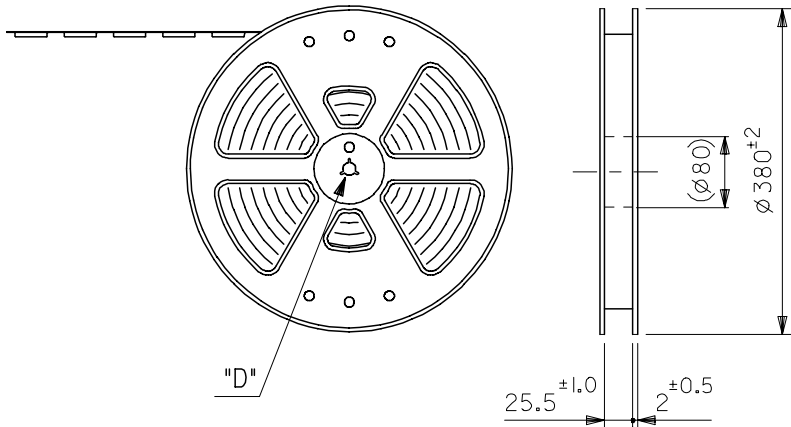
- 1. ターミナル及びネイルの平坦度は 0.1 MAX.  
TERMINAL AND NAIL COPLANARITY TO BE 0.1 MAX.
- △ 公差非累積  
TOLERANCE : NON-CUMULATIVE

EMBOSSED TAPE	500873-0801	500873-08**
CONNECTOR ONLY	500873-0809	
PACKAGE	MATERIAL No.	MODEL No.

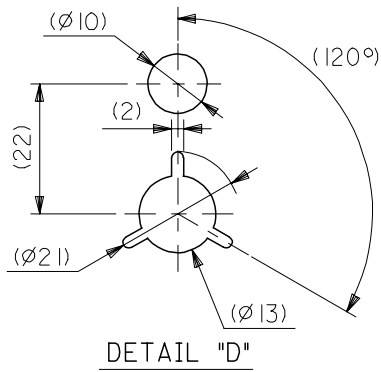
REVISED EC NO: J2005-0240 DRAWN: NABEI 2004/07/29 CHKD: SMARUYAM 2004/08/02 APPR: MSASAO 2004/08/03	GENERAL TOLERANCES (UNLESS SPECIFIED)		DIMENSION STYLE MM ONLY		SCALE 4:1	DESIGN UNITS METRIC	THIRD ANGLE PROJECTION
	10 UNDER	±0.2	DRAWN BY SMARUYAM	DATE '03/08/28	TITLE TFR MEMORY CARD CONN. PUSH/PUSH NORMAL TYPE		
	10 OVER 30 UNDER	±0.25	CHECKED BY MSASAO	DATE '03/08/28			
	30 OVER	±0.3	APPROVED BY MSASAO	DATE '03/08/28			
ANGULAR ±3 °		DRAFT WHERE APPLICABLE MUST REMAIN WITHIN DIMENSIONS		MATERIAL NO. SEE CHART		DOCUMENT NO. SD-500873-001	SHEET NO. 1 OF 1
THIS DRAWING CONTAINS INFORMATION THAT IS PROPRIETARY TO MOLEX INCORPORATED AND SHOULD NOT BE USED WITHOUT WRITTEN PERMISSION							

10 9 8 7 6 5 4 3 2 1

引き出し方向  
PULL OUT DIRECTION



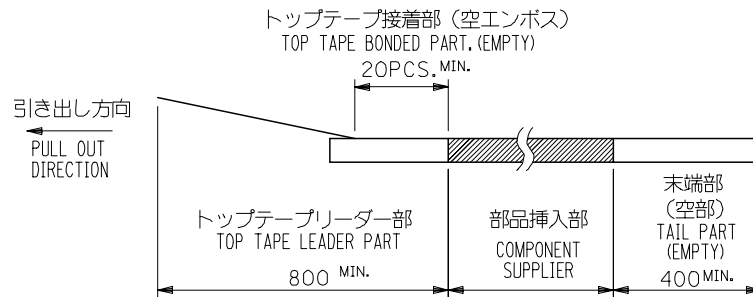
"D"



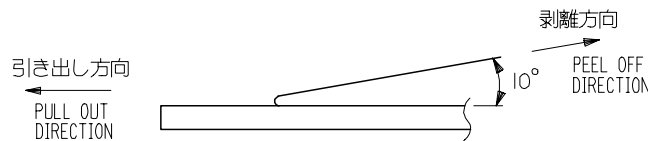
DETAIL "D"

NOTES

1. 製品詳細寸法については、SD図面を参照下さい。  
RE DETAILED DIMENSION, SEE SALES DRAWING.
2. 梱包数量：1400個/リール  
NUMBER OF CONNECTORS : 1400PCS/REEL
3. リードテープ長さ LEAD TAPE LENGTH



4. トップテープの剥離強度：0.1N～1.3N (10.2gf～130gf) (剥離方向は下図参照) 尚、本規格値は出荷時に適用。(但し、輸送時に剥離が発生しないこと。)  
PEELING OFF FORCE OF TOP TAPE : 0.1N～1.3N (10.2gf～130gf)  
(PEELING DIRECTION AS SHOWN IN FOLLOWING FIG.)  
THIS REQUIREMENT SHOULD BE APPLIED AT SHIPMENT.  
PEEL OFF SHOULD NOT BE ALLOWED , DURING TRANSPORTATION.



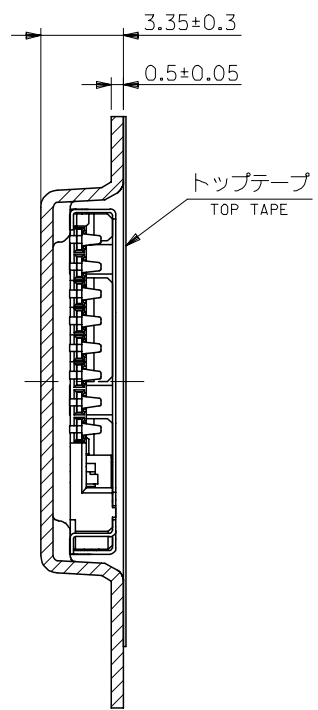
5. 材料 (MATERIAL)

キャリアテープ (CARRIER TAPE) : ポリプロピレン (POLYPROPYLENE)  
トップテープ (TOPTAPE) : PET, PE, PEF  
リール (REEL) : ポリスチレン (PS) <リサイクル材を含む>  
POLYSTYRENE (PS) <RECYCLE MATERIAL CONTAINED>

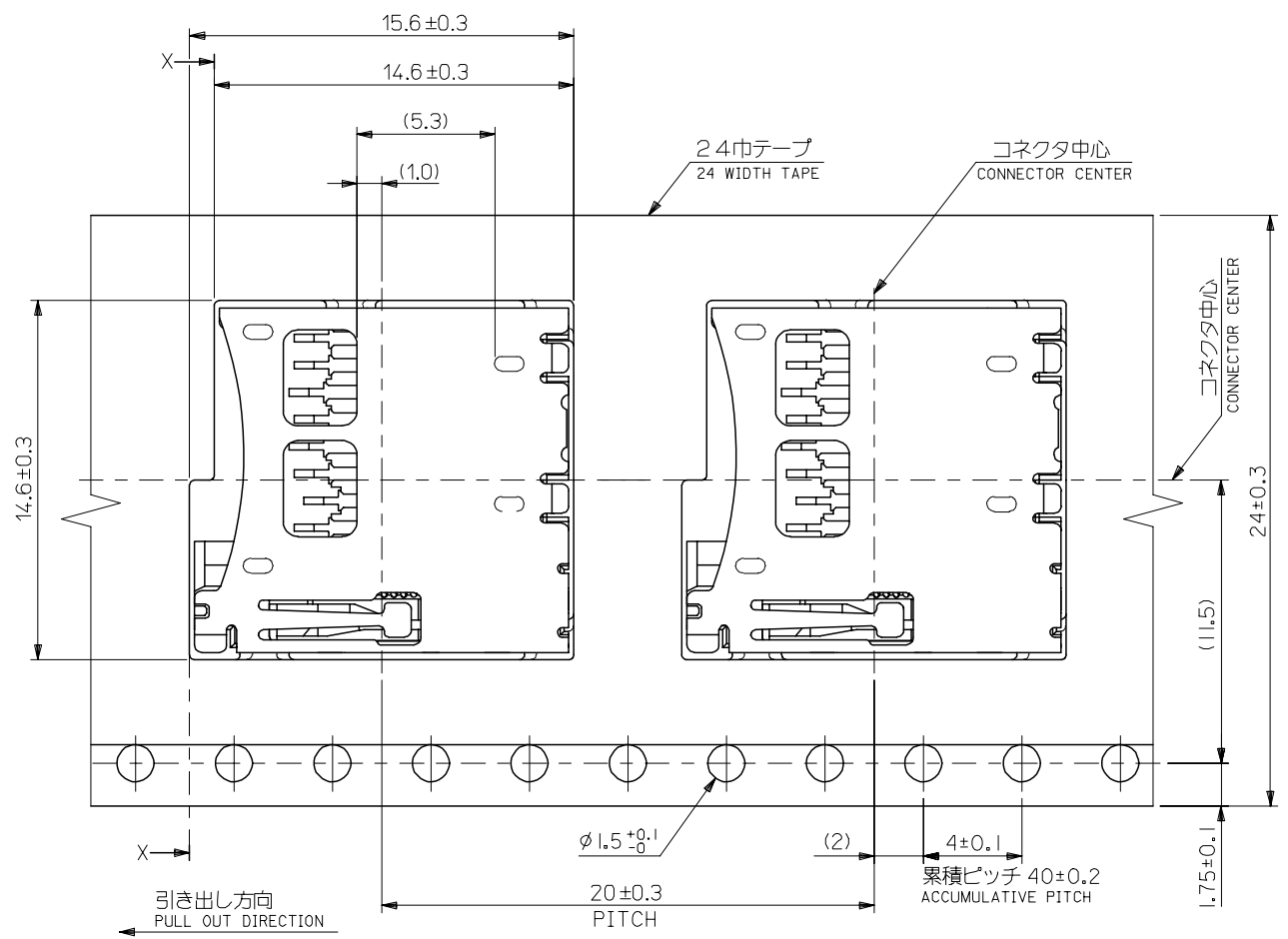
REVISED EC NO: J2005-3083 DRAWN: AOYAGI 2005/04/13 CHKD: TANAKA 2005/04/14 APPR: NUKITA 2005/04/22 REV B	GENERAL TOLERANCES (UNLESS SPECIFIED)		DIMENSION STYLE MM ONLY		SCALE ---	DESIGN UNITS METRIC	THIRD ANGLE PROJECTION	
	10 UNDER	±0.2	DRAWN BY S. MARUYA		DATE 2004/06/30	TITLE TFR CARD CONN. EMBOSSSED TAPE PACKAGE		
	10 OVER 30 UNDER	±0.25	CHECKED BY M. SASAO		DATE 2004/06/30			
	30 OVER	±0.3	APPROVED BY M. SASAO		DATE 2004/06/30	MOLEX INCORPORATED		
	ANGULAR	±3 °	MATERIAL NO. 500873-0801		DOCUMENT NO. SD-500873-002			
DRAFT WHERE APPLICABLE MUST REMAIN WITHIN DIMENSIONS		SIZE A3 THIS DRAWING CONTAINS INFORMATION THAT IS PROPRIETARY TO MOLEX INCORPORATED AND SHOULD NOT BE USED WITHOUT WRITTEN PERMISSION						

10 9 8 7 6 5 4 3 2 1

F  
E  
D  
C  
B  
A



SECTION X-X



F  
E  
D  
C  
B  
A

REVISED EC NO: J2005-3083 DRAWN: AOYAGI 2005/04/13 CHKD: TANAKA 2005/04/14 APPR: NUKITA 2005/04/22	GENERAL TOLERANCES (UNLESS SPECIFIED)		DIMENSION STYLE MM ONLY		SCALE ---	DESIGN UNITS METRIC	THIRD ANGLE PROJECTION		
	10 UNDER	±0.2	DRAWN BY S. MARUYA		DATE 2004/06/30	TITLE TFR CARD CONN. EMBOSSSED TAPE PACKAGE			
	10 OVER 30 UNDER	±0.25	CHECKED BY M. SASAO		DATE 2004/06/30				
	30 OVER	±0.3	APPROVED BY M. SASAO		DATE 2004/06/30	MOLEX INCORPORATED			
	ANGULAR	±3 °	MATERIAL NO. 500873-0801		DOCUMENT NO. SD-500873-002				
DRAFT WHERE APPLICABLE MUST REMAIN WITHIN DIMENSIONS		SIZE A3				THIS DRAWING CONTAINS INFORMATION THAT IS PROPRIETARY TO MOLEX INCORPORATED AND SHOULD NOT BE USED WITHOUT WRITTEN PERMISSION			

9 8 7 6 5 4 3 2 1 EN-02JA(021)