

注記
NOTES

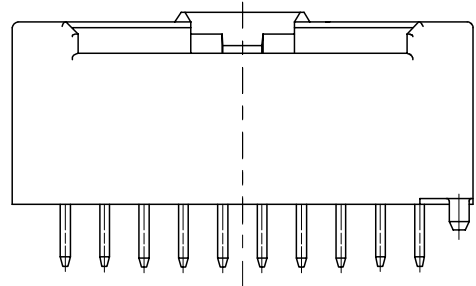
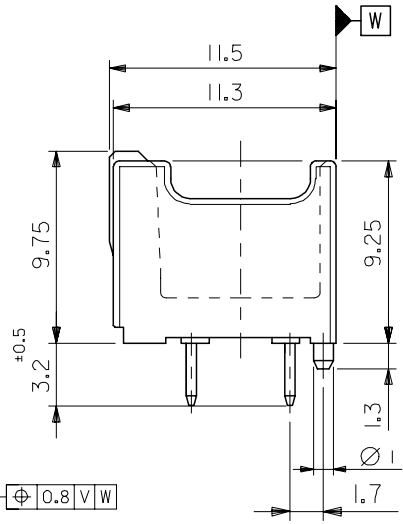
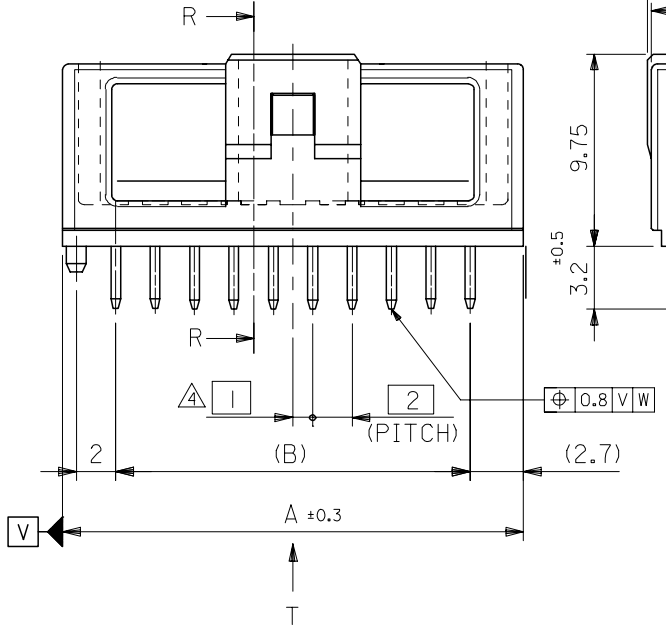
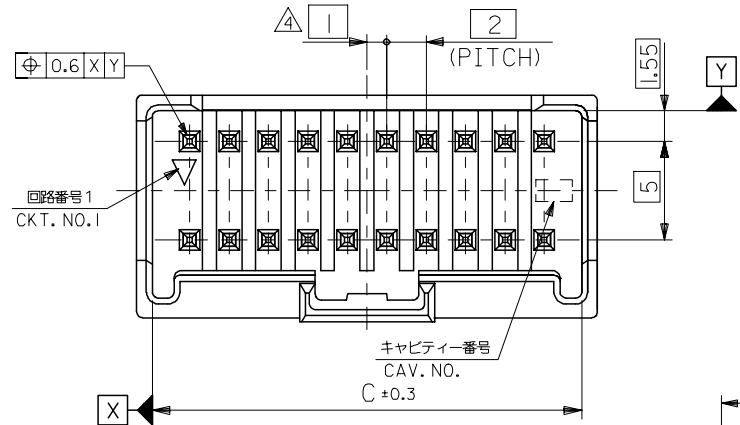
1. 材料 MATERIAL
 ピン : 黄銅, ニッケル下地鍍メッキ
 PIN : BRASS, Sn OVER Ni PLATED
 ハウジング : PBT (ガラス入り: 15%), UL94V-0
 HOUSING : PBT (G.F.: 15%), UL94V-0
2. 嵌合相手 : 51353シリーズ
 MATE WITH : 51353 SERIES

△4 (全極数/2) = 偶数の場合に適用。
 APPLY FOR (CIRCUIT/2) = EVEN

△3 製品番号
 MATERIAL NO.
 501844-***1*

極数CIRCUIT SIZE | 色 COLOR

ナチュラル (白) NATURAL (WHITE)	0
黒 BLACK	1
赤 RED	2
黄 YELLOW	3
青 BLUE	4
桃 PINK	5
緑 GREEN	6
茶 BROWN	7
橙 ORANGE	8
紫 VIOLET	9



41.8	38	43.4	501844-401*	40
39.8	36	41.4	-381*	38
37.8	34	39.4	-361*	36
35.8	32	37.4	-341*	34
33.8	30	35.4	-321*	32
31.8	28	33.4	-301*	30
29.8	26	31.4	-281*	28
27.8	24	29.4	-261*	26
25.8	22	27.4	-241*	24
23.8	20	25.4	-221*	22
21.8	18	23.4	-201*	20
19.8	16	21.4	-181*	18
17.8	14	19.4	-161*	16
15.8	12	17.4	-141*	14
13.8	10	15.4	-121*	12
11.8	8	13.4	-101*	10
9.8	6	11.4	501844-081*	8
C	B	A	△3 MATERIAL NO. CKT.	

RELEASED EC NO: J2005-3754 DRW:KTAKAHASHI 2005/06/17 CHK:DKASAKAWA 2005/06/17 APPR:SI CHIKAWA 2005/06/17	GENERAL TOLERANCES (UNLESS SPECIFIED)		DIMENSION STYLE MM ONLY		SCALE ---	DESIGN UNITS METRIC	THIRD ANGLE PROJECTION
	10 UNDER	±0.2	DRAWN BY KTAKAHASHI	DATE 05/06/16	TITLE 2.0MM W/B DUAL CONN DIP PLUG ASS'Y ST(WITH BOSS) -LEAD FREE-		
	10 OVER 30 UNDER	±0.25	CHECKED BY KASAKAWA	DATE 05/06/16	MOLEX INCORPORATED		
	30 OVER	±0.3	APPROVED BY SI CHIKAWA	DATE 05/06/16	DOCUMENT NO. SD-501844-001		
	ANGULAR	±3 °	MATERIAL NO. 501844-***1*		SHEET NO. 1 OF 2		
DRAFT WHERE APPLICABLE MUST REMAIN WITHIN DIMENSIONS		SIZE A3		THIS DRAWING CONTAINS INFORMATION THAT IS PROPRIETARY TO MOLEX INCORPORATED AND SHOULD NOT BE USED WITHOUT WRITTEN PERMISSION			

10 9 8 7 6 5 4 3 2 1

F

F

E

E

D

D

C

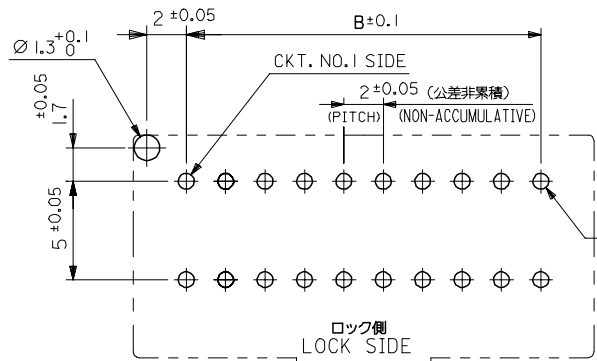
C

B

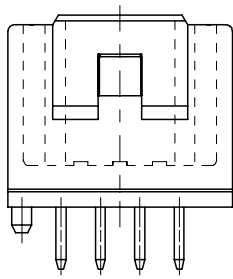
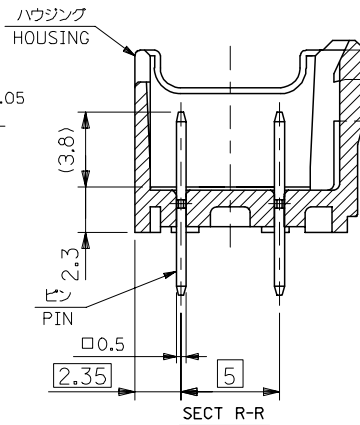
B

A

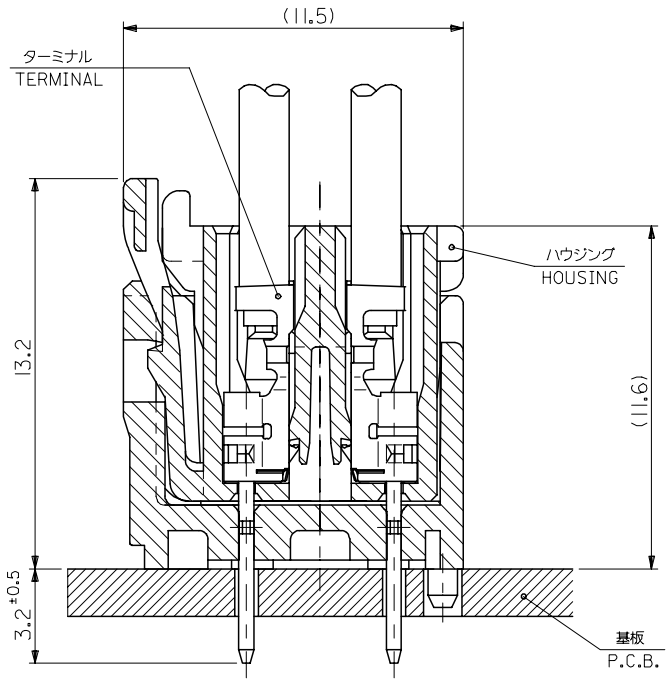
A



基板取付穴推奨寸法 (マウント面)
 RECOMMENDED P.C.BOARD
 HOLE DIMENSION
 (MOUNTING SIDE)
 (t=1.2-1.6)

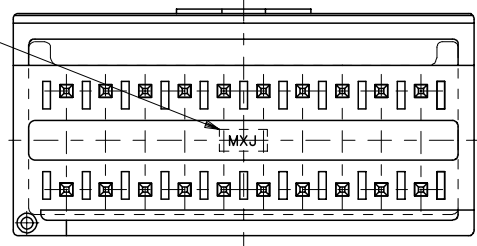


8 CIRCUIT



嵌合断面図 (参考)
 MATED DRAWING (REF.)

トレードマーク
 TRADE MARK



VIEW "T"

RELEASED EC NO: J2005-3754 DRW:KTAKAHASHI 2005/06/17 CHK:DKASAKAWA 2005/06/17 APPR:SCHIKAWA 2005/06/17	GENERAL TOLERANCES (UNLESS SPECIFIED)		DIMENSION STYLE MM ONLY		SCALE ---	DESIGN UNITS METRIC	THIRD ANGLE PROJECTION	
	10 UNDER	± 0.2	DRAWN BY KTAKAHASHI	DATE 05/06/16	TITLE 2.0MM W/B DUAL CONN DIP PLUG ASS'Y ST(WITH BOSS) -LEAD FREE-			
	10 OVER 30 UNDER	± 0.25	CHECKED BY KASAKAWA	DATE 05/06/16				
	30 OVER	± 0.3	APPROVED BY SCHIKAWA	DATE 05/06/16	MOLEX INCORPORATED			
	ANGULAR	± 3 °	MATERIAL NO. 501844-**1*	DOCUMENT NO. SD-501844-001				
0	DRAFT WHERE APPLICABLE MUST REMAIN WITHIN DIMENSIONS		SIZE A3		THIS DRAWING CONTAINS INFORMATION THAT IS PROPRIETARY TO MOLEX INCORPORATED AND SHOULD NOT BE USED WITHOUT WRITTEN PERMISSION			